



SuperServer®

SSG-542B-DE1CR90

SSG-542B-E1CR90

SSG-542B-E1CR60

USER'S MANUAL

Revision 1.0 (MNL-2822)

The information in this User's Manual has been carefully reviewed and is believed to be accurate. The vendor assumes no responsibility for any inaccuracies that may be contained in this document, and makes no commitment to update or to keep current the information in this manual, or to notify any person or organization of the updates. Note: For the most up-to-date version of this manual, see our website at <https://www.supermicro.com>.

Super Micro Computer, Inc. ("Supermicro") reserves the right to make changes to the product described in this manual at any time and without notice. This product, including software and documentation, is the property of Supermicro and/or its licensors, and is supplied only under a license. Any use or reproduction of this product is not allowed, except as expressly permitted by the terms of said license.

IN NO EVENT WILL Super Micro Computer, Inc. BE LIABLE FOR DIRECT, INDIRECT, SPECIAL, INCIDENTAL, SPECULATIVE OR CONSEQUENTIAL DAMAGES ARISING FROM THE USE OR INABILITY TO USE THIS PRODUCT OR DOCUMENTATION, EVEN IF ADVISED OF THE POSSIBILITY OF SUCH DAMAGES. IN PARTICULAR, SUPER MICRO COMPUTER, INC. SHALL NOT HAVE LIABILITY FOR ANY HARDWARE, SOFTWARE, OR DATA STORED OR USED WITH THE PRODUCT, INCLUDING THE COSTS OF REPAIRING, REPLACING, INTEGRATING, INSTALLING OR RECOVERING SUCH HARDWARE, SOFTWARE, OR DATA.

Any disputes arising between manufacturer and customer shall be governed by the laws of Santa Clara County in the State of California, USA. The State of California, County of Santa Clara shall be the exclusive venue for the resolution of any such disputes. Supermicro's total liability for all claims will not exceed the price paid for the hardware product.

FCC Statement: This equipment has been tested and found to comply with the limits for a Class A or Class B digital device pursuant to Part 15 of the FCC Rules. These limits are designed to provide reasonable protection against harmful interference when the equipment is operated in industrial environment for Class A device or in residential environment for Class B device. This equipment generates, uses, and can radiate radio frequency energy and, if not installed and used in accordance with the manufacturer's instruction manual, may cause harmful interference with radio communications. Operation of this equipment in a residential area is likely to cause harmful interference, in which case you will be required to correct the interference at your own expense.

California Best Management Practices Regulations for Perchlorate Materials: This Perchlorate warning applies only to products containing CR (Manganese Dioxide) Lithium coin cells. "Perchlorate Material-special handling may apply. See <https://www.dtsc.ca.gov/hazardouswaste/perchlorate>".



WARNING: This product can expose you to chemicals including lead, known to the State of California to cause cancer and birth defects or other reproductive harm. For more information, go to <https://www.P65Warnings.ca.gov>.



AVERTISSEMENT : Ce produit peut vous exposer à des agents chimiques, y compris le plomb, identifié par l'État de Californie comme pouvant causer le cancer, des malformations congénitales ou d'autres troubles de la reproduction. Pour de plus amples informations, prière de consulter <https://www.P65Warnings.ca.gov>.

The products sold by Supermicro are not intended for and will not be used in life support systems, medical equipment, nuclear facilities or systems, aircraft, aircraft devices, aircraft/emergency communication devices or other critical systems whose failure to perform be reasonably expected to result in significant injury or loss of life or catastrophic property damage. Accordingly, Supermicro disclaims any and all liability, and should buyer use or sell such products for use in such ultra-hazardous applications, it does so entirely at its own risk. Furthermore, buyer agrees to fully indemnify, defend and hold Supermicro harmless for and against any and all claims, demands, actions, litigation, and proceedings of any kind arising out of or related to such ultra-hazardous use or sale.

Manual Revision 1.0

Release Date: July 14, 2025

Unless you request and receive written permission from Super Micro Computer, Inc., you may not copy any part of this document. Information in this document is subject to change without notice. Other products and companies referred to herein are trademarks or registered trademarks of their respective companies or mark holders.

Copyright © 2025 by Super Micro Computer, Inc.
All rights reserved.

Published in the United States of America

Preface

About This Manual

This manual is written for professional system integrators and PC technicians. It provides information for the installation and use of the SSG-542B-DE1CR90/E1CR90/E1CR60 server. Installation and maintenance should be performed by certified service technicians only.

Notes

For your system to work properly, follow the links below to download all necessary drivers/utilities and the user's manual for your server.

- Supermicro product manuals: <https://www.supermicro.com/support/manuals>
- Product drivers and utilities: <https://www.supermicro.com/wdl>
- Product safety info: https://www.supermicro.com/about/policies/safety_information.cfm
- A secure data deletion tool designed to fully erase all data from storage devices can be found on our website:
[https://www.supermicro.com/about/policies/disclaimer.cfm?url=/wdl/utility/Lot9_Secure Data Deletion Utility](https://www.supermicro.com/about/policies/disclaimer.cfm?url=/wdl/utility/Lot9_Secure_Data_Deletion_Utility)
- Frequently Asked Questions: <https://www.supermicro.com/FAQ/index.php>
- If you still have questions after referring to our FAQs, contact our support team. Region-specific Technical Support email addresses can be found at: "[Contacting Supermicro](#)" on page 15
- If you have any feedback on Supermicro product manuals, contact our writing team at: Techwriterteam@supermicro.com

This manual may be periodically updated without notice. Check the Supermicro website for possible updates to the manual revision level.

Conventions Used in the Manual

Special attention should be given to the following symbols for proper installation and to prevent damage done to the components or injury to yourself.



Warning! Indicates important information given to prevent equipment/property damage or personal injury.



Warning! Indicates high voltage may be encountered while performing a procedure.

Important: Important information given to ensure proper system installation or to relay safety precautions.

Note: Additional information given to differentiate various models or to provide information for proper system setup.

Contents

Contacting Supermicro	15
Chapter 1: Introduction	16
1.1 Overview	17
1.2 System Features	20
SSG-542B-DE1CR90 System Views	20
SSG-542B-E1CR90 System Views	22
SSG-542B-E1CR60 System Views	24
Control Panel	26
1.3 System Architecture	28
Motherboard Block Diagram	28
1.4 Motherboard Quick Reference	29
Motherboard Layout	29
Quick Reference Table	31
Chapter 2: Server Installation	33
2.1 Unpacking the System	34
2.2 Preparing for Setup	35
Choosing a Setup Location	35
Rack Precautions	35
System Precautions	35
Rack Mounting Considerations	36
Ambient Operating Temperature	37
Airflow	37
Mechanical Loading	37
Circuit Overloading	37
Reliable Ground	37
2.3 Installing the Rails	38
Releasing the Inner Rail	38
Installing the Rails onto the Rack	39
2.4 Installing the Chassis into the Rack	42
Chapter 3: Maintenance and Component Installation	44
3.1 Removing Power	46

3.2 Accessing the System	47
Opening the HDD Drawer	47
3.3 Static-Sensitive Devices	49
Precautions	49
3.4 Processor and Heatsink Installation	50
LGA 4710 Socket E2 Processors	51
Processor Top View	51
Overview of the Processor Carrier	51
Processor Carriers	51
Overview of the Processor Socket	53
Overview of the Processor Heatsink Module	53
Installing the Processor	55
Assembling the Processor Heatsink Module	58
Preparing the Processor Socket for Installation	60
Preparing to Install the PHM into the Processor Socket	61
Installing the Processor Heatsink Module	62
Removing the Processor Heatsink Module	64
3.5 Memory Support and Installation	67
Memory Support	67
General Guidelines for Optimizing Memory Performance	72
DIMM Installation	72
DIMM Removal	75
3.6 Motherboard Battery Removal and Installation	76
Battery Removal	76
Proper Battery Disposal	76
Battery Installation	76
3.7 Storage Drives	77
Drive Carrier Indicators	77
Installing Drives	78
Installing Drives into the Chassis on a Rack	79
Installing Hot-Swap 2.5" or 3.5" Hard Drives Into Carriers	81
Expander Modules	83
Removing an Expander Module from the Chassis	84
Hot-Swap for NVMe Drives	85

Ejecting a Drive	85
Replacing a Drive	85
3.8 System Cooling	86
Fans	86
Changing a System Fan	86
3.9 Power Supply	88
Power Supply LEDs	88
Replacing the Power Supply	88
Chapter 4: Motherboard Connections, Jumpers, and LEDs	89
4.1 Power Supply and Power Connections	91
Power Connectors	91
Node Fan Board Power Connector	91
Onboard NVMe Power Connector	91
Node Power Connector from System	91
4.2 Headers and Connections	93
Fan Board Control Header	93
Inlet Sensor Header	93
M.2 M-Key PCIe 4.0 x2 Slots	94
MCIO PCIe 5.0 x8 Connectors	94
NC-SI Connection	94
Node Control Connector to System	94
Node Fan Board Control Connector	95
Node PCIe 5.0 Connectors to System	96
Node SAS 3.0 Connectors to System	98
NVMe I ² C Header	99
8-Pin Onboard Standby Fan Header	99
SAS 3.0 Connections (SlimSAS)	100
TPM/Port 80 Header	100
VROC RAID Key Header	100
4.3 I/O Ports	102
LAN Ports	102
Unit Identifier Button	103
USB Ports	103
4.4 Jumper Settings	105

CMOS Clear	105
TPM Select	106
4.5 LED Indicators	107
BMC Heartbeat LED	107
Expander SAS35X48 Heartbeat LED	107
Front Panel Power LED	107
M.2 LEDs	108
SAS 3808N Heartbeat LED	108
Unit ID (UID) LED	108
Chapter 5: Software	109
5.1 Microsoft Windows OS Installation	110
Installing the OS	110
5.2 Driver Installation	112
5.3 BMC	114
BMC ADMIN User Password	114
Chapter 6: Optional Components	115
6.1 HBA Card	116
6.2 RAID Cards	117
6.3 Cable Management Arm	118
Installing the Cable Management Arm	118
Removing the Cable Management Arm	119
6.4 Intel Virtual RAID on CPU (VROC)	120
Requirements and Restrictions	120
Additional Information	120
Hardware Key	121
Configuring Intel VMD	121
Configuring VMD Manually	122
Creating NVMe RAID Configurations	125
Status Indications	127
Hot-Swap Drives	127
Hot-Unplug	127
Hot-Plug	128
Related Information Links	128

Chapter 7: Troubleshooting and Support	129
7.1 Online Resources	130
Direct Links for the SSG-542B-DE1CR90/E1CR90/E1CR60 System	130
Direct Links for General Support and Information	130
7.2 Baseboard Management Controller (BMC)	132
7.3 Troubleshooting Procedures	133
Before Power On	133
No Power	133
No Video	133
System Boot Failure	133
Memory Errors	134
Losing the System's Setup Configuration	134
If the System Becomes Unstable	134
7.4 CMOS Clear	136
7.5 Motherboard Battery	137
7.6 Where to Get Replacement Components	138
7.7 Technical Support Procedures	139
Returning Merchandise for Service	139
7.8 Feedback	141
Chapter 8: UEFI BIOS	142
8.1 Introduction	143
Updating BIOS	143
Starting the Setup Utility	143
8.2 Main Setup	145
8.3 Advanced Setup Configurations	147
Boot Feature Menu	147
CPU Configuration Menu	148
Advanced Power Management Configuration Menu	152
CPU P State Control Menu	153
Hardware PM State Control Menu	154
CPU C State Control Menu	155
Package C State Control Menu	156
CPU1 Core Disable Bitmap Menu	156
Chipset Configuration Menu	156

Uncore Configuration Menu	157
Memory Configuration Menu	159
Memory Topology Menu	159
Memory Map Menu	159
Memory RAS Configuration Menu	160
Security Configuration Menu	161
IIO Configuration Menu	167
CPU1 Configuration Menu	167
Intel VT for Directed I/O (VT-d) Menu	169
PCIe Leaky Bucket Configuration Menu	169
Trusted Computing Menu	170
ACPI Settings Menu	172
Super IO Configuration Menu	172
Serial Port 1 Configuration Menu	173
Serial Port 2 Configuration Menu	173
Serial Port Console Redirection Menu	174
Network Stack Configuration Menu	177
MAC:(MAC address)-IPv4 Network Configuration Menu	178
MAC:(MAC address)-IPv6 Network Configuration Menu	178
PCIe/PCI/PnP Configuration Menu	179
HTTP Boot Configuration Menu	181
Supermicro KMS Server Configuration Menu	182
Super-Guardians Configuration Menu	184
System Diagnostics Configuration Menu	186
Intel(R) Ethernet Controller Menu	187
System Diagnostics Configuration Menu	188
TLS Authenticate Configuration Menu	188
BROADCOM <SAS 3808N> Configuration Utility	189
Main Menu	189
Configuration Management	189
Create Virtual Drive	189
Create Profile Based Virtual Drive	191
Generic RAID 0	191
Generic RAID 1	191

Clear Configuration	192
Controller Management	192
Advanced Controller Management	193
Clear Controller Events	193
Save Controller Events	193
Save TTY Log	194
Enable Drive Security	194
Disable Drive Security	194
Disable Drive Security	194
Manage SAS Storage Link Speed	194
Manage PCIe Storage Interface	196
Manage MegaRAID Advanced Software Options	197
Schedule Consistency Check	198
Set Factory Defaults	198
Manage Personality Mode	199
Manage Controller Profiles	199
Manage Phy State	200
Advanced Controller Properties	200
Patrol Read	202
Spare	203
Task Rates	203
External Key Management	204
Spin Down Drives At Shutdown	204
Virtual Drive Management	205
Drive Management	205
Drive	205
Advanced...	206
Hardware Components	207
Help	207
PROPERTIES	207
View Server Profile	208
Controller Management	208
Advanced Controller Management	209
Clear Controller Events	209

Save Controller Events	209
Save TTY Log	209
Enable Drive Security	209
Disable Drive Security	210
Disable Drive Security	210
Manage SAS Storage Link Speed	210
Manage PCIe Storage Interface	211
Manage MegaRAID Advanced Software Options	213
Schedule Consistency Check	214
Set Factory Defaults	214
Manage Personality Mode	215
Manage Controller Profiles	215
Manage Phy State	215
Advanced Controller Properties	216
Patrol Read	217
Spare	218
Task Rates	219
External Key Management	220
Spin Down Drives At Shutdown	220
Virtual Drive Management	220
Drive Management	220
Drive	221
Advanced...	221
Hardware Components	222
Drive Management	223
Virtual Drive Management	223
ACTIONS	223
Configuration Management	223
Create Virtual Drive	223
Create Profile Based Virtual Drive	225
Generic RAID 0	225
Generic RAID 1	225
Clear Configuration	226
Set Factory Defaults	226

Update Firmware	227
BACKGROUND OPERATIONS	227
MegaRAID ADVANCED SOFTWARE OPTIONS	227
Manage MegaRAID Advanced Software Options	227
Driver Health Menu	228
8.4 Event Logs	229
8.5 BMC	231
System Event Log Menu	231
BMC Network Configuration Menu	232
8.6 Security	235
Supermicro Security Erase Configuration Menu	236
HDD Security Configuration Menu	237
Secure Boot Menu	238
TCG Storage Security Configuration Menu	241
8.7 Boot	242
8.8 Save & Exit	244
Appendix A: BIOS Codes	246
BIOS Error POST (Beep) Codes	246
Additional BIOS POST Codes	246
Appendix B: Standardized Warning Statements for AC Systems	247
Warning Definition	247
Installation Instructions	249
Circuit Breaker	250
Power Disconnection Warning	252
Equipment Installation	253
Rack Stability Hazard	255
Restricted Area	257
Battery Handling	258
Redundant Power Supplies	260
Backplane Voltage	261
Comply with Local and National Electrical Codes	263
Product Disposal	264
Fan Warning	265
Power Cable and AC Adapter	267

<i>Appendix C: System Specifications</i>	271
<i>Appendix D: General Data Center Environmental Specifications</i>	275

Contacting Supermicro

Headquarters

Address: Super Micro Computer, Inc.
980 Rock Ave.
San Jose, CA 95131 U.S.A.

Tel: +1 (408) 503-8000

Fax: +1 (408) 503-8008

Email: Marketing@supermicro.com (General Information)
Sales-USA@supermicro.com (Sales Inquiries)
Government_Sales-USA@supermicro.com (Gov. Sales Inquiries)
Support@supermicro.com (Technical Support)
RMA@Supermicro.com (RMA Support)
Webmaster@supermicro.com (Webmaster)

Website: <https://www.supermicro.com>

Europe

Address: Super Micro Computer B.V.
Het Sterrenbeeld 28, 5215 ML
's-Hertogenbosch, The Netherlands

Tel: +31 (0) 73-6400390

Fax: +31 (0) 73-6416525

Email: Sales_Europe@supermicro.com (Sales Inquiries)
Support_Europe@supermicro.com (Technical Support)
RMA_Europe@supermicro.com (RMA Support)

Website: <https://www.supermicro.nl>

Asia-Pacific

Address: Super Micro Computer, Inc.
3F, No. 150, Jian 1st Rd.
Zhonghe Dist., New Taipei City 235 Taiwan (R.O.C)

Tel: +886 (2) 8226-3990

Fax: +886 (2) 8226-3992

Email: Sales-Asia@supermicro.com.tw (Sales Inquiries)
Support@supermicro.com.tw (Technical Support)
RMA@supermicro.com.tw (RMA Support)

Website: <https://www.supermicro.com.tw>

Chapter 1:

Introduction

This chapter provides a brief outline of the functions and features of the SSG-542B-DE1CR90/E1CR90/E1CR60 system. It is based on the X14SBSC motherboard and the CSE-947HTS/947STS chassis.

1.1 Overview	17
1.2 System Features	20
SSG-542B-DE1CR90 System Views	20
SSG-542B-E1CR90 System Views	22
SSG-542B-E1CR60 System Views	24
Control Panel	26
1.3 System Architecture	28
Motherboard Block Diagram	28
1.4 Motherboard Quick Reference	29
Motherboard Layout	29
Quick Reference Table	31

1.1 Overview

This chapter provides a brief outline of the functions and features of the SuperServer SSG-542B-DE1CR90/E1CR90/E1CR60. The following provides an overview of the system specifications and capabilities.

System Overview	
Motherboard	X14SBSC
Chassis	For SSG-542B-DE1CR90 and SSG-542B-E1CR90: CSE-947HTS-R2K63P For SSG-542B-E1CR60: CSE-947STS-R2K05P
Processor	Intel® Xeon® 6700/6500-series processors with P-cores or Intel® Xeon® 6700-series processor with E-cores with Socket LGA 4710 E2 and a Thermal Design Power (TDP) of up to 350 W
Memory	16 DIMM slots, supporting up to 512 GB MRDIMM with speeds of up to 8000 MT/s (1DPC), or up to 4 TB of 3DS RDIMM with speeds of up to 6400 MT/s (1DPC) or 5200 MT/s (2DPC) Note: Intel® Xeon® 6700/6500-series processors with P-cores are required to support MRDIMM.
Expansion Slots	One PCIe 5.0 x8 (in x8) half-height, half-length (HHHL) slot Three PCIe 5.0 x16 (in x16) HHHL slots
I/O Ports	LAN: One RJ45 1 GbE Dedicated BMC LAN port USB: Two USB 3.0 ports (rear) Video: 1 VGA port

System Overview	
Drive Support	<p>In addition to configuration-specific drive support, all configurations below feature two motherboard-mounted M.2 PCIe 4.0 x2 NVMe slots (M-key 2280/22110).</p> <p>Note: NVMe support might require additional storage controller and/or cables; for details, see "Optional Components" on page 115.</p> <p>For SSG-542B-DE1CR90 only: Default: 90 top-loading hot-swap 3.5"/2.5" SAS/SATA drive bays Option A: Two additional internal fixed 2.5" U.2 PCIe 5.0 x4 NVMe drive bays per node</p> <p>For SSG-542B-E1CR90 only: Default: 90 top-loading hot-swap 3.5"/2.5" SAS/SATA drive bays Option A: Four additional rear hot-swap 2.5" U.2 PCIe 5.0 x4 NVMe drive bays Option B: Two additional internal fixed 2.5" U.2 PCIe 5.0 x4 NVMe drive bays</p> <p>Note: Separately from Options A and B, the SSG-542B-E1CR90 can support two U.2 NVMe slots (on left side of system rear) instead of the two M.2 NVMe slots mentioned above. These two configurations are mutually exclusive.</p> <p>For SSG-542B-E1CR60 only: Default: 60 top-loading hot-swap 3.5"/2.5" SAS/SATA drive bays Option A: Four additional rear hot-swap 2.5" U.2 PCIe 4.0 x4 NVMe drive bays Option B: Two additional internal fixed 2.5" U.2 PCIe 5.0 x4 NVMe drive bays</p> <p>Note: Separately from Options A and B, the SSG-542B-E1CR60 can support two U.2 NVMe slots (on left side of system rear) instead of the two M.2 NVMe slots mentioned above. These two configurations are mutually exclusive.</p>
System Cooling	<p>Six heavy-duty 8 cm fans One counter-rotating 6 cm fan</p>
Power	<p>For SSG-542B-DE1CR90 and SSG-542B-E1CR90: Two 2600 W redundant (1+1) Titanium Level (96%) power supplies</p> <p>For SSG-542B-E1CR60: Two 2000 W redundant (1+1) Titanium Level (96%) power supplies</p>
Form Factor	<p>For SSG-542B-DE1CR90 and SSG-542B-E1CR90: 4U rackmount, 17.6" x 6.96" x 43.3" (447 x 177 x 1099 mm) (WxHxD)</p> <p>For SSG-542B-E1CR60: 4U rackmount, 17.6" x 6.96" x 32" (447 x 177 x 813 mm) (WxHxD)</p>

Notes:

- Additional resources can be found on the following pages of the Supermicro website:
 - <https://www.supermicro.com/en/products/system/storage/4u/ssg-542b-de1cr90>
 - <https://www.supermicro.com/en/products/system/storage/4u/ssg-542b-e1cr90>
 - <https://www.supermicro.com/en/products/system/storage/4u/ssg-542b-e1cr60>
- The following safety models associated with the SSG-542B-DE1CR90/E1CR90/E1CR60 have been certified as compliant with UL or CSA:
 - For SSG-542B-DE1CR90 and SSG-542B-E1CR90: 947H-R26X14 or 947S-R20X14
 - For SSG-542B-E1CR60: 947S-R20X14

1.2 System Features

The following views of the system display the main features. Refer to the System Specifications appendix of this manual for additional specifications.

SSG-542B-DE1CR90 System Views

The following features are located on the front and rear of the SSG-542B-DE1CR90 server.

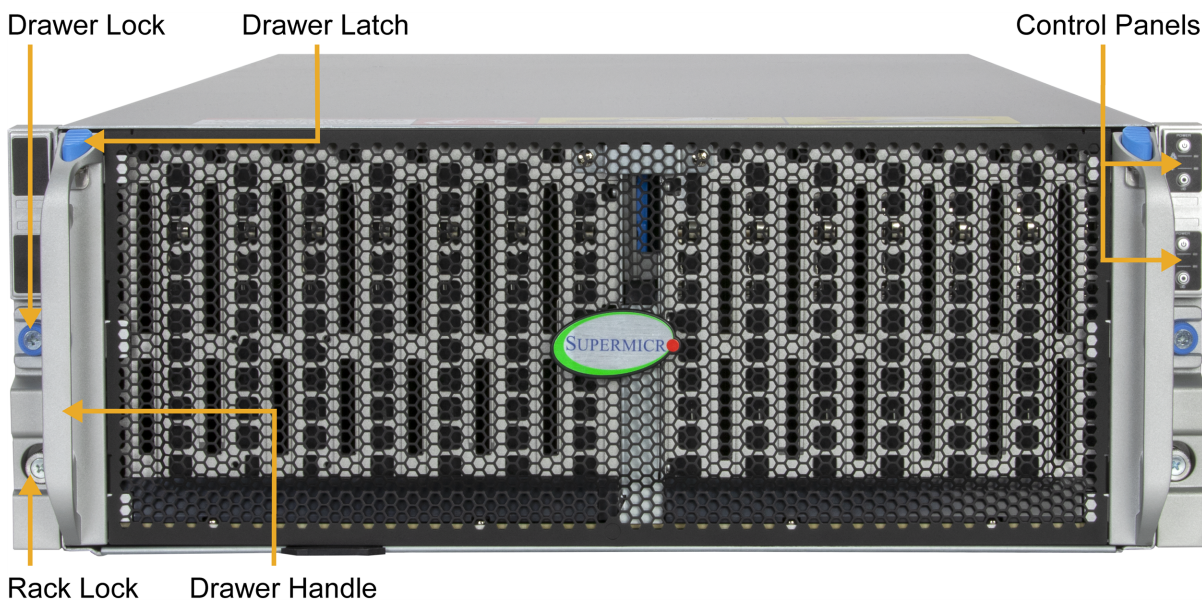


Figure 1-1. SSG-542B-DE1CR90 Front View

System Features: Front	
Feature	Description
Drive Drawer Latch	Two latches to remove the drawer from the system
Drive Drawer Lock	Two locks to fasten the drawer in the chassis
Rack Lock	Two locks to fasten the system into a rack
Drawer Handle	Two handles to extend the drawer from the chassis
Control Panels	Power button and LED indicators for both nodes (for details, see "Control Panel" on page 26)

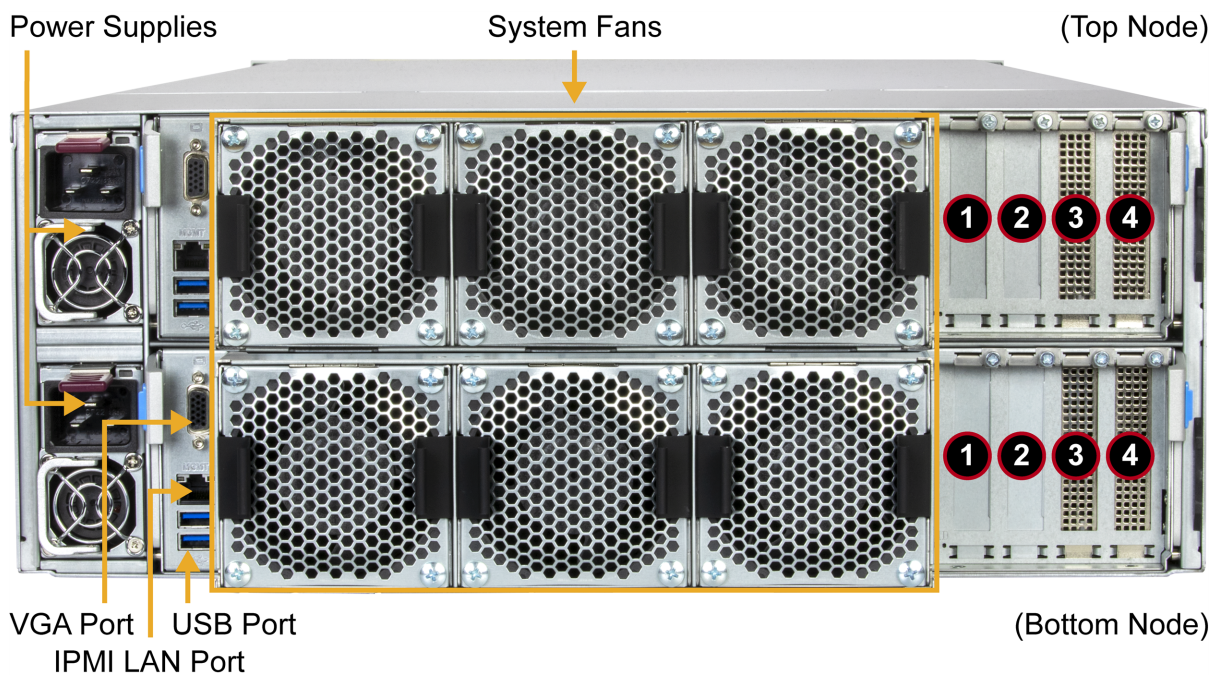


Figure 1-2. SSG-542B-DE1CR90 Rear View

Expansion Slots	
Item Per Node	Description
1-3	PCIe 5.0 x16 slots
4	PCIe 5.0 x8 slot, occupied by SAS controller

SSG-542B-E1CR90 System Views

The following features are located on the front and rear of the SSG-542B-E1CR90 server.

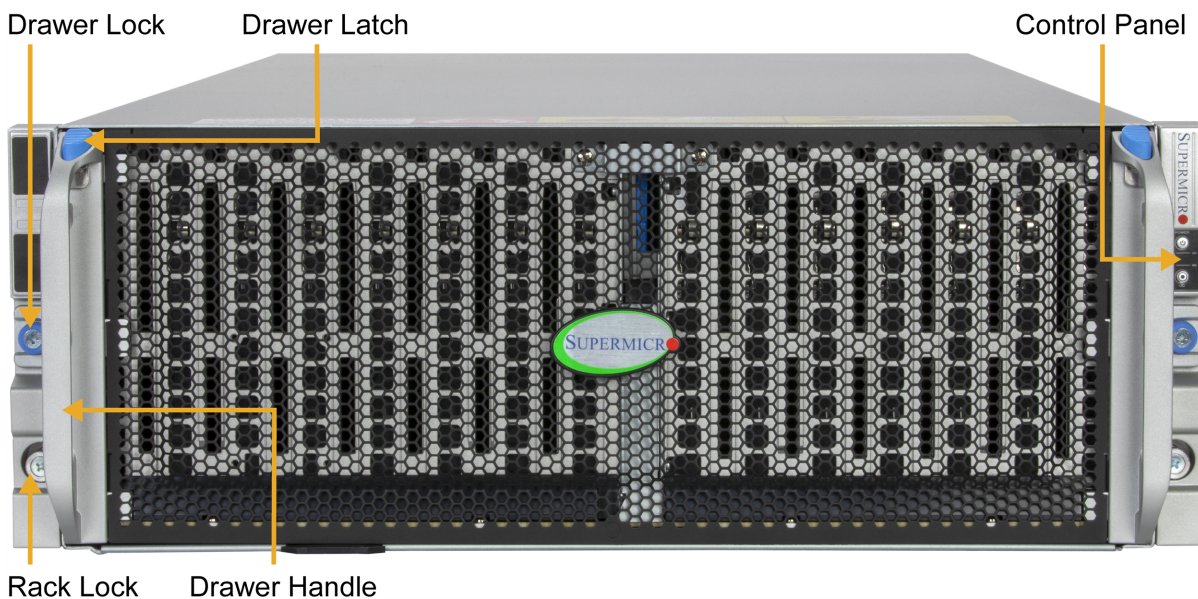


Figure 1-3. SSG-542B-E1CR90 Front View

System Features: Front	
Feature	Description
Drive Drawer Latch	Two latches to remove the drawer from the system
Drive Drawer Lock	Two locks to fasten the drawer in the chassis
Rack Lock	Two locks to fasten the system into a rack
Drawer Handle	Two handles to extend the drawer from the chassis
Control Panel	Power button and LED indicators (for details, see "Control Panel" on page 26)

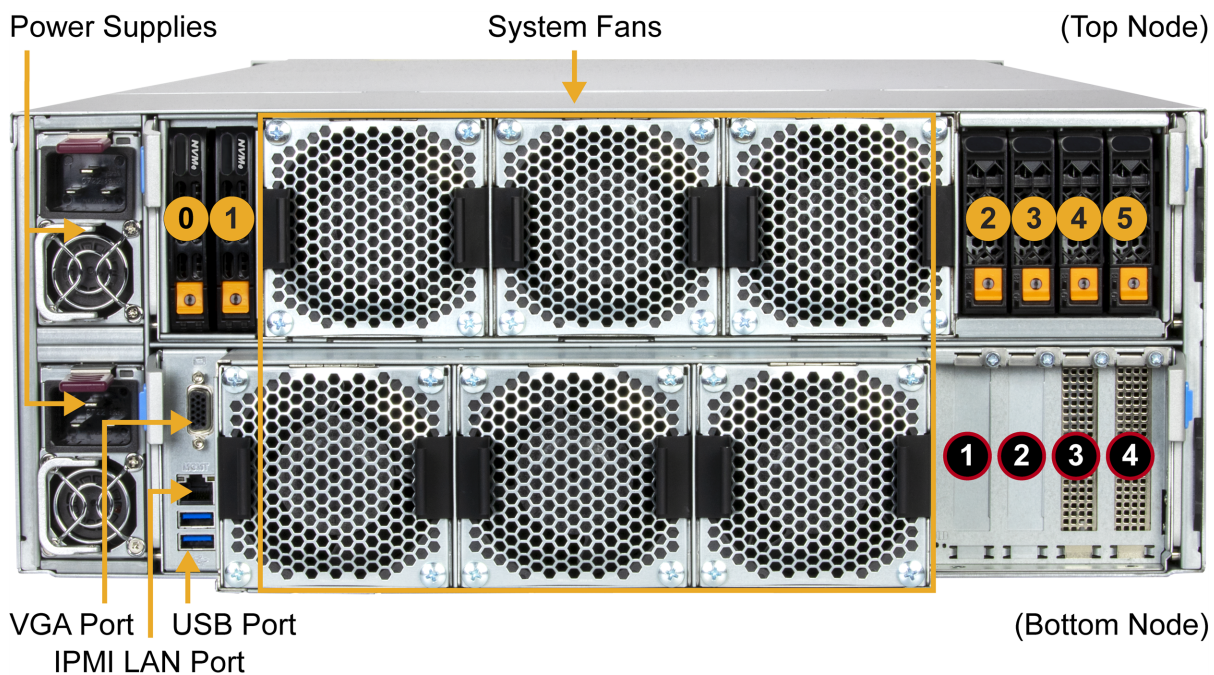


Figure 1-4. SSG-542B-E1CR90 Rear View

Storage Drives	
Item in Top Node	Description
0-1	Hot-swap 2.5" U.2 PCIe 4.0 x2 NVMe drive bays Note: Disabled if M.2s are installed on the motherboard, and vice versa.
2-5	Optional hot-swap 2.5" U.2 PCIe 5.0 x4 NVMe drive bays

Expansion Slots	
Item in Bottom Node	Description
1-3	PCIe 5.0 x16 slots
4	PCIe 5.0 x8 slot, occupied by SAS controller

SSG-542B-E1CR60 System Views

The following features are located on the front and rear of the SSG-542B-E1CR60 server.

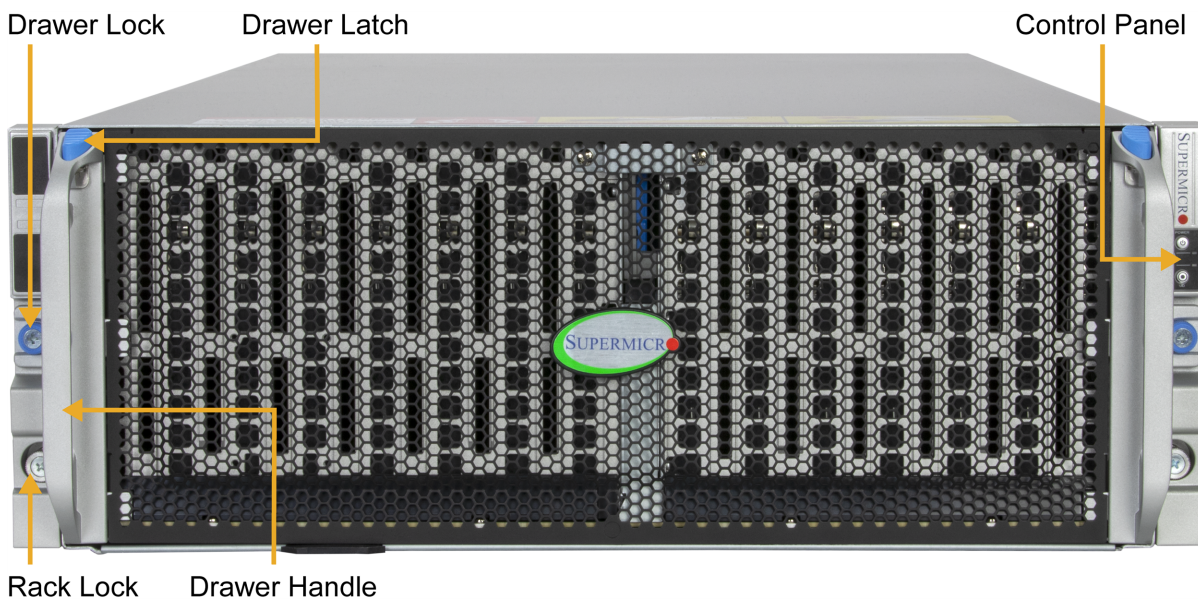


Figure 1-5. SSG-542B-E1CR60 Front View

System Features: Front	
Feature	Description
Drive Drawer Latch	Two latches to remove the drawer from the system
Drive Drawer Lock	Two locks to fasten the drawer in the chassis
Rack Lock	Two locks to fasten the system into a rack
Drawer Handle	Two handles to extend the drawer from the chassis
Control Panel	Power button and LED indicators (for details, see "Control Panel" on page 26)

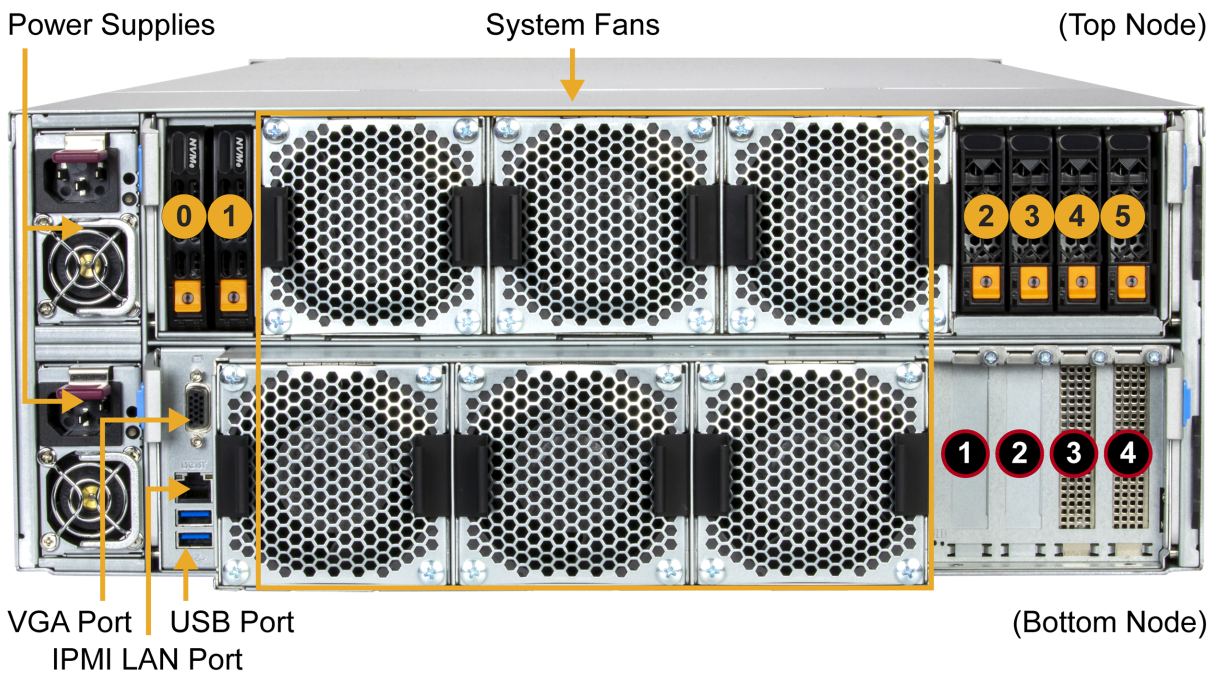


Figure 1-6. SSG-542B-E1CR60 Rear View

Storage Drives	
Item in Top Node	Description
0-1	Hot-swap 2.5" U.2 PCIe 4.0 x2 NVMe drive bays Note: Disabled if M.2s are installed on the motherboard, and vice versa.
2-5	Optional hot-swap 2.5" U.2 PCIe 5.0 x4 NVMe drive bays

Expansion Slots	
Item in Bottom Node	Description
1-3	PCIe 5.0 x16 slots
4	PCIe 5.0 x8 slot, occupied by SAS controller

Control Panel

The following switches and LEDs are located on the SSG-542B-DE1CR90/E1CR90/E1CR60 server control panel.

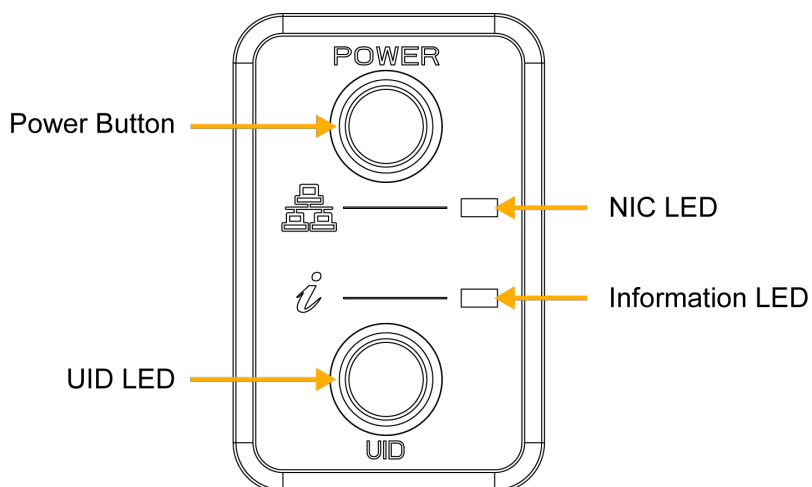


Figure 1-7. SSG-542B-DE1CR90/E1CR90/E1CR60 Control Panel

Control Panel Features	
Feature	Description
Power Button/LED	The main power button is used to apply or remove power from the power supply to the server. Turning off system power with this button removes the main power but maintains standby power. To perform many maintenance tasks, you must also unplug the system before servicing.
NIC LED	Indicates network activity on the LAN port when flashing.
Information LED	See table below for details.
UID LED	The Unit ID (UID) button is used to turn on or off the blue UID LED to easily locate the server in racks and server banks. Solid blue indicates the UID was activated locally. Blinking blue indicates UID was activated remotely.

Information LED	
Color, Status	Description
Red, solid	An overheat condition has occurred.
Red, blinking at 1 Hz	Fan failure; check for an inoperative fan.
Red, blinking at 0.25 Hz	Power failure; check for an inoperative power supply.
Red, solid with Power LED blinking green	Fault detected.
Blue and red, blinking at 10 Hz	Recovery mode.

Information LED	
Color, Status	Description
Blue, solid	UID has been activated locally to locate the server in a rack environment.
Blue, blinking at 1 Hz	UID has been activated via BMC to locate the server in a rack environment.
Blue, blinking at 2 Hz	BMC is resetting.
Blue, blinking at 4 Hz	BMC is setting factory defaults.
Blue, blinking at 10 Hz with Power LED blinking green	BMC/BIOS firmware is updating.

1.3 System Architecture

This section covers the locations of the system's main components and provides a system block diagram.

Motherboard Block Diagram

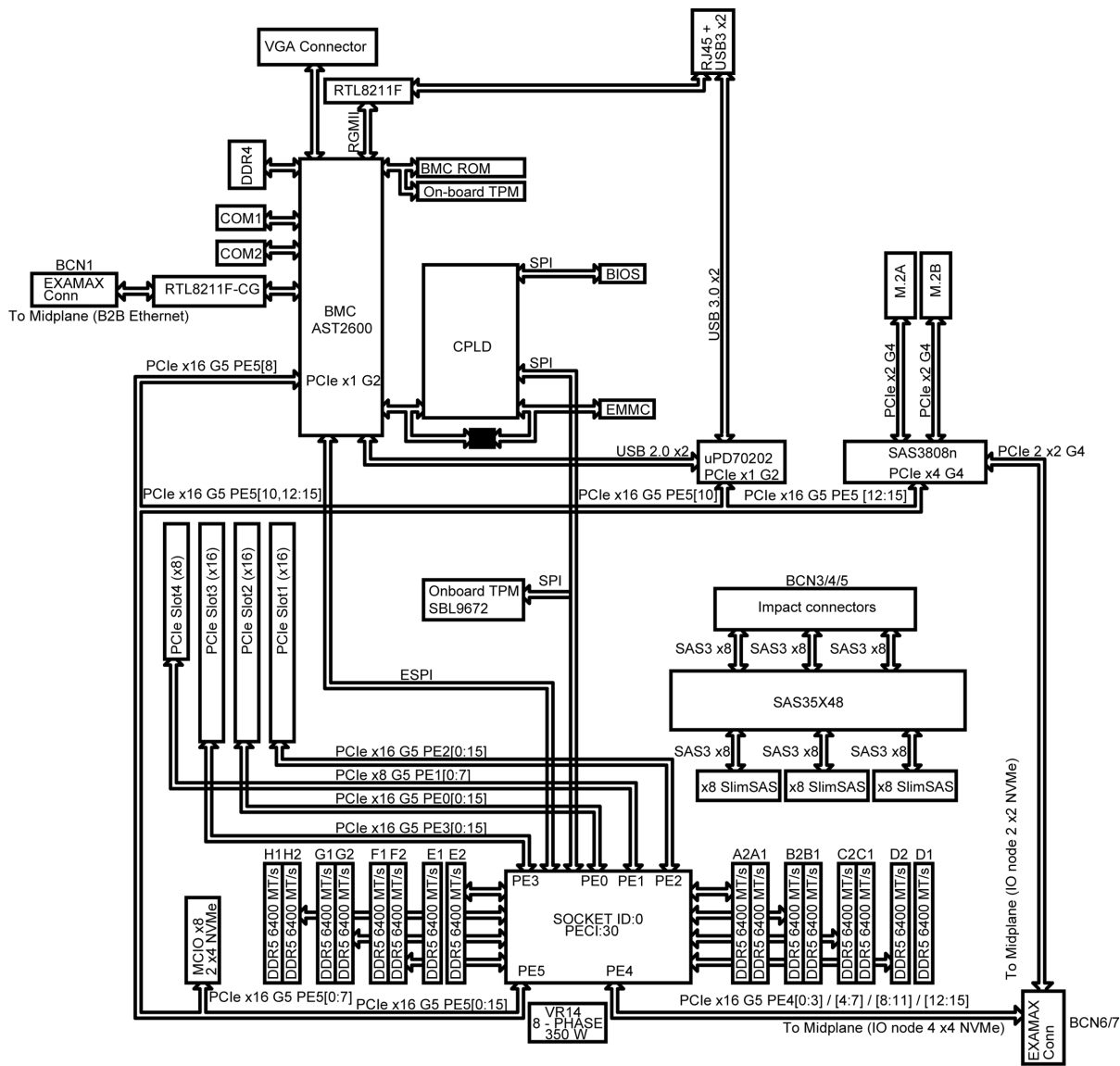


Figure 1-8. Motherboard Block Diagram

1.4 Motherboard Quick Reference

For details on the X14SBSC motherboard layout and other quick reference information, refer to the content below.

Motherboard Layout

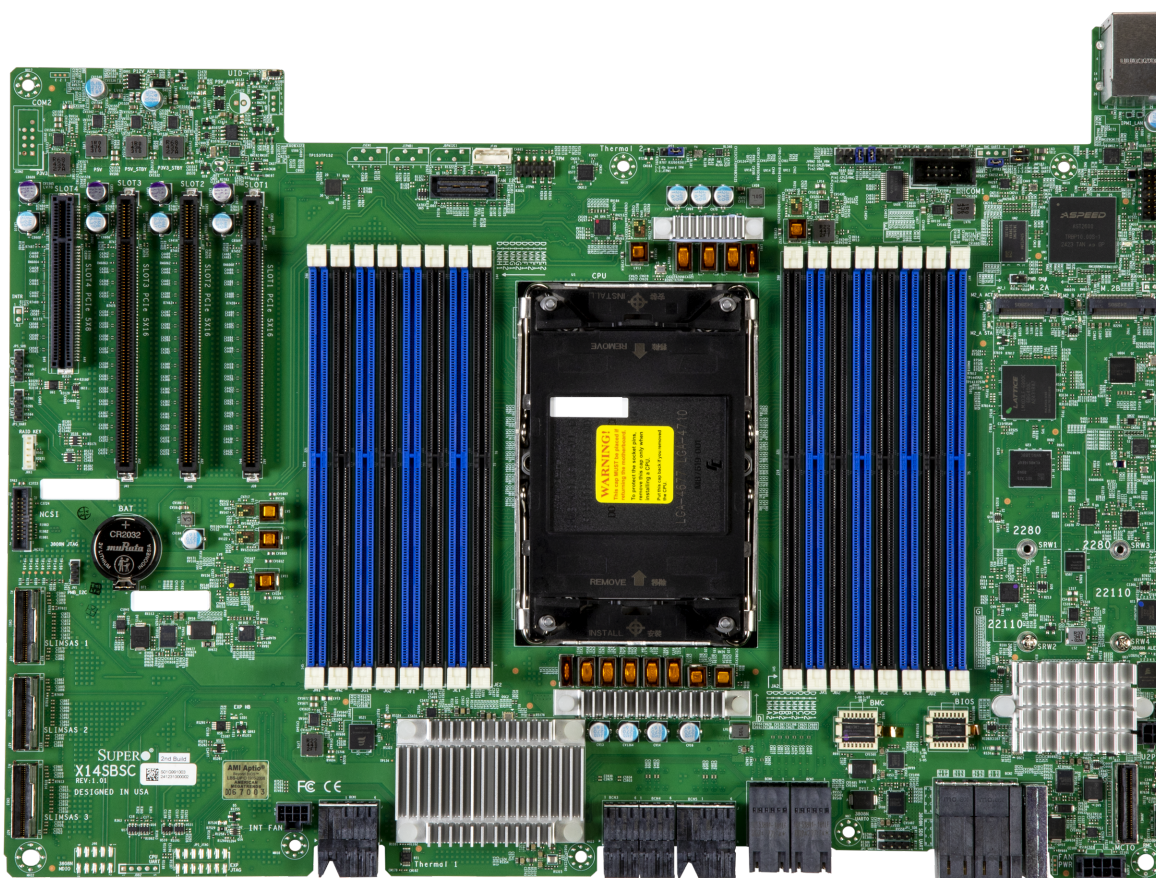


Figure 1-9. X14SBSC Motherboard Image

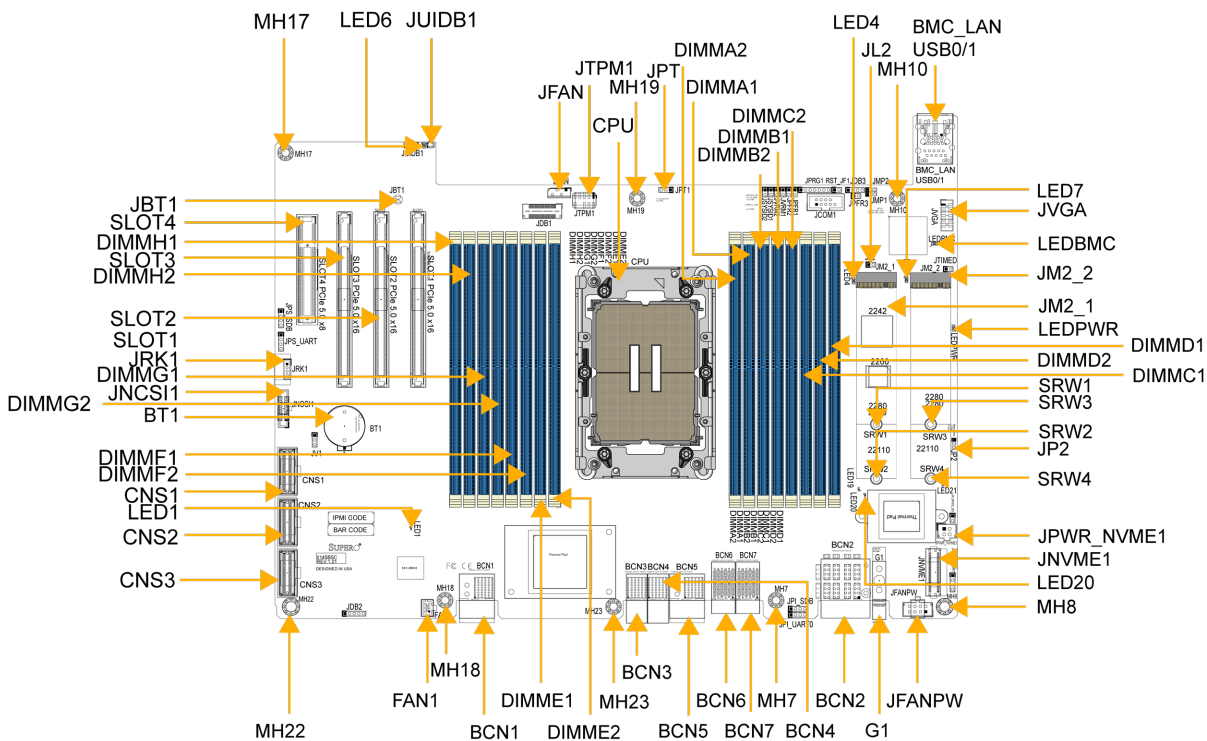


Figure 1-10. X14SBSC Motherboard Layout

Notes:

- For detailed information on jumpers, connectors, and LED indicators, see ["Maintenance and Component Installation"](#) on page 44.
- "■" indicates the location of pin 1.
- Components not documented are for internal testing purposes only.
- Use only the correct type of onboard CMOS battery as specified by the manufacturer. To avoid possible explosion, do not install the onboard battery upside down.

Quick Reference Table

Jumper	Description	Default Setting
JBT1	CMOS Clear	Open (Normal)
JPT1	TPM Select	Pins 1–2: Onboard TPM Pins 2–3: External TPM

LED	Description	Status
LED1	Expander SAS35X48 Heartbeat LED	Blinking Green: Device Working
LED4	M.2 LED	Blinking: Device Working
LED6	Unit Identifier LED	Solid Blue: Unit Identified
LED7	M.2 LED	Blinking Green: Device Working
LED20	SAS 3808N Heartbeat LED	Blinking Green: Device Working
LEDBMC	BMC Heartbeat LED	Blinking Green: Device Working
LEDPWR	Front Panel Power LED	Solid Green: Power On

Connector	Description
BMC_LAN	Dedicated BMC LAN Port
BT1	Onboard Battery
BCN1	Node Control Connector to System
BCN2	Node Power Connector from System
BCN3, BCN4, BCN5	Node SAS 3.0 Connectors to System
BCN6, BCN7	Node PCIe 5.0 Connectors to System
CNS1	SLIMSAS1 Connector for SAS 3.0
CNS2	SLIMSAS2 Connector for SAS 3.0
CNS3	SLIMSAS3 Connector for SAS 3.0
FAN1	8-pin Onboard Standby FAN Header
JFAN	Node Fan Board Control Connector
JFANPW	Node FAN Power Connector
JM2_1, JM2_2	M.2 M-Key PCIe 4.0 x2 Connectors (supports 22110 form factor)

Connector	Description
JNCSI1	NC-SI Port Selection
JNVME1	MCIO PCIe 5.0 x8 Connector
JPWR_NVME1	4-pin NVME Power Connector
JRK1	VROC RAID Key Header
JTPM1	Trusted Platform Module (TPM)/Port 80 Connector
JUIDB1	Unit Identifier Button
JVGA	VGA Header
SLOT1	PCIe 5.0 x16 Slot
SLOT2	PCIe 5.0 x16 Slot
SLOT3	PCIe 5.0 x16 Slot
SLOT4	PCIe 5.0 x8 Slot
USB0/1	USB 3.2 Gen 1 Ports

Note: Jumpers, connectors, switches, and LED indicators that are not described in these tables are for manufacturing testing purposes only, and are not covered in this manual.

Chapter 2:

Server Installation

This chapter provides advice and instructions for mounting your server in a server rack. If your server is not already fully integrated with processors, system memory, etc., refer to ["Maintenance and Component Installation" on page 44](#) for details on installing those specific components.

Important: Electrostatic Discharge (ESD) can damage electronic components. To prevent such damage to printed circuit boards (PCBs), it is important to use a grounded wrist strap, handle all PCBs by their edges, and keep PCBs in anti-static bags when not in use.

2.1 Unpacking the System	34
2.2 Preparing for Setup	35
Choosing a Setup Location	35
Rack Precautions	35
System Precautions	35
Rack Mounting Considerations	36
2.3 Installing the Rails	38
Releasing the Inner Rail	38
Installing the Rails onto the Rack	39
2.4 Installing the Chassis into the Rack	42

2.1 Unpacking the System

Inspect the box the server was shipped in and note if it was damaged in any way. If any equipment appears damaged, file a damage claim with the carrier who delivered it.

Decide on a suitable location for the rack unit that will hold the server. It should be situated in a clean, dust-free area that is well ventilated. Avoid areas where heat, electrical noise and electromagnetic fields are generated. It will also require a grounded AC power outlet nearby. Be sure to read the precautions and considerations noted in ["Standardized Warning Statements for AC Systems"](#) on page 247.

2.2 Preparing for Setup

The box in which the SSG-542B-DE1CR90/E1CR90/E1CR60 server was shipped should include the rackmount hardware needed to install it into the rack. Read this section in its entirety before you begin the installation.

Choosing a Setup Location

- The server should be situated in a clean, dust-free area that is well ventilated. Avoid areas where heat, electrical noise and electromagnetic fields are generated.
- Leave enough clearance in front of the rack so that you can open the front door completely (~25 inches) and approximately 30 inches of clearance in the back of the rack to allow sufficient space for airflow and access when servicing.
- This product should be installed only in a Restricted Access Location (dedicated equipment rooms, service closets, etc.).
- This product is not suitable for use with visual display workplace devices according to §2 of the German Ordinance for Work with Visual Display Units.

Rack Precautions

- Ensure that the leveling jacks on the bottom of the rack are extended to the floor so that the full weight of the rack rests on them.
- In single rack installations, stabilizers should be attached to the rack. In multiple rack installations, the racks should be coupled together.
- Always make sure the rack is stable before extending a server or other component from the rack.
- You should extend only one server or component at a time. Extending two or more simultaneously may cause the rack to become unstable.

System Precautions

- Review the electrical and general safety precautions in "[Standardized Warning Statements for AC Systems](#)" on page 247.
- Determine the placement of each component in the rack before you install the rails.
- Install the heaviest server components at the bottom of the rack first and then work your way up.

- Use a regulating uninterruptible power supply (UPS) to protect the server from power surges and voltage spikes and to keep your system operating in case of a power failure.
- Allow any drives and power supply modules to cool before touching them.
- When not servicing, always keep the front door of the rack and all covers/panels on the servers closed to maintain proper cooling.

Rack Mounting Considerations



Warning! Stability hazard. The rack may tip over causing serious personal injury. Before extending the rack to the installation position, read the installation instructions. Do not put any load on the slide-rail mounted equipment in the installation position. Do not leave the slide-rail mounted equipment in the installation position.



Avertissement!

Danger d'instabilité. Le rack peut basculer et provoquer des blessures corporelles graves.

Avant d'étendre le rack en position d'installation, lire les instructions d'installation. Ne pas charger l'équipement monté sur rail de glissière en position d'installation. Ne pas laisser l'équipement monté sur rail de glissière en position d'installation.

Important: To prevent bodily injury when mounting or servicing this unit in a rack, you must take special precautions to ensure that the system remains stable. The following guidelines are provided to ensure your safety:

- If this unit is the only unit in the rack, it should be mounted at the bottom of the rack.
- When mounting this unit in a partially filled rack, load the rack from the bottom to the top, placing the heaviest component at the bottom of the rack.
- If the rack is provided with stabilizing devices, install the stabilizers before mounting or servicing the unit in the rack.
- Slide rail mounted equipment is not to be used as a shelf or a workspace.
- Do not pick up the server with the front handles. They are designed to pull the system from a rack only.

Ambient Operating Temperature

If installed in a closed or multi-unit rack assembly, the ambient operating temperature of the rack environment may be greater than the room's ambient temperature. Therefore, consideration should be given to installing the equipment in an environment compatible with the manufacturer's maximum rated ambient temperature (TMRA).

Airflow

Equipment should be mounted into a rack so that the amount of airflow required for safe operation is not compromised.

Mechanical Loading

Equipment should be mounted into a rack so that a hazardous condition does not arise due to uneven mechanical loading.

Circuit Overloading

Consideration should be given to the connection of the equipment to the power supply circuitry and the effect that any possible overloading of circuits might have on overcurrent protection and power supply wiring. Appropriate consideration of equipment nameplate ratings should be used when addressing this concern.

Reliable Ground

A reliable ground must be maintained at all times. To ensure this, the rack itself should be grounded. Particular attention should be given to power supply connections other than the direct connections to the branch circuit (i.e. the use of power strips, etc.).

2.3 Installing the Rails

This section provides information on installing the CSE-947HTS/947STS chassis into a rack unit with the rails provided. You should also refer to the installation instructions that came with the rack unit you are using. There are a variety of rack units on the market, which may mean that the assembly procedure will differ slightly from the instructions provided. Do not use a two-post Telco-type rack.

Note: This rail will fit a rack between 26.5" and 36.4" deep.

Releasing the Inner Rail

The front and rear ends of the rail each have a locking latch. This latch is used to attach the rails to the rack. To mount the rails onto the rack, first extend them by releasing the inner rails from the outer rails.

Using a screwdriver, loosen the screws holding the inner rail in place inside the outer rail.

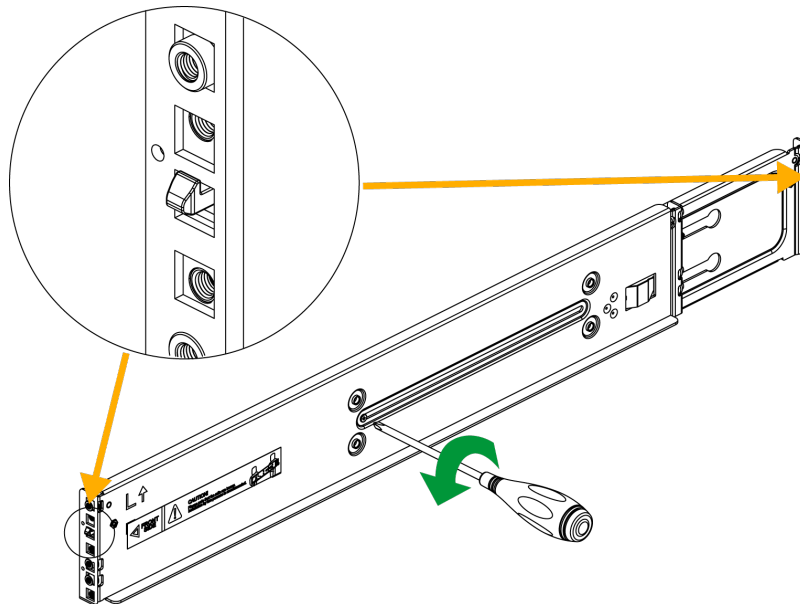


Figure 2-1. Releasing the Inner Rail

Installing the Rails onto the Rack

The front and rear ends of the rail each have a locking latch. This latch is used to attach the rails to the rack.

1. Mount the front end of the rail by pushing the outer rail latch through one of the square holes on the front of the rack.
2. Pull the inner rail out of the outer rail until it reaches the rear of the rack.
3. Mount the rear end of the rail by pushing the inner rail latch through one of the square holes on the rear of the rack. Take care to use the proper holes so that the rail is level.

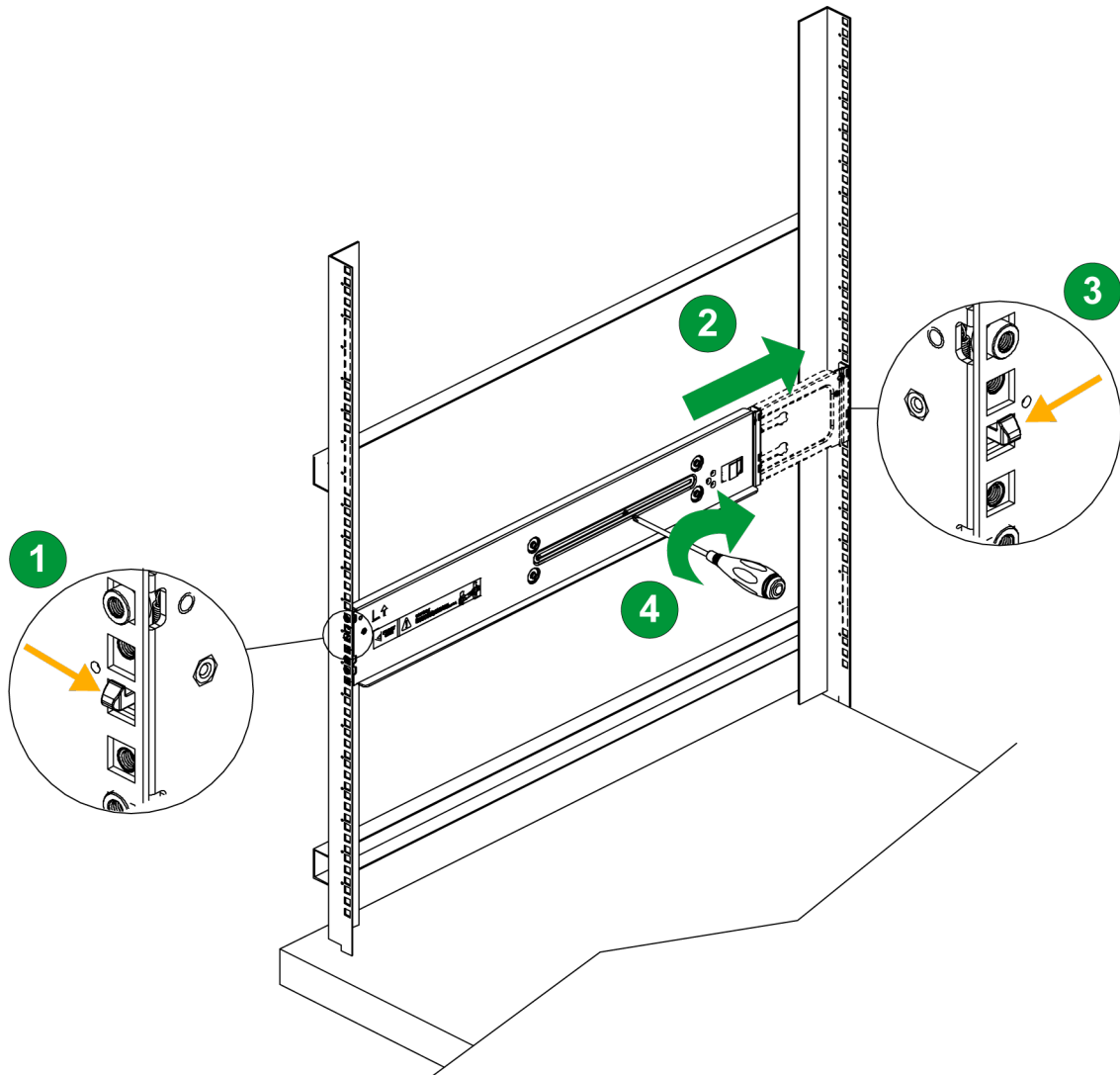


Figure 2-2. Installing Rails and Placing Latches

- Secure the length of the extended rail by tightening the screws into the holes closer to the inner rail.

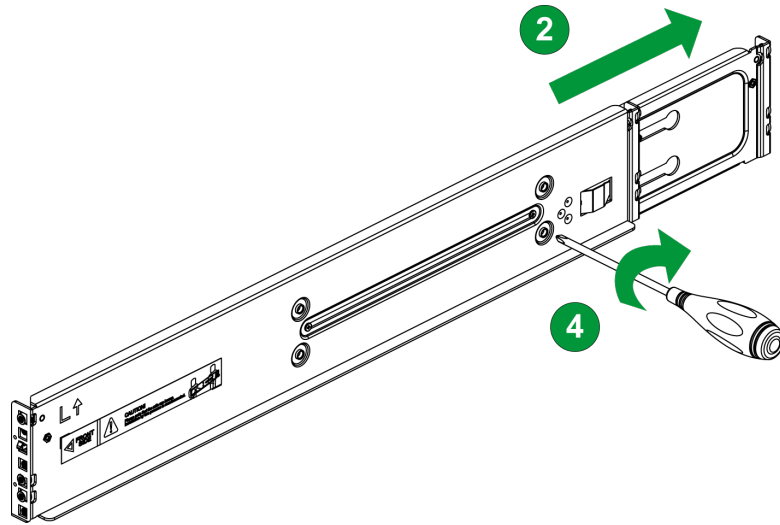


Figure 2-3. Extending the Rail

- Repeat the preceding steps for the other rail, making sure it is mounted at the same height as the first installed rail so that they are parallel.

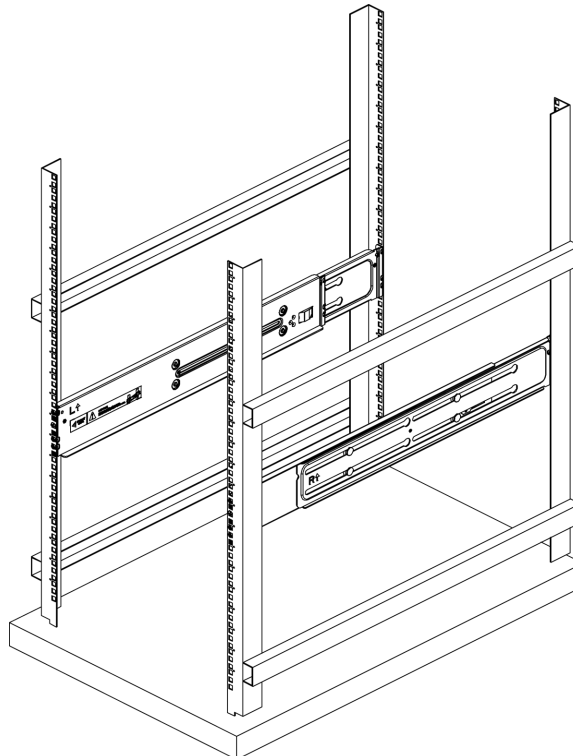


Figure 2-4. Rails Installed in the Rack

- Secure the rails to the rack by installing screws into the square holes on the front and rear of the rack aligned with the rail holes.

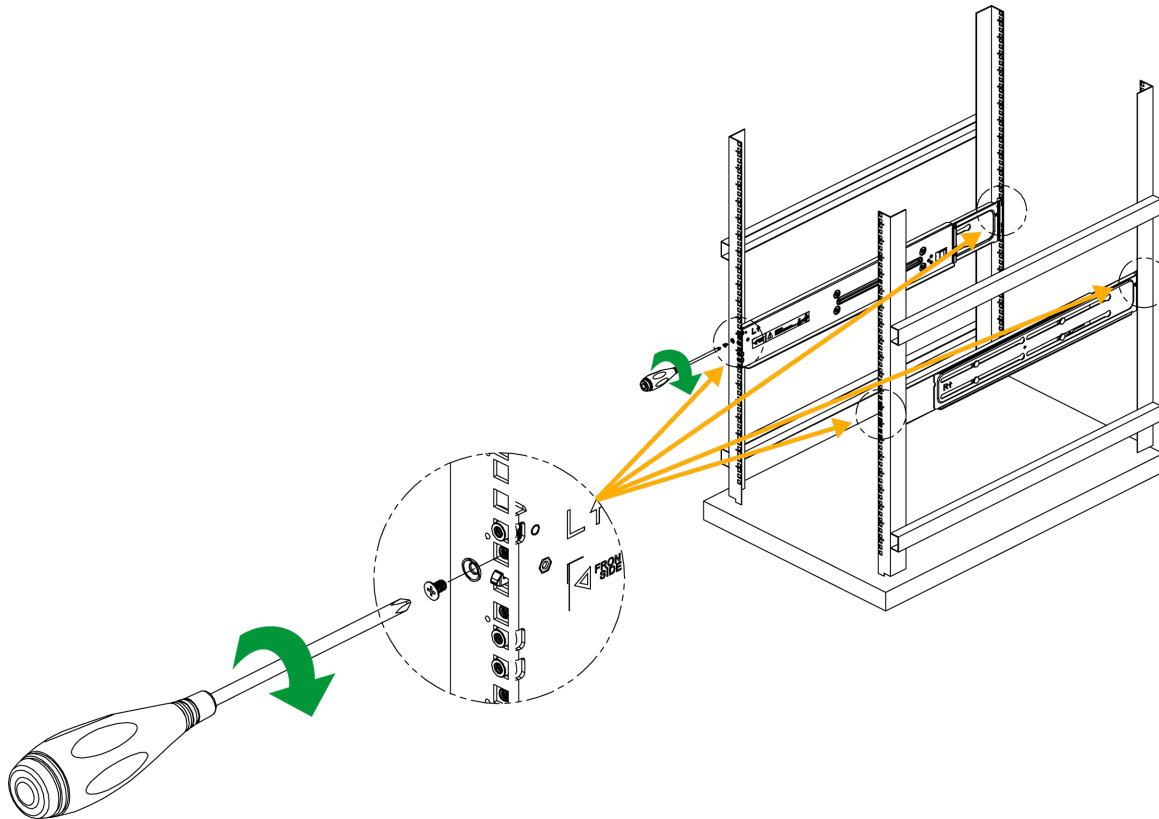


Figure 2-5. Securing the Rails to the Rack

2.4 Installing the Chassis into the Rack

Important: Use caution when mounting or removing the system from the rack. For large systems, at least one other person must assist during installation or removal. Follow the safety recommendations printed on the rails. Depending on the size of the system, you might need to use a lift.

Important: Do not pick up the server with the front handles. They are designed to pull the system from a rack only.

1. Align the sides of the chassis with the front of the rails.
2. Slide the chassis into the rails, keeping the pressure even on both sides.

Important: This figure is for illustrative purposes only. Always install servers to the bottom of a rack first.

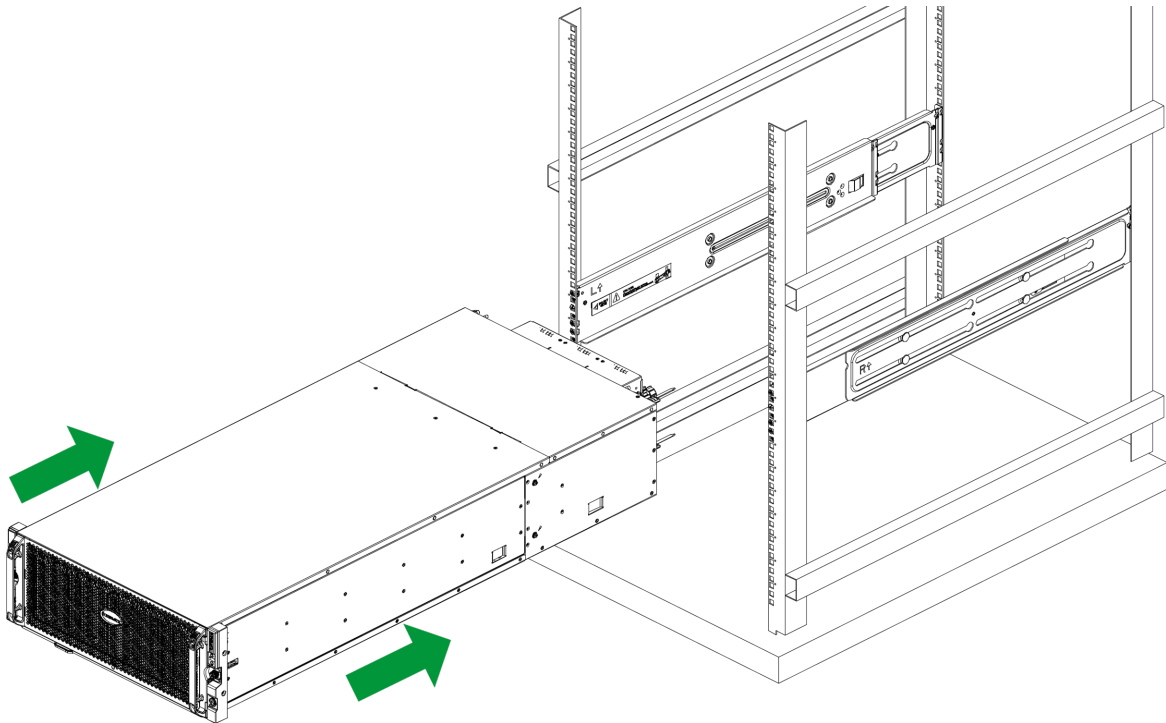


Figure 2-6. Installing the SSG-542B-DE1CR90/E1CR90/E1CR60 into the Rack (CSE-947HTS-R2K63P pictured)

3. Push the chassis all the way into the rear of the rack until side brackets on the front of the chassis touch the front of the rack.

4. Secure the front of the chassis to the front of the rack by tightening screws through the chassis bracket holes and the rack holes aligned with them.

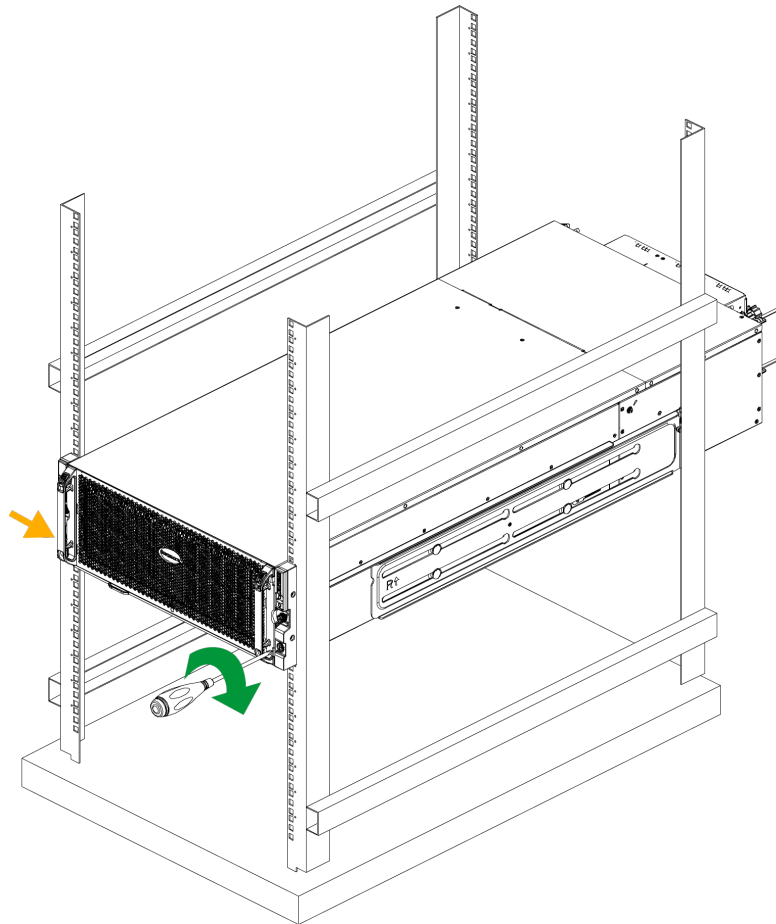


Figure 2-7. Securing the SSG-542B-DE1CR90/E1CR90/E1CR60 into the Rack

Chapter 3:

Maintenance and Component Installation

This chapter provides instructions on installing and replacing main system components for the SSG-542B-DE1CR90/E1CR90/E1CR60 server. To prevent compatibility issues, only use components that match the specifications and/or part numbers given.

Installation or replacement of most components require that power first be removed from the system. Follow the procedures given in each section.

3.1 Removing Power	46
3.2 Accessing the System	47
Opening the HDD Drawer	47
3.3 Static-Sensitive Devices	49
Precautions	49
3.4 Processor and Heatsink Installation	50
LGA 4710 Socket E2 Processors	51
Overview of the Processor Carrier	51
Overview of the Processor Socket	53
Overview of the Processor Heatsink Module	53
Installing the Processor	55
Assembling the Processor Heatsink Module	58
Preparing the Processor Socket for Installation	60
Preparing to Install the PHM into the Processor Socket	61
Installing the Processor Heatsink Module	62
Removing the Processor Heatsink Module	64
3.5 Memory Support and Installation	67
Memory Support	67
General Guidelines for Optimizing Memory Performance	72
DIMM Installation	72
DIMM Removal	75
3.6 Motherboard Battery Removal and Installation	76
Battery Removal	76
Proper Battery Disposal	76

Battery Installation	76
3.7 Storage Drives	77
Drive Carrier Indicators	77
Installing Drives	78
Installing Drives into the Chassis on a Rack	79
Expander Modules	83
Hot-Swap for NVMe Drives	85
3.8 System Cooling	86
Fans	86
3.9 Power Supply	88
Power Supply LEDs	88
Replacing the Power Supply	88

3.1 Removing Power

Before performing some setup or maintenance tasks, use the following procedure to ensure that power has been removed from the SSG-542B-DE1CR90/E1CR90/E1CR60 server. This step is necessary when removing or installing non hot-swap components or when replacing a non-redundant power supply.

1. Use the operating system to power down the system.
2. After the system has completely shut-down, disconnect the AC power cord(s) from the power strip or outlet. (If your system has more than one power supply, remove the AC power cords from all power supply modules.)
3. Disconnect the power cord(s) from the power supply module(s).

3.2 Accessing the System

Drive bays can be accessed by pulling the front HDD drawer out of the chassis. Other components can be accessed through the front or rear of the chassis.

Important: Except for short periods of time, do not operate the server without the HDD drawer in place. The drawer must be in place to allow for proper airflow and to prevent overheating.

Opening the HDD Drawer

The drives can be accessed by opening the drawer that contains them.

1. A locking handle is on either side of the chassis front. To unlock the drawer, press the release buttons on the front handles down into the unlocked position.

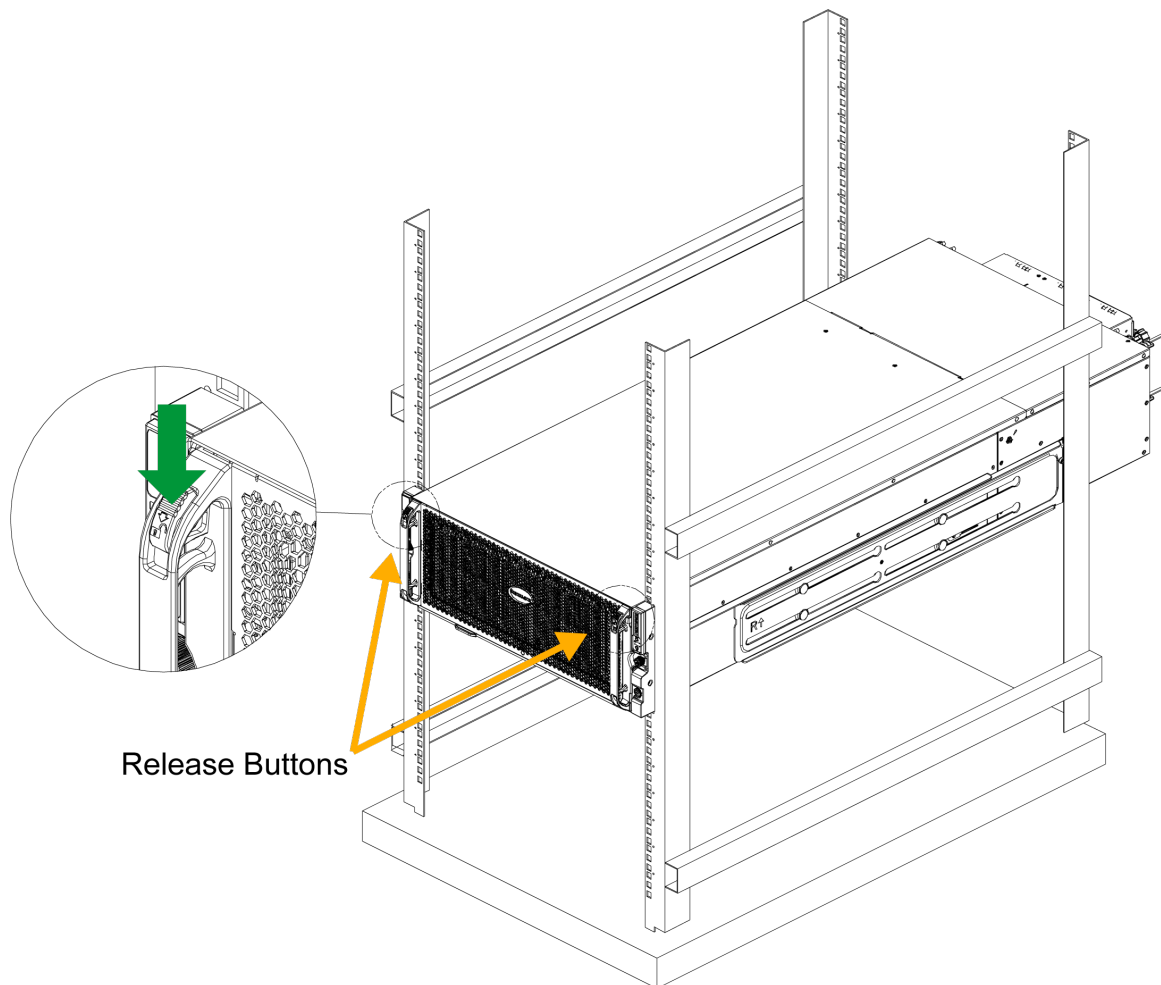


Figure 3-1. Opening the HDD Drawer (CSE-947HTS-R2K63P pictured)

2. Simultaneously pull both handles forward, sliding the HDD drawer out of the storage enclosure.
3. Push the drive carrier handle to release the carrier and pull it from the chassis.

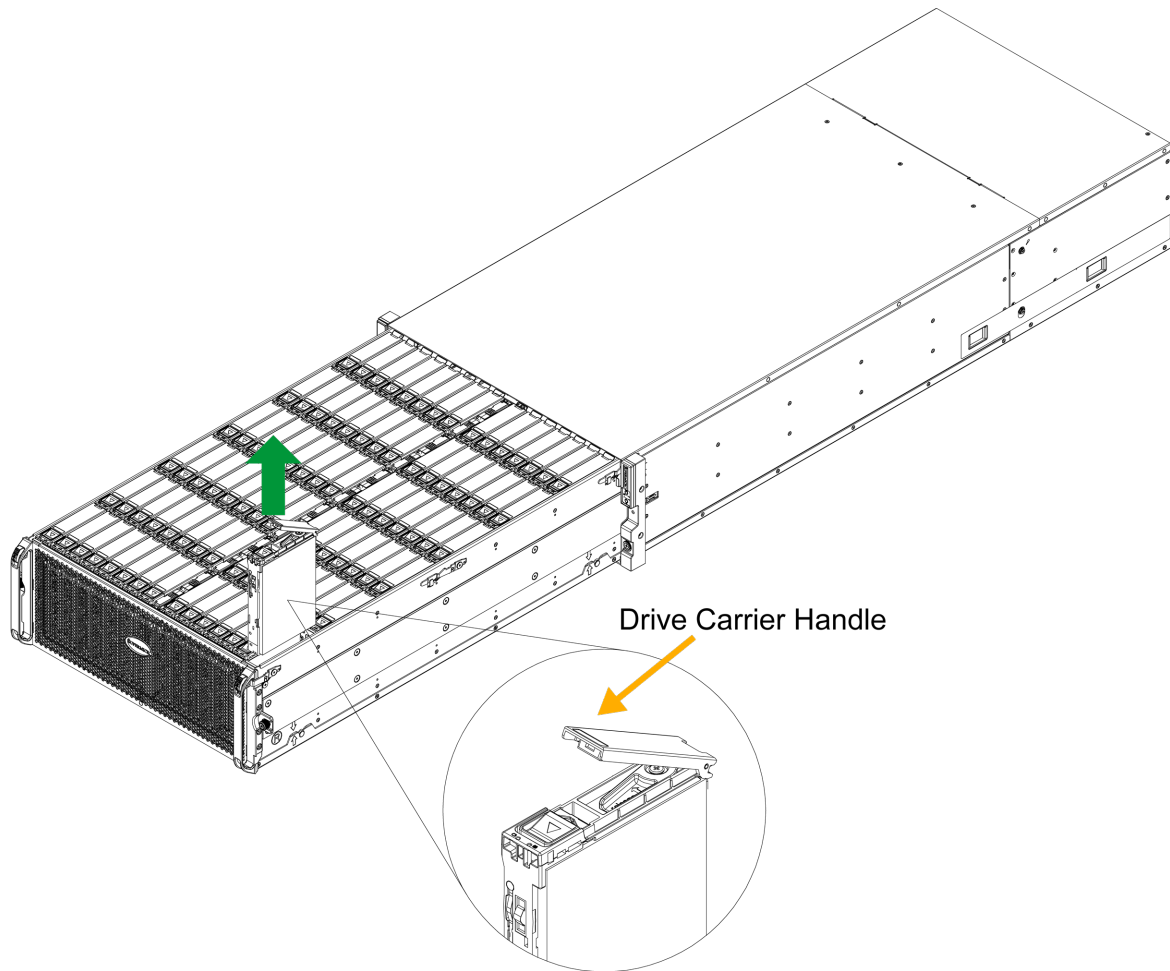


Figure 3-2. Removing an HDD Carrier

3.3 Static-Sensitive Devices

Electrostatic Discharge (ESD) can damage electronic components. To avoid damaging your motherboard, it is important to handle it very carefully. The following measures are generally sufficient to protect your equipment from ESD.

Precautions

- Use a grounded wrist strap designed to prevent static discharge.
- Touch a grounded metal object before removing the board from the antistatic bag.
- Handle the motherboard only by its edges. Do not touch its components, peripheral chips, memory modules, or gold contacts.
- When handling chips or modules, avoid touching their pins.
- Put the motherboard and peripherals back into their antistatic bags when not in use.
- For grounding purposes, make sure that your computer chassis provides excellent conductivity between the power supply, the case, the mounting fasteners, and the motherboard.
- Use only the correct type of onboard CMOS battery. To avoid possible explosion, do not install the onboard battery upside down.

3.4 Processor and Heatsink Installation

This section provides procedures to install the processor(s) and heatsink(s).

Notes:

- Take industry standard precautions to avoid ESD damage. For details, see "[Static-Sensitive Devices](#)" on the previous page.
- Before starting, make sure that the plastic socket cap is in place and none of the socket pins are bent. If any damage is noted, contact your retailer.
- Do not connect the system power cord before the processor and heatsink installation is complete.
- When handling the processor, avoid touching or placing direct pressure on the LGA lands (gold contacts). Improper installation or socket misalignment can cause serious damage to the processor or processor socket.
- When buying a processor separately, use only a Supermicro certified heatsink.
- Refer to the Supermicro website for the most recent processor support.
- When installing the heatsink, ensure a torque driver set to the correct force is used for each screw.
- Thermal grease is pre-applied on a new heatsink. No additional thermal grease is needed.

LGA 4710 Socket E2 Processors

Processor Top View

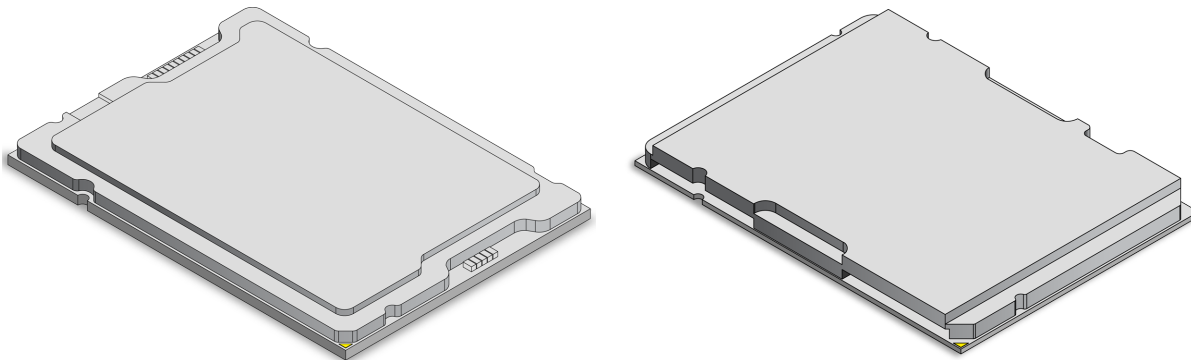


Figure 3-3. Processor (SP XCC left, SP HCC/LCC right)

Note: The motherboard supports three processor SKUs: SP XCC, SP HCC, and SP LCC. Each SKU supports a specific carrier; the SP XCC processor supports Carrier E2A while SP HCC and SP LCC support Carrier E2B. Make sure the processors of the same SKU are on the motherboard.

Overview of the Processor Carrier

The motherboard supports two types of processors and their associated processor carrier.

Processor Carriers

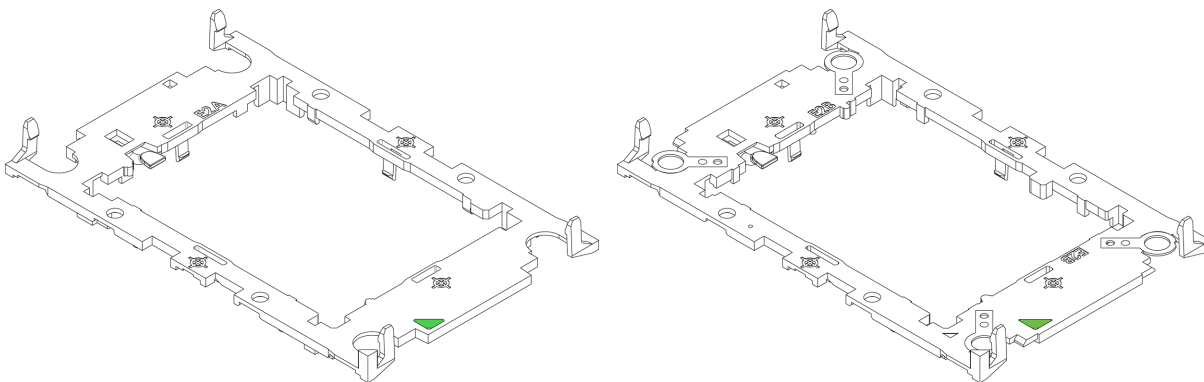


Figure 3-4. Carrier (SP XCC E2A left, SP HCC/LCC E2B right)

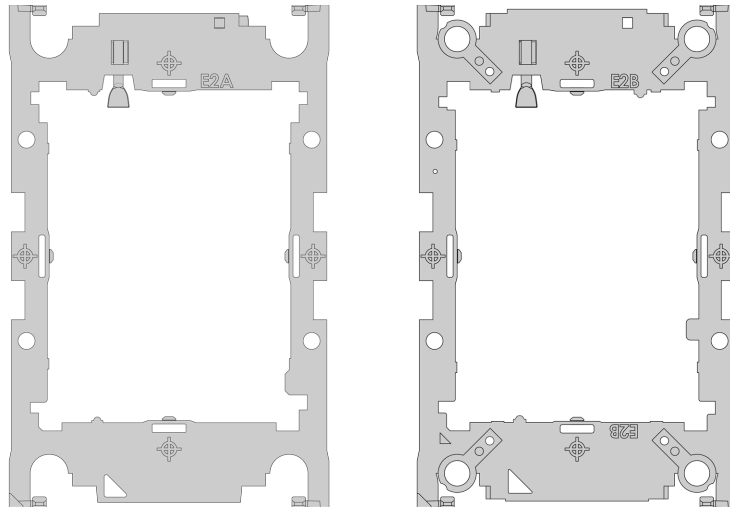


Figure 3-5. Carrier Top View (SP XCC E2A left, SP HCC/LCC E2B right)

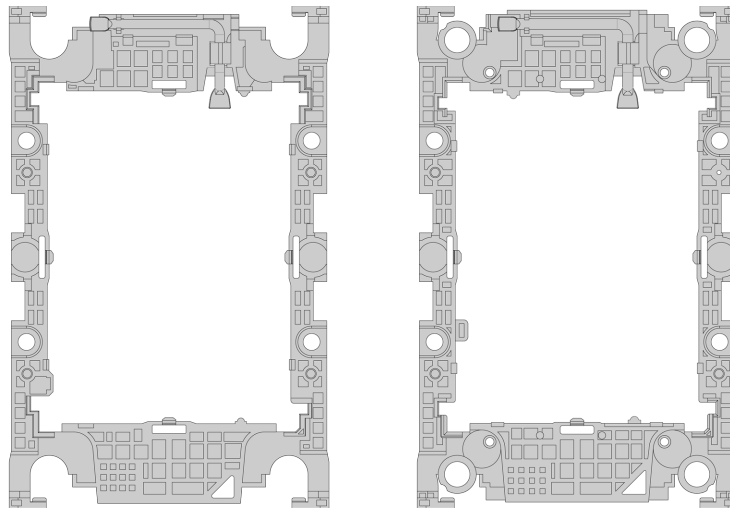


Figure 3-6. Carrier Bottom View (SP XCC E2A left, SP HCC/LCC E2B right)

Overview of the Processor Socket

The processor socket is protected by a plastic protective cover.

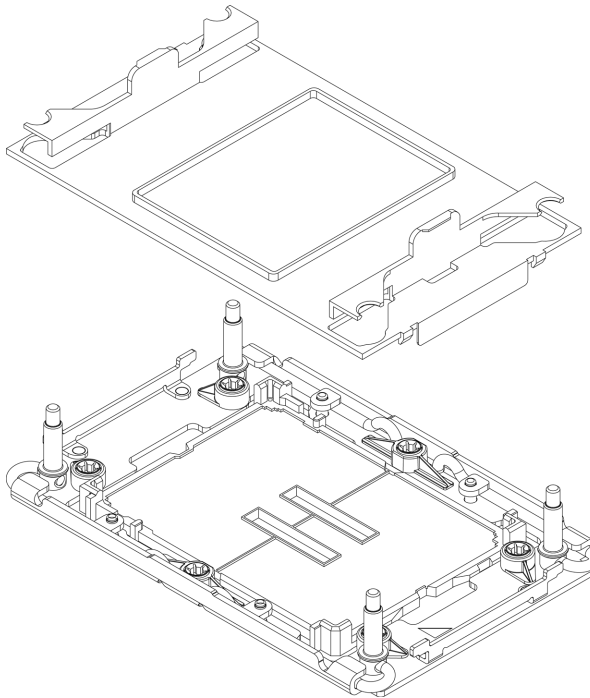


Figure 3-7. Plastic Protective Cover and Processor Socket

Overview of the Processor Heatsink Module

The Processor Heatsink Module (PHM) contains a heatsink, a processor carrier, and the processor.

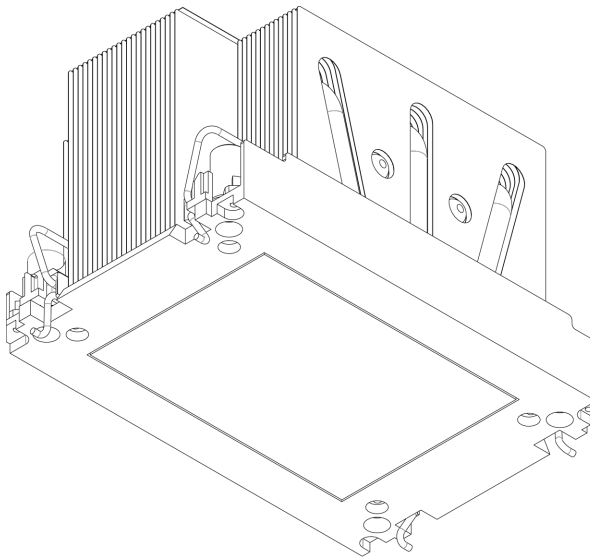


Figure 3-8. Heatsink (2U)

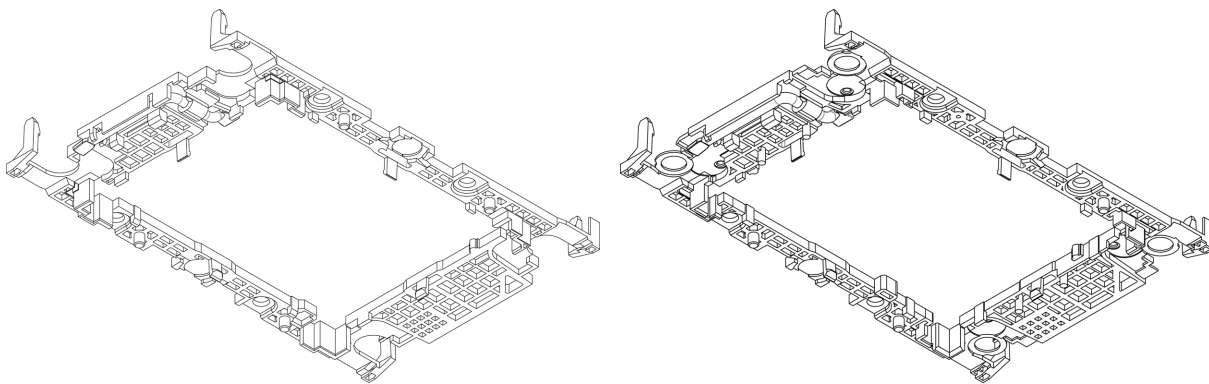


Figure 3-9. Carrier (SP XCC E2A left, SP HCC/LCC E2B right)

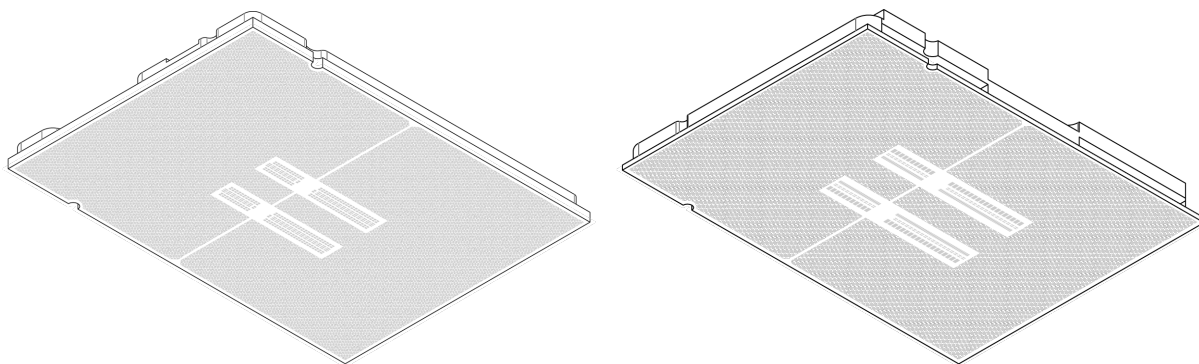


Figure 3-10. Processor (SP XCC E2A left, SP HCC/LCC E2B right)

Installing the Processor

To install the processor, follow the steps below:

1. Before installation, make sure the lever on the processor carrier is pressed down as shown below.

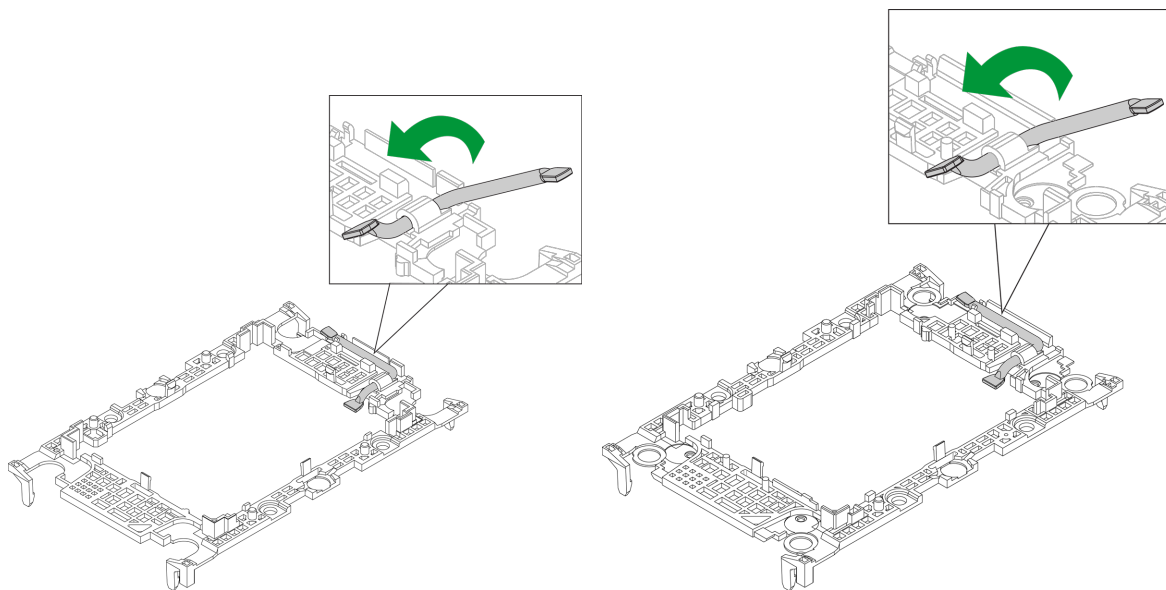


Figure 3-11. Carrier Lever (SP XCC left, SP HCC/LCC right)

2. Hold the processor with the LGA lands (gold contacts) facing up. Locate the small, gold triangle in the corner of the processor and the corresponding hollowed triangle on the processor carrier. These triangles indicate pin 1.

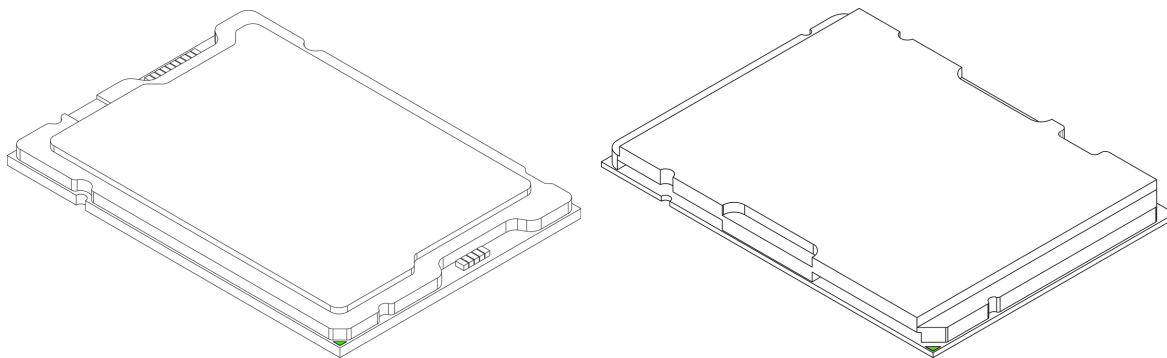


Figure 3-12. Processor (SP XCC E2A left, SP HCC/LCC E2B right)

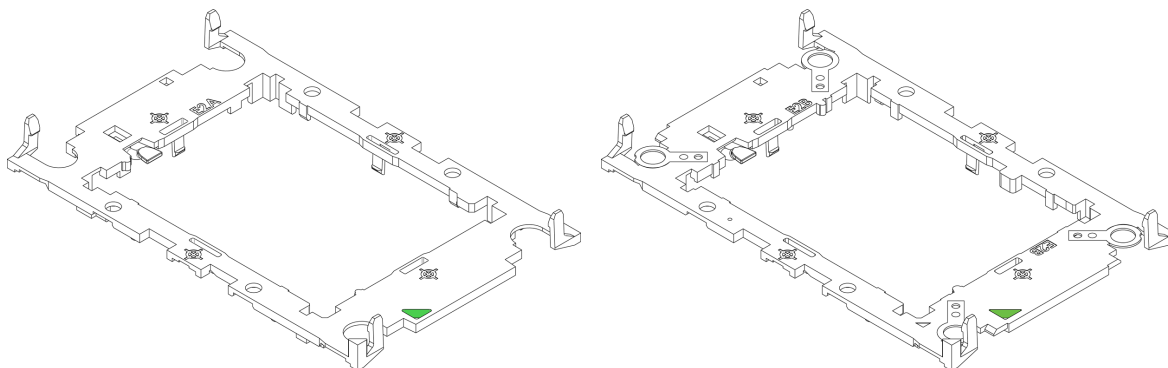


Figure 3-13. Carrier (SP XCC E2A left, SP HCC/LCC E2B right)

3. Use the triangles as a guide to carefully align and place one end of the processor into the latch marked A, and place the other end of the processor into the latch marked B as shown below.

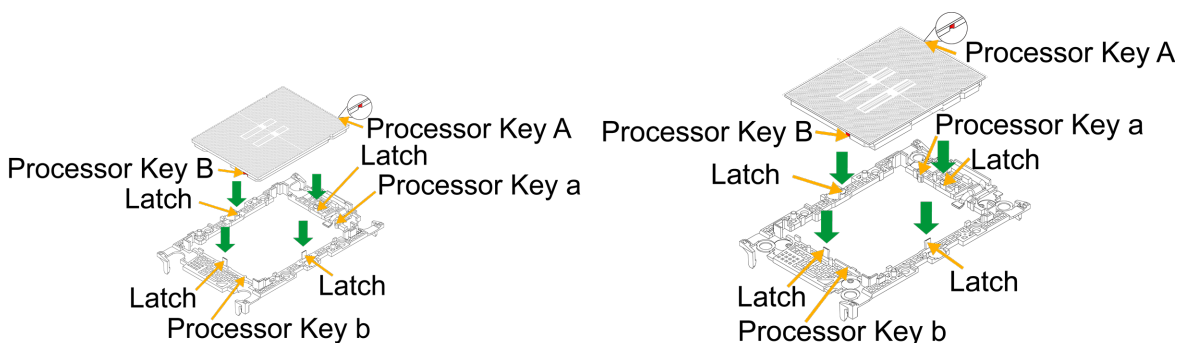


Figure 3-14. Keys and Latches Locations (SP XCC E2A left, SP HCC/LCC E2B right)

4. Examine all corners to ensure that the processor is firmly attached to the carrier.

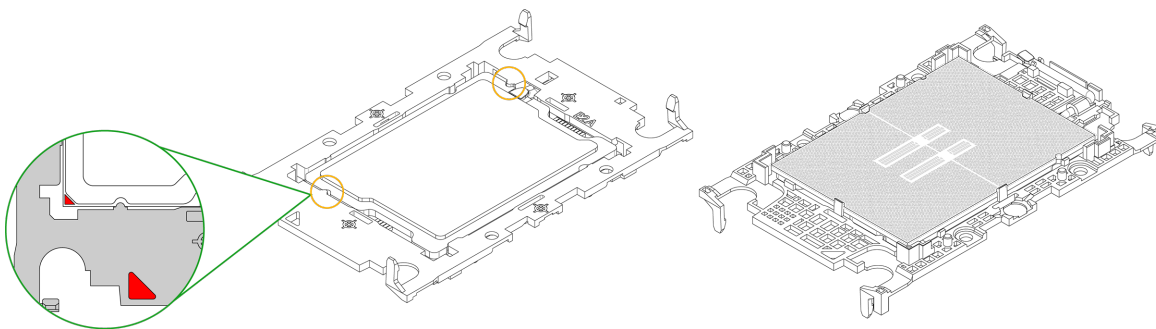


Figure 3-15. SP XCC E2A Keys and Latches

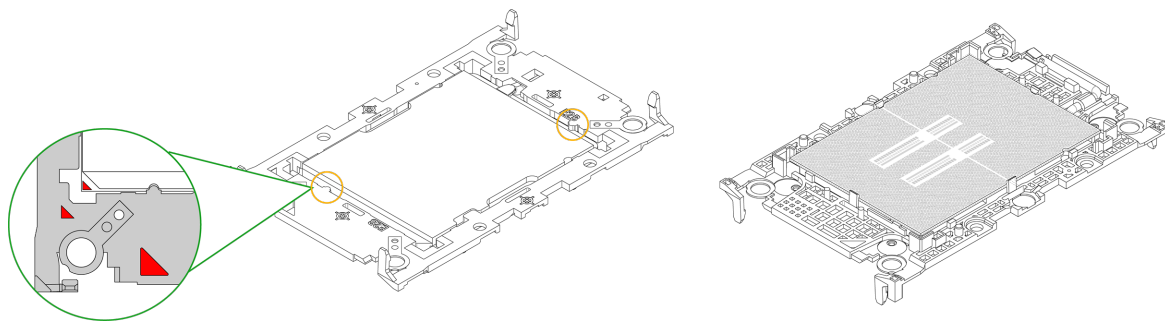


Figure 3-16. SP HCC/LCC E2B Keys and Latches Together

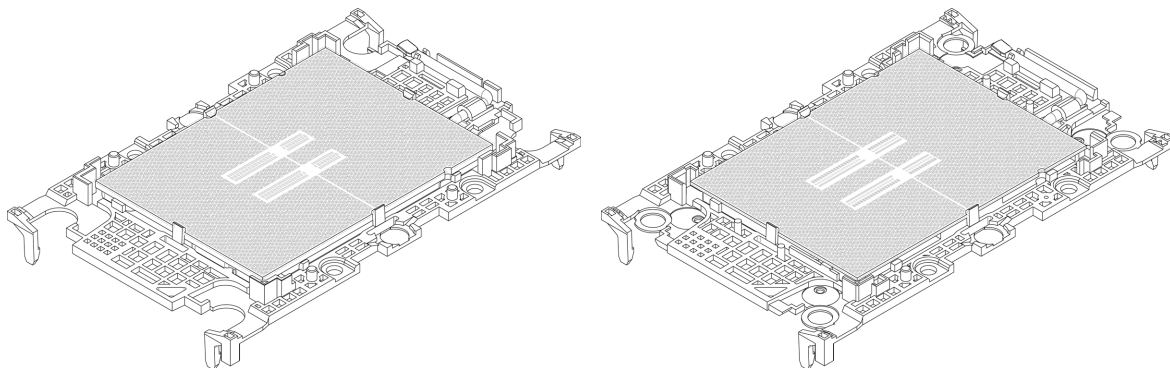


Figure 3-17. Carrier Assembly Completed (SP XCC E2A left, SP HCC/LCC E2B right)

Assembling the Processor Heatsink Module

After installing the processor into the carrier, mount it onto the heatsink to create the processor heatsink module (PHM):

1. Note the label on top of the heatsink, which marks the airflow direction. Turn the heatsink over and orient the heatsink so the airflow arrow is pointing towards the triangle on the processor.
2. If this is a new heatsink, the thermal grease has been pre-applied. Otherwise, apply the proper amount of thermal grease.
3. Hold the processor carrier so the processor's gold contacts are facing up, then align the holes of the processor carrier with the holes on the heatsink. Press the processor carrier down until it snaps into place. The plastic clips of the processor carrier will lock at the four corners.

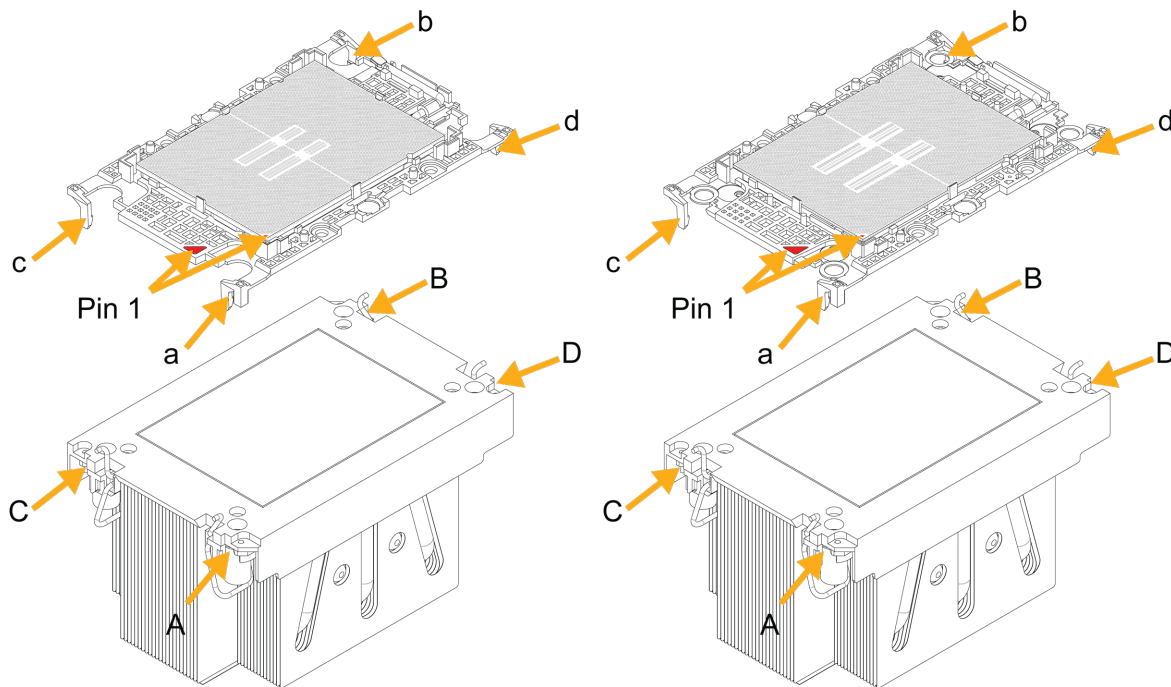


Figure 3-18. Carrier with 2U Heatsink (SP XCC left, SP HCC/LCC right)

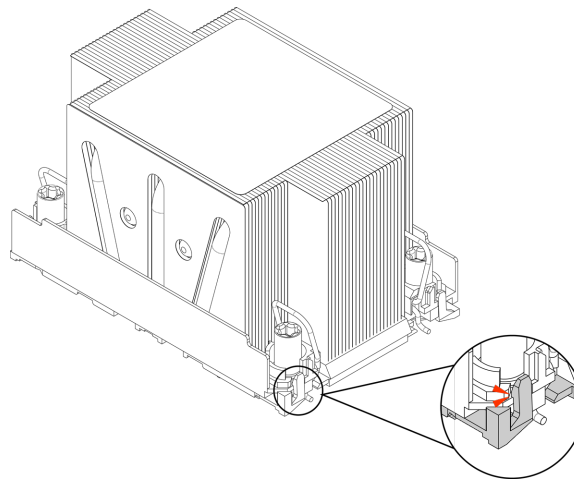


Figure 3-19. PHM Plastic Clips Locked (2U)

4. Examine all corners to ensure that the plastic clips on the processor carrier are firmly attached to the heatsink.

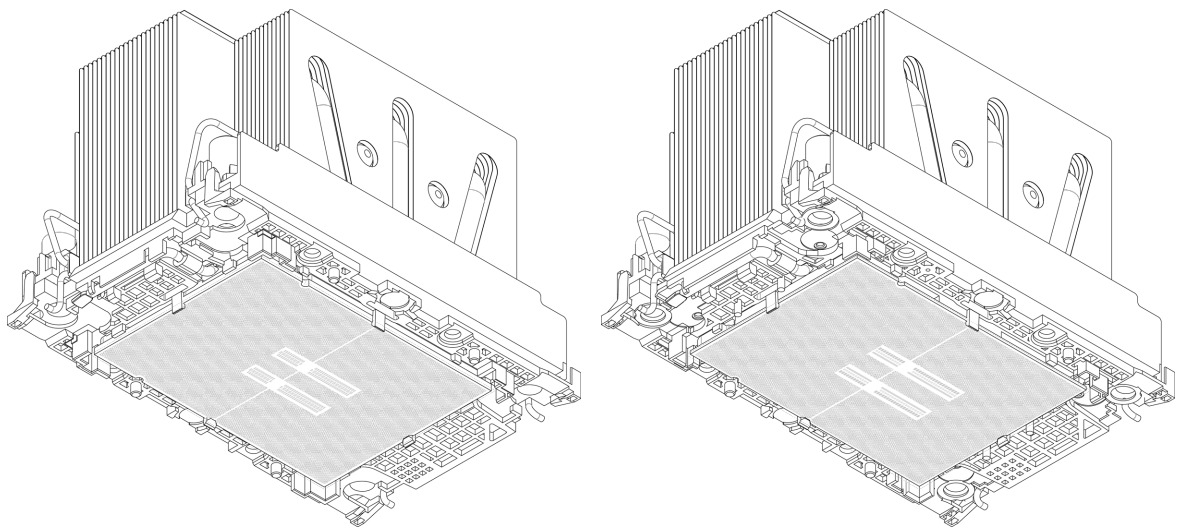


Figure 3-20. 2U PHM Completed (SP XCC left, SP HCC/LCC right)

Preparing the Processor Socket for Installation

This motherboard comes with a plastic protective cover installed on the processor socket. Remove it from the socket to install the Processor Heatsink Module (PHM). Gently pull up one corner of the plastic protective cover to remove it.

1. Press the tabs inward.

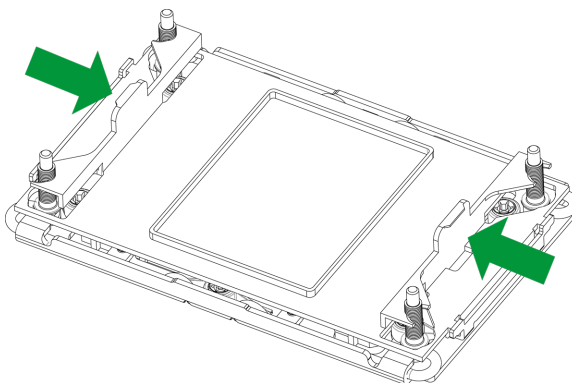


Figure 3-21. Processor Socket with Plastic Protective Cover

2. Pull up the protective cover from the socket.

Note: Do not touch or bend the socket pins.

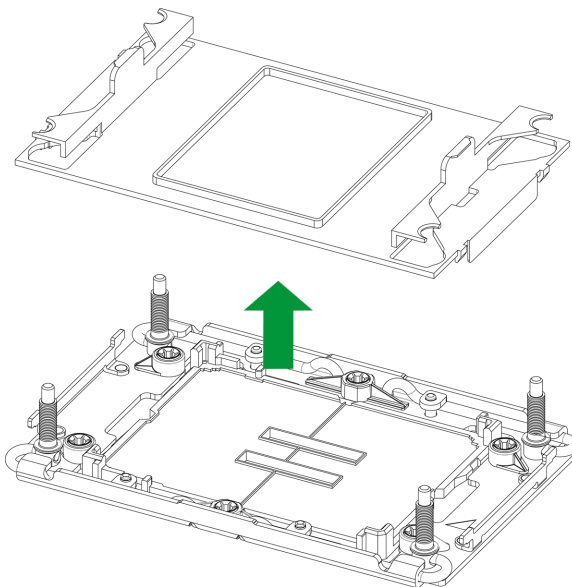
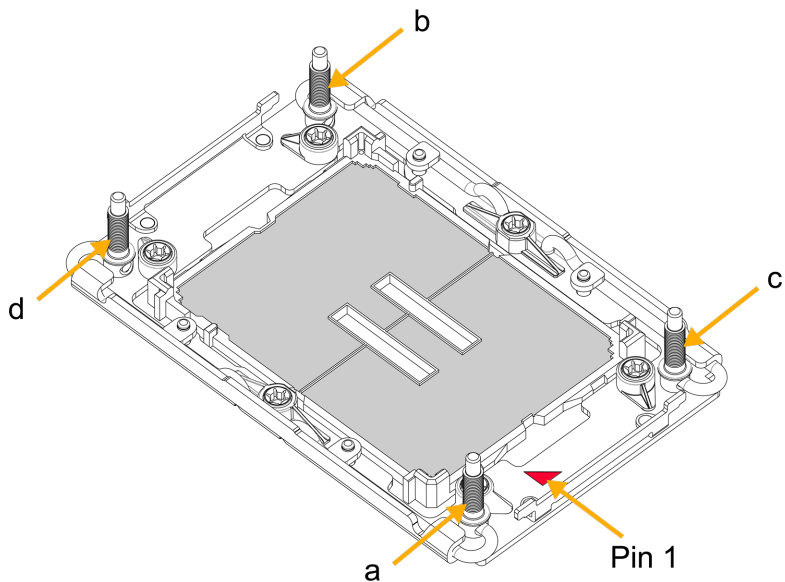


Figure 3-22. Plastic Protective Cover Removed

Preparing to Install the PHM into the Processor Socket

After assembling the Processor Heatsink Module (PHM), you are ready to install it into the processor socket. To ensure the proper installation, follow the procedures below:

1. Locate four threaded fasteners (marked a, b, c, and d) on the processor socket.



a, b, c, d: Threaded Fasteners

Figure 3-23. Threaded Fasteners

2. Locate four PEEK nuts (marked A, B, C, and D) and four rotating wires (marked 1, 2, 3, and 4) on the heatsink.

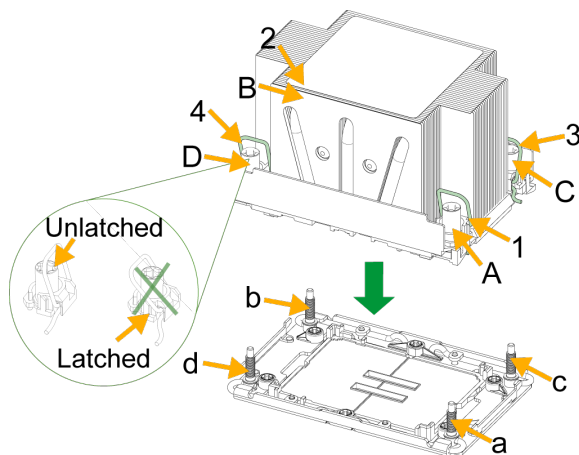


Figure 3-24. PEEK Nuts and Rotating Wires (2U)

3. Check the rotating wires (marked 1, 2, 3, and 4) to make sure that they are at unlatched positions before installing the PHM into the processor socket.

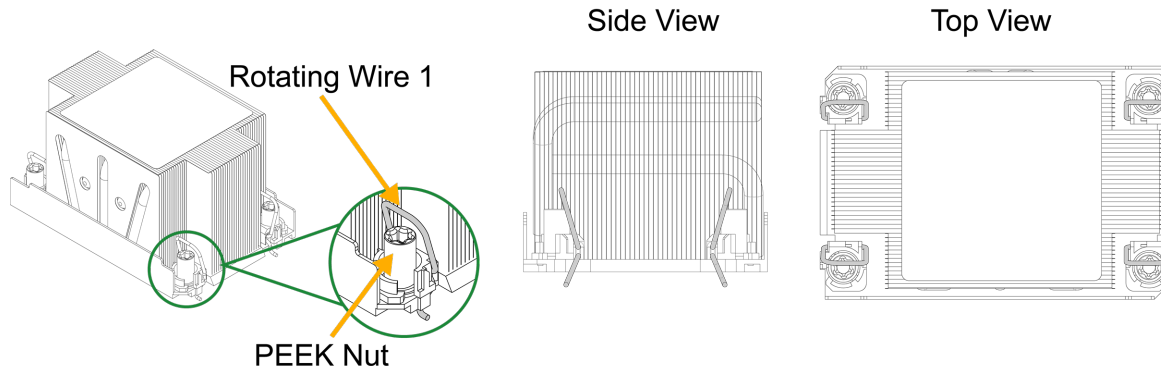
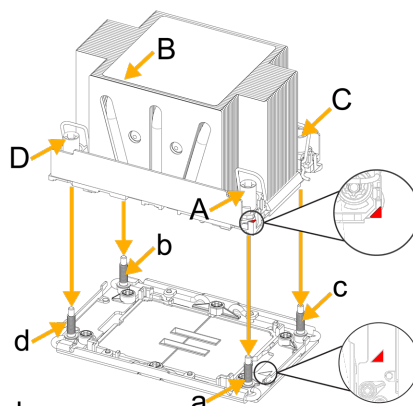


Figure 3-25. 2U Unlatched Positions

Installing the Processor Heatsink Module

1. Align pin 1 of the PHM with the printed triangle on the processor socket.
2. Make sure all four PEEK nuts of the heatsink (marked A, B, C, and D) are aligned with the threaded fasteners (marked a, b, c, and d), then gently place the heatsink on top of the processor socket.

A, B, C, D:
PEEK Nut on the Heatsink



a, b, c, d:
Threaded Fastener on the processor socket

Figure 3-26. Aligning the Heatsink with the Socket (2U)

3. Press all four rotating wires outwards and make sure that the heatsink is securely latched into the processor socket.

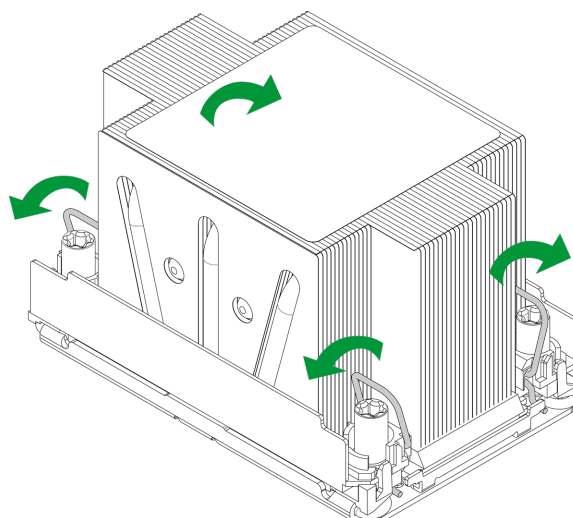


Figure 3-27. Latching the PHM (2U)

4. With a T30 bit torque driver set to a force of 8.0 in-lbf (0.904 N-m), gradually tighten the four screws to ensure even pressure. You can start with any screw, but make sure to tighten the screws in a diagonal pattern.

Important: Do not use a force greater than 8.0 in-lbf (0.904 N-m). Exceeding this force may over-torque the screw, causing damage to the processor, heatsink, and screw.

5. Examine all corners to ensure that the PHM is firmly attached to the socket.

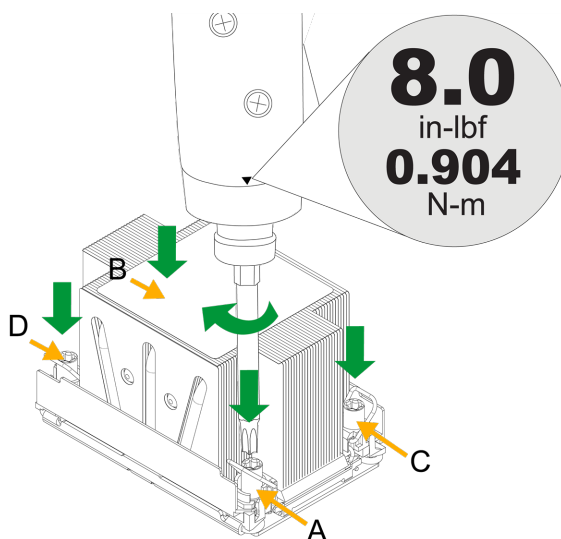


Figure 3-28. Installing the PHM with a Torque Driver (2U)

Removing the Processor Heatsink Module

Before removing the processor heatsink module (PHM) from the motherboard, shut down the system and then unplug the AC power cord from all power supplies.

Then follow the steps below:

1. Use a screwdriver to loosen the four screws. You can start with any screw, but make sure to loosen the screws in a diagonal pattern.

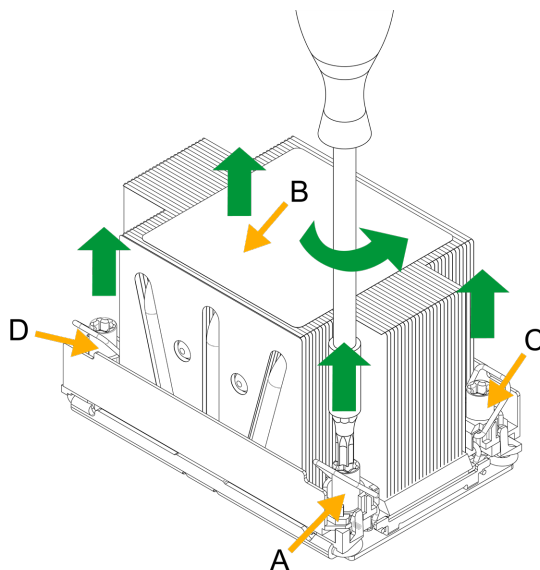


Figure 3-29. Loosening the Screws (2U)

2. Press the four rotating wires inwards to unlatch the PHM from the socket.

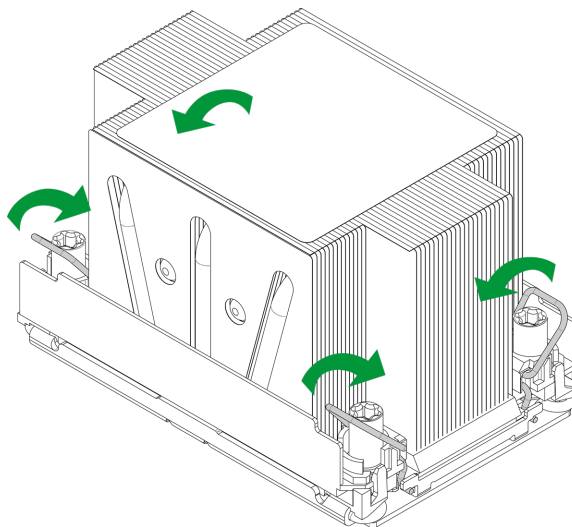


Figure 3-30. Unlatching the PHM (2U)

3. Gently lift the PHM upwards to remove it from the socket.

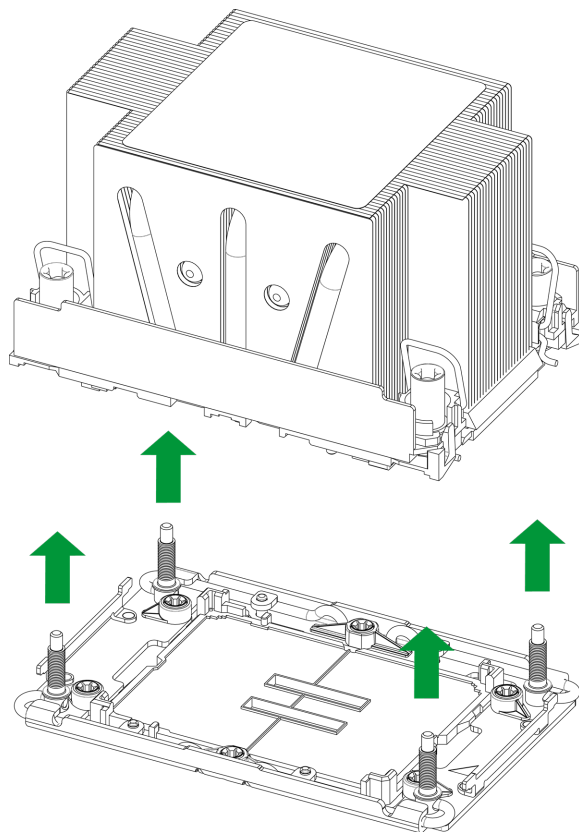


Figure 3-31. Removing the PHM from the Socket (2U)

4. To remove the processor from the heatsink, gently lift the lever from the processor carrier.

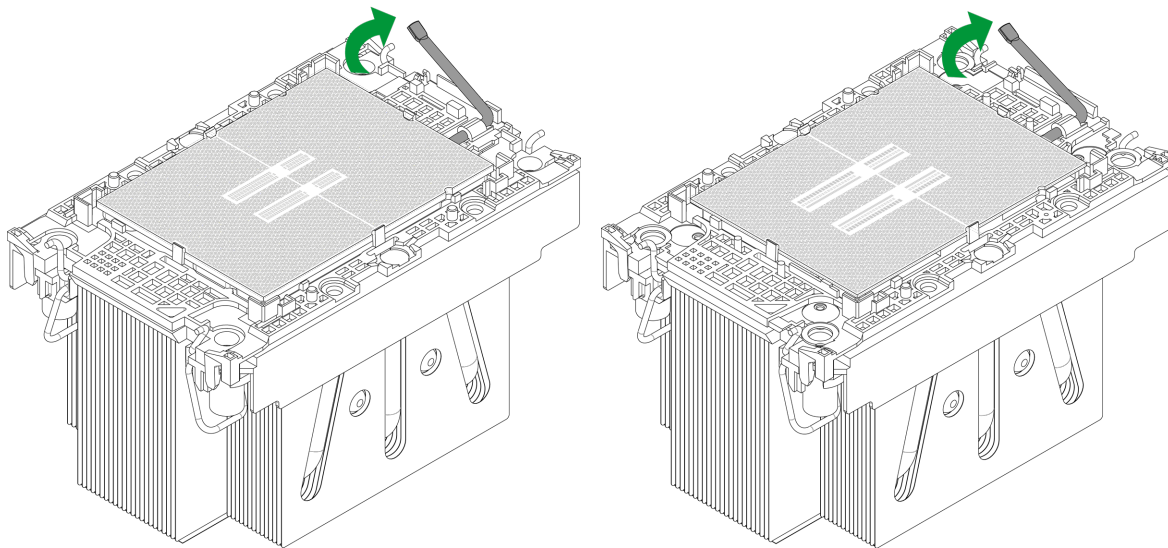


Figure 3-32. Carrier with 2U Heatsink (SP XCC left, SP HCC/LCC right)

5. To remove the processor, move the lever to its unlocked position and gently remove the processor.

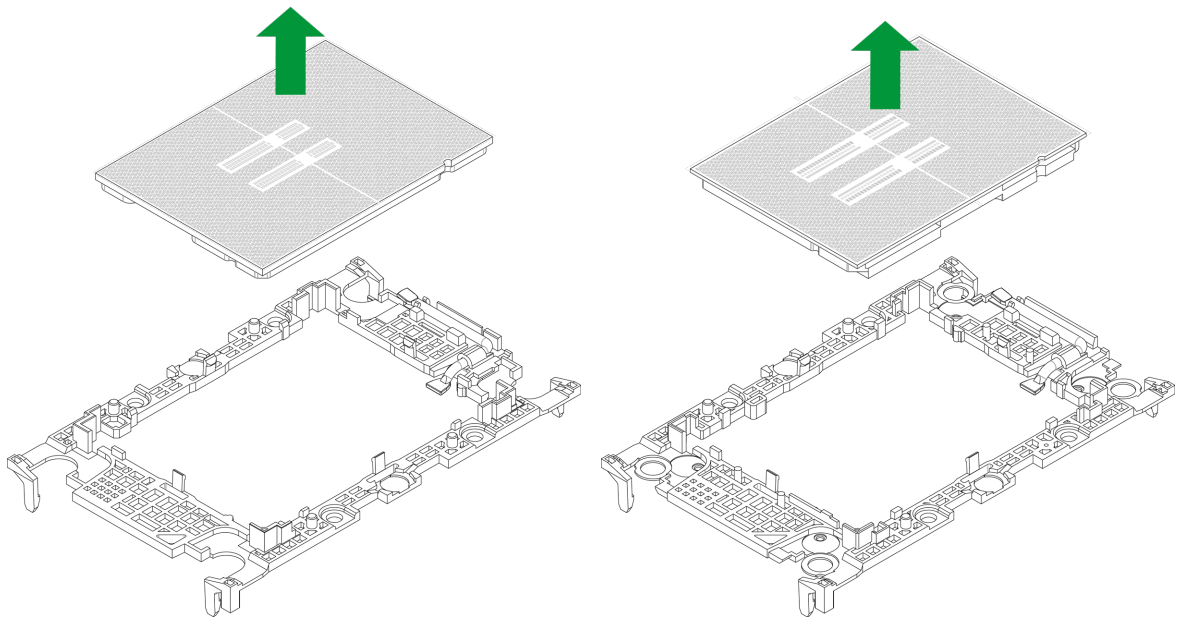


Figure 3-33. Removing the Processor (SP XCC left, SP HCC/LCC right)

3.5 Memory Support and Installation

Important: To prevent any damage, exercise extreme care when installing or removing memory modules.

Note: Check the Supermicro website for recommended memory modules.

Memory Support

The X14SBSC motherboard supports to 512 GB MRDIMM with speeds up to 8000 MT/s (1DPC) or 4 TB of 3DS RDIMM with speeds up to 6400 MT/s (1DPC) or 5200 MT/s (2DPC) in 16 memory slots.

Note: Intel® Xeon® 6700/6500-series processors with P-cores are required to support MRDIMM.

DDR5-6400 Memory Support for Intel® Xeon® 6700/6500-Series Processors with P-Cores									
Type	Ranks Per DIMM, Data Width (Stack)	DIMM Capacity (GB)						Speed (MT/s); Voltage (V); Slots per Channel (SPC) and DIMMs per Channel (DPC)	
		DRAM Density						1DPC/2SPC	2DPC/2SPC
		16 Gb		24 Gb		32 Gb			
		1DPC	2DPC	1DPC	2DPC	1DPC	2DPC	+1.1 V	
RDIMM	1Rx8	16 GB	-	24 GB	-	-	-	6400, 6000, 5600, 5200, 4800 (DDR5-6400 rated RDIMMs only)	5200, 4800 (DDR5-6400 rated RDIMMs only)
	1Rx4	32 GB	-	48 GB	-	-	-		
	2Rx8	32 GB	32 GB	48 GB	-	-	-		
	2Rx4	64 GB	64 GB [^]	96 GB	96 GB [^]	128 GB [*]	128 GB [*]		
3DS RDIMM	4Rx4	-	128 GB	-	-	-	-	8000, 7200 (MRDIMM-8800 only)	N/A
	8Rx4	-	256 GB	-	-	256 GB [^]	256 GB [^]		
MRDIMM	2Rx8	32 GB	-	-	-	-	-	8000, 7200 (MRDIMM-8800 only)	N/A
	2Rx4	64 GB	-	-	-	-	-		

Notes:

- The items marked with an asterisk (*) are supported in 1S/2S/4S systems. The items with circumflex (^) are supported in 8S systems. All others support 1S/2S only
MRDIMM is supported with only 1DPC configurations only.
- Intel Xeon 6700/6500 series processors with P-cores support up to 5200 MT/s speed in 2DPC configuration with 6400 MT/s DIMMs only. 5600 MT/s DIMMs are not supported.
- Intel Xeon 6700/6500-series processors with P-cores supports 1 DIMM per processor socket with the following DIMM configurations only: 16 GB/24 GB 1Rx8 and 32 GB/48 GB 1Rx8.

CXL Memory Configuration Support for Intel® Xeon® 6700/6500-Series Processors with P-Cores									
Native DDR5 Memory Per Socket				CXL Memory Per Socket					
Slot 0 DIMM Ranks	Slot 0 DIMM Capacity (GB)	DIMM Type	DRAM Density (Gb)	CXL Memory Channels	CXL Memory Type	CXL Capacity Per Device/Module	CXL Interleave	CXL Mode	4S and 8S support
2Rx4	96	10x4	24	2+2	DDR5 x8	96 GB [#]	1x4*, 2x2, 4x1	1LM+Vol	Yes
2Rx4	128	10x4	32	2+2	DDR4 x8 [#] , DDR x8	128 GB	1x4*, 2x2, 4x1	1LM+Vol	Yes
2Rx4	128	10x4	32	2+2	DDR5 x8	128 GB	hetero x12	Hetero	Yes
2Rx4	64	10x4	16	2+2+2	DDR5 x8	128 GB	1x6*, 2x3, 3x2	1LM+Vol	No
2Rx4	64	10x4	16	2	DDR5 x8	128 GB	1x2*	1LM+Vol	No
2Rx4	64	10x4	16	1+1	DDR5 x16	2ch 128 GB	1x2*	Intel Flat Memory Mode	Yes

Notes:

- The items with an asterisk (*) are the default settings in the BIOS.
- The Intel® Xeon® 6700/6500-series processors with P-cores CXL memory configurations are 1DPC ('Slot 0') only for native DDR5.
- CXL Memory Channel: number of devices per root port, with root ports separated by "+". e.g. 2+2+2+2 = four root ports populated with two devices per root port.
- CXL Interleave: sets x ways, e.g. 2x4 = One set of two modules, interleaved four-way
- CXL Modes:
 - 1LM+Vol= Native DDR5 ('1LM') and (volatile) CXL memory visible to SW as separate tiers, separately interleaved.
 - Hetero x12 = DDR5 and (volatile) CXL memory interleaved together in one 12-way set.
 - Flat Memory Mode = HW manages data movement between DDR5 and CXL memory, total capacity visible to SW

Intel® Xeon® 6700/6500-Series Processors with P-Cores DDR5 Memory Population Table (1 Processor and 16 DIMMs Installed, 2DPC)	
<i>DIMM Counts</i>	<i>Memory Population Sequence (2DPC)</i>
1 Processor and 1 DIMM (Recommended)	DIMMA1
1 Processor and 4 DIMMs (Recommended)	DIMMA1/DIMMC1/DIMME1/DIMMG1 DIMMB1/DIMMD1/DIMMF1/DIMMH1
1 Processor and 8 DIMMs	DIMMA1/DIMMA2/DIMMC1/DIMMC2/DIMME1/DIMME2/DIMMG1/DIMMG2 DIMMB1/DIMMB2/DIMMD1/DIMMD2/DIMMF1/DIMMF2/DIMMH1/DIMMH2 DIMMA1/DIMMB1/DIMMC1/DIMMD1/DIMME1/DIMMF1/DIMMG1/DIMMH1 (Recommended)
1 Processor and 12 DIMMs (Recommended)	DIMMA1/DIMMA2/DIMMB1/DIMMC1/DIMMC2/DIMMD1/ DIMME1/DIMME2/DIMMF1/DIMMG1/DIMMG2/DIMMH1
1 Processor and 16 DIMMs (Recommended)	DIMMA1/DIMMA2/DIMMB1/DIMMB2/DIMMC1/DIMMC2/DIMMD1/DIMMD2/ DIMME1/DIMME2/DIMMF1/DIMMF2/DIMMG1/DIMMG2/DIMMH1/DIMMH2

DDR5-6400 Memory Support for Intel® Xeon® 6700-Series Processors with E-Cores									
Type	Ranks Per DIMM, Data Width (Stack)	DIMM Capacity (GB)						Speed (MT/s); Voltage (V); Slots per Channel (SPC) and DIMMs per Channel (DPC)	
		DRAM Density						1DPC/2SPC	2DPC/2SPC
		16 Gb		24 Gb		32 Gb			
		1DPC	2DPC	1DPC	2DPC	1DPC	2DPC	+1.1 V	
RDIMM	1Rx4	32 GB	-	-	-	-	-	6400, 6000, 5600, 5200, 4800 (DDR5-6400 rated RDIMMs only)	N/A
	2Rx8	32 GB	-	-	-	-	-		N/A
	2Rx4	64 GB	64 GB	96 GB	96 GB	-	-		5200, 4800 (DDR5-6400 rated RDIMMs only)
	2Rx4	-	-	-	-	128 GB	128 GB		
3DS RDIMM	4Rx4					256 GB	256 GB		

CXL Memory Configuration Support for Intel® Xeon® 6700-Series Processors with E-Cores								
Native DDR5 Memory Per Socket				CXL Memory Per Socket				
Slot 0 DIMM Ranks	Slot 0 DIMM Capacity (GB)	DIMM Type	DRAM Density (Gb)	CXL Memory Channels	CXL Memory Type	CXL Capacity Per Device/Module	CXL Interleave	CXL Mode
2Rx4	64	10x4	16	2+2	DDR5 x8	64 GB	1x4*, 2x2, 4x1	1LM+Vol
2Rx4	64	10x4	16	1+1	DDR5 x16	128 GB	1x2*, 2x1	1LM+Vol
1Rx4	32	10x4	16	2	DDR5 x8	128 GB	1x2*	Intel Flat Memory Mode

Notes:

- The items with an asterisk (*) are the default settings in the BIOS.
- The Intel® Xeon® 6700-series processors with E-cores CXL memory configurations are 1DPC ('Slot 0') only for native DDR5.
- CXL Memory Channel: number of devices per root port, with root ports separated by "+," e.g. 2+2+2+2 = four root ports populated with two devices per root port.
- CXL Interleave: sets x ways, e.g. 2x4 = One set of two modules, interleaved four-way.
- CXL Modes:
 - 1LM + Vol = DDR5 ('1LM') and (volatile) CXL memory visible to SW as separate tiers, separately interleaved.
 - Flat Memory Mode = HW manages data movement between DDR5 and CXL memory, total capacity visible to SW.

Intel® Xeon® 6700-Series Processors with E-Cores DDR5 Memory Population Table (1 Processor and 16 DIMMs Installed, 2DPC)	
<i>DIMM Counts</i>	<i>Memory Population Sequence (2DPC)</i>
1 Processor and 1 DIMM (Recommended)	DIMMA1
1 Processor and 4 DIMMs	DIMMA1/DIMMC1/DIMME1/DIMMG1 DIMMB1/DIMMD1/DIMMF1/DIMMH1
1 Processor and 8 DIMMs	DIMMA1/DIMMA2/DIMMC1/DIMMC2/DIMME1/DIMME2/DIMMG1/DIMMG2 DIMMB1/DIMMB2/DIMMD1/DIMMD2/DIMMF1/DIMMF2/DIMMH1/DIMMH2 DIMMA1/DIMMB1/DIMMC1/DIMMD1/DIMME1/DIMMF1/DIMMG1/DIMMH1 (Recommended)
1 Processor and 16 DIMMs (Recommended)	DIMMA1/DIMMA2/DIMMB1/DIMMB2/DIMMC1/DIMMC2/DIMMD1/DIMMD2/ DIMME1/DIMME2/DIMMF1/DIMMF2/DIMMG1/DIMMG2/DIMMH1/DIMMH2

General Guidelines for Optimizing Memory Performance

- Using DDR5 memories with the same type, size, speed, ranking, and density is a mandatory requirement.
- First, confirm whether the installed CPU supports P-cores or E-cores, then refer to the corresponding memory population table and install the memory correctly.
- The motherboard will support an odd number amount of memory modules. However, to achieve the best memory performance, a balanced memory population is recommended.

DIMM Installation

Important: To avoid causing any damage to the memory module or the DIMM socket, do not use excessive force when pressing the release tabs on the ends of the DIMM socket. Handle memory modules with care. To avoid ESD-related damage to your memory modules or components, carefully follow all the instructions given in "[Static-Sensitive Devices](#)" on page 49.

1. Insert the desired number of DIMMs into the memory slots based on the recommended DIMM population table earlier in this section.
2. Push the release tabs outwards on both ends of the DIMM slot to unlock it.

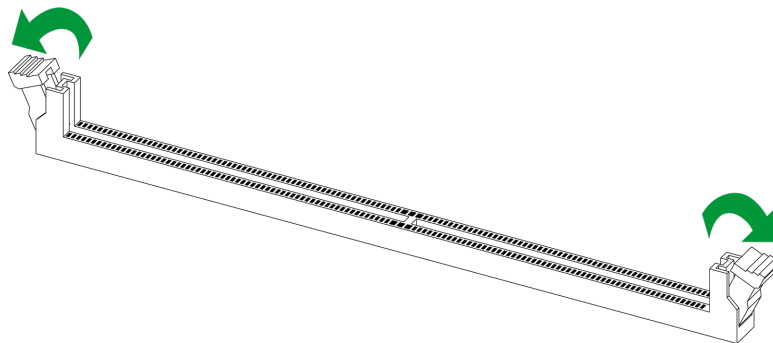


Figure 3-34. Unlocking the DIMM Slot

3. Align the key of the DIMM with the receptive point on the memory slot.

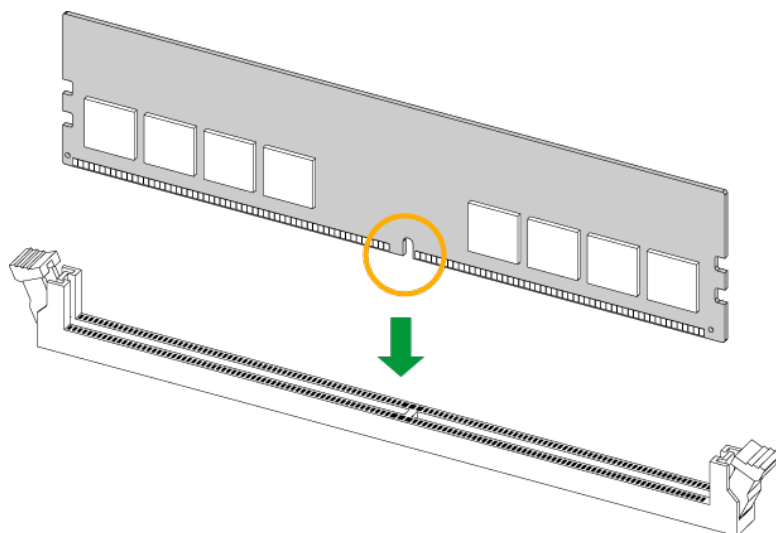


Figure 3-35. Aligning the DIMM Slot with the Receptive Point

4. Align the notches on both ends of the module against the receptive points on the ends of the slot.

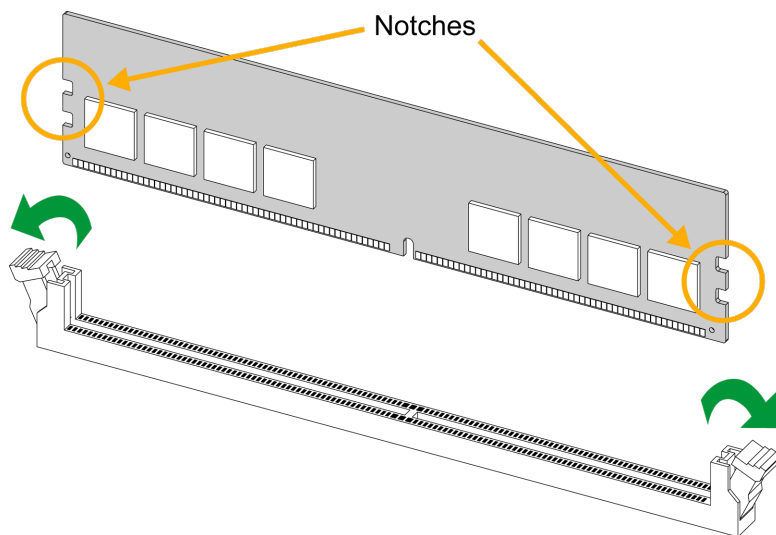


Figure 3-36. Aligning the Notches

5. Press both ends of the module straight down into the slot until the module snaps into place.
6. Press the release tabs to the lock positions to secure the DIMM into the slot.

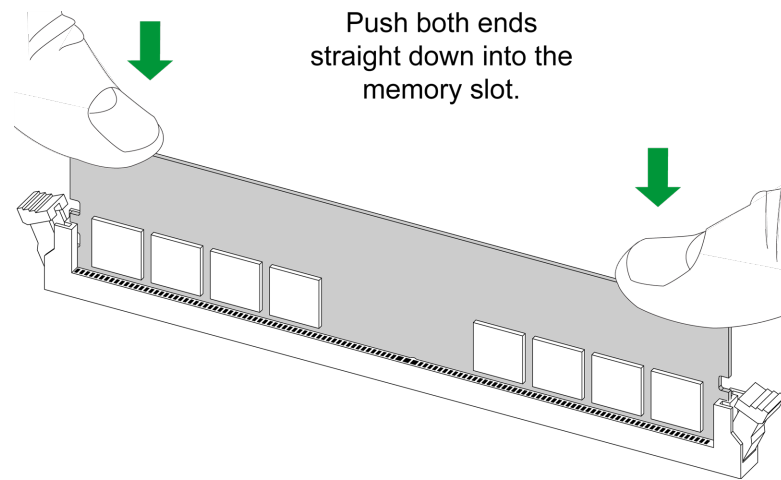


Figure 3-37. Securing the DIMM

For a detailed diagram of the X14SBSC motherboard, see the layout under "[Motherboard Quick Reference](#)" on page 29.

DIMM Removal

Important: To avoid causing any damage to the memory module or the DIMM socket, do not use excessive force when pressing the release tabs on the ends of the DIMM socket. Handle memory modules with care. To avoid ESD-related damage to your memory modules or components, carefully follow all the instructions given in "[Static-Sensitive Devices](#)" on [page 49](#).

Press both release tabs on the ends of the DIMM socket to unlock it. Once the DIMM is loosened, remove it from the memory slot.

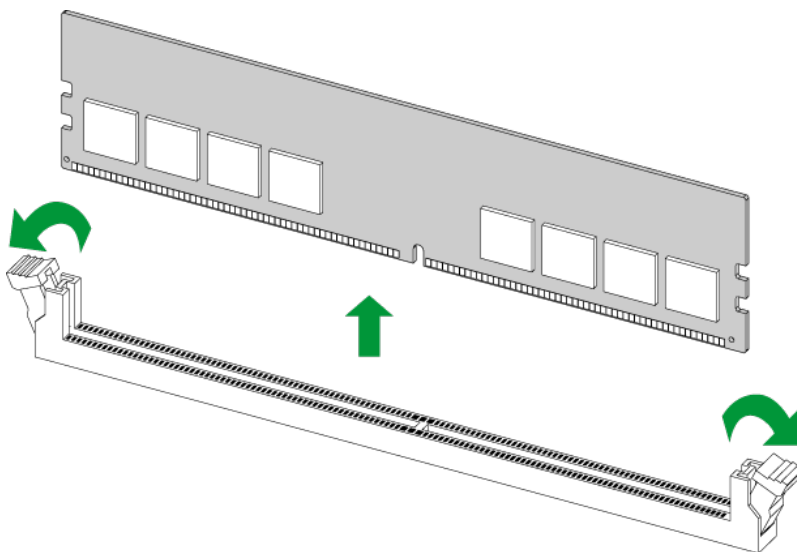


Figure 3-38. Unlocking the DIMM Slot

For a detailed diagram of the X14SBSC motherboard, see the layout under "[Motherboard Quick Reference](#)" on [page 29](#).

3.6 Motherboard Battery Removal and Installation

Battery Removal

To remove the onboard battery, follow the steps below:

1. Power off your system and unplug your power cable.
2. Locate the onboard battery as shown below.
3. Using a tool such as a pen or a small screwdriver, push the battery lock outwards to unlock it. Once unlocked, the battery will pop out from the holder.
4. Remove the battery.

Proper Battery Disposal

Important: Handle used batteries carefully. Do not damage the battery in any way; a damaged battery may release hazardous materials into the environment. Do not discard a used battery in the garbage or a public landfill. Comply with the regulations set up by your local hazardous waste management agency to dispose of your used battery properly.

Battery Installation

To install an onboard battery, follow steps 1 and 2 above and continue below:

Important: When replacing a battery, be sure to only replace it with the same type.

1. Identify the battery's polarity. The positive (+) side should be facing up.
2. Insert the battery into the battery holder and push it down until you hear a click to ensure that the battery is securely locked.

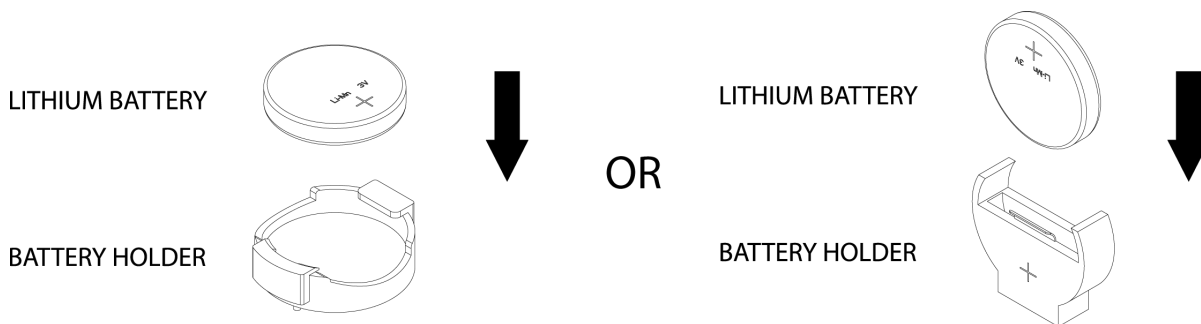


Figure 3-39. Installing a Battery

3.7 Storage Drives

The CSE-947HTS-R2K63P supports 90 3.5" hard drives and the CSE-947STS-R2K05P supports 60 3.5" hard drives. The drives can be removed without powering down the system. In addition, both nodes support two 7-mm 2.5" SATA drives and two NVMe M.2 drives per node. For logical drive locations, see ["Installing Drives" on the next page](#).

Note: Enterprise-level storage modules are recommended for use in Supermicro servers.

Drive Carrier Indicators

Each drive carrier has two LED indicators: an activity indicator and a status indicator. The status indicator functions in RAID configurations. For non-RAID configurations, it remains off. See the table below for details.

Drive Carrier LED Indicators			
	Color	Blinking Pattern	Behavior for Device
Activity LED	Blue	Solid On	Indicates a SAS drive
	Blue	Off	Indicates a SATA drive
	Blue	Blinking	Drive is actively being accessed
Status LED	Red	Solid on	Drive failed
	Red	Blinking at 1 Hz	RAID is rebuilding
	Red	Blinking at 3 Hz	Indicates a hot spare
	Red	Blinking at 4 Hz	Locates a drive
	Red	Off	Idle

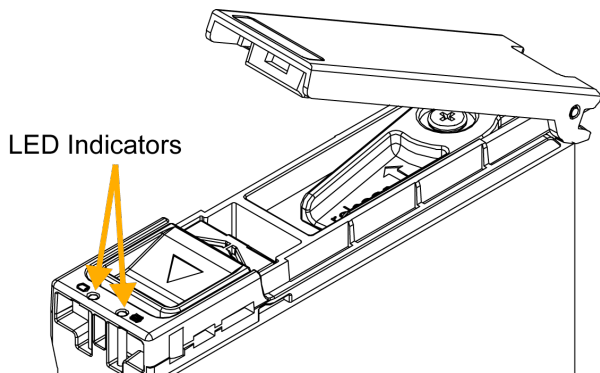


Figure 3-40. Storage Drive Carrier Indicators

Installing Drives

HDDs are numbered from left to right when viewed from the front of the system.

Note: Enterprise-level storage modules are recommended for use in Supermicro servers.

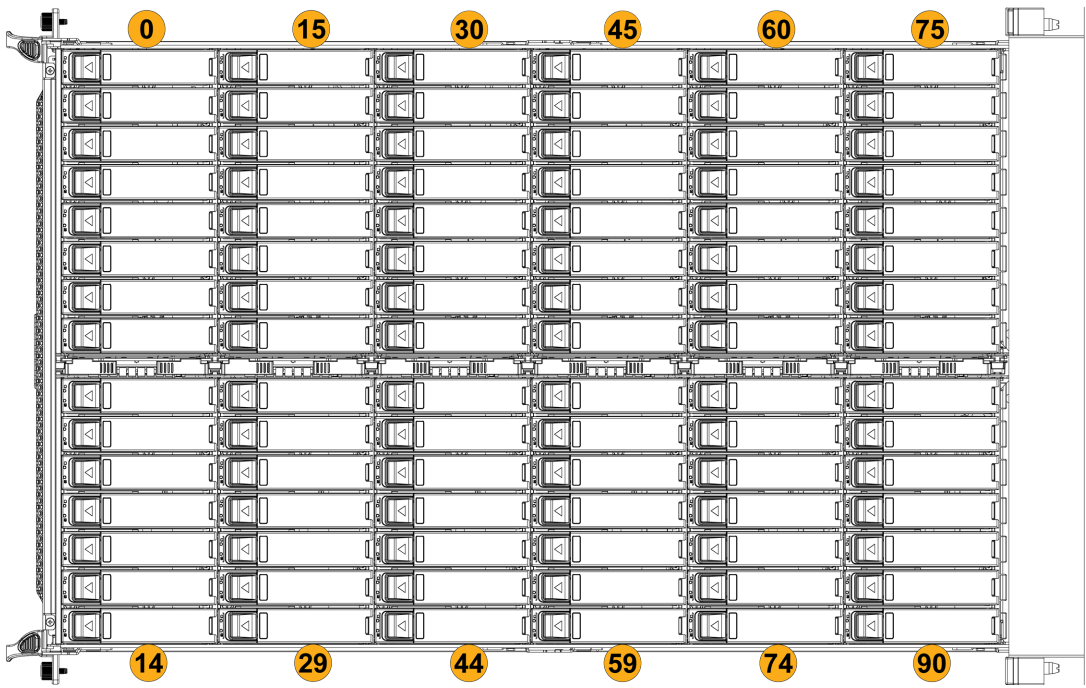


Figure 3-41. CSE-947HTS-R2K63P Storage Drive Locations

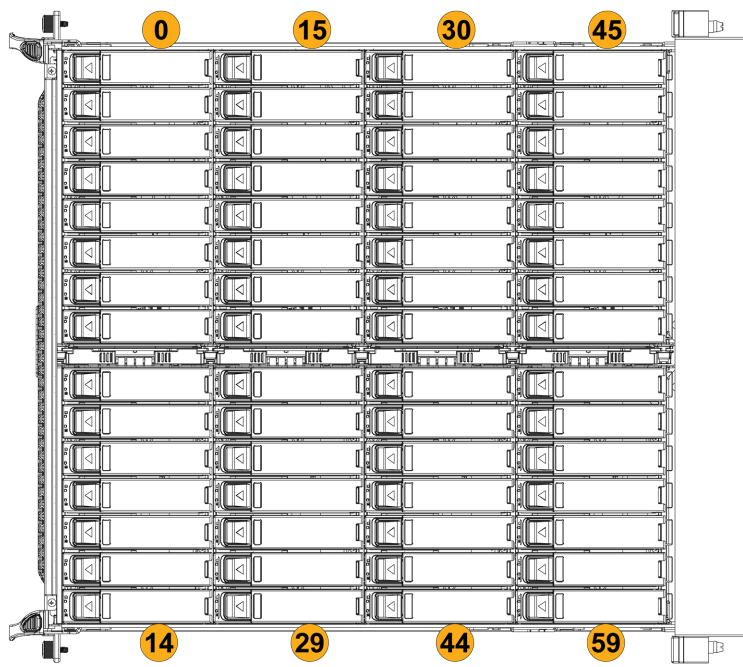


Figure 3-42. CSE-947STS-R2K05P Storage Drive Locations

Installing Drives into the Chassis on a Rack

Drives can be removed from and loaded into the SSG-542B-DE1CR90/E1CR90/E1CR60 without fully removing the server from the rack.

Important: Except for short periods of time (swapping drives), do not operate the server with the drive carriers removed from the bays, regardless of how many drives are installed, for proper airflow.

1. Press the release buttons on both of the front handles downward simultaneously and pull the drive drawer handles forward from the rack.

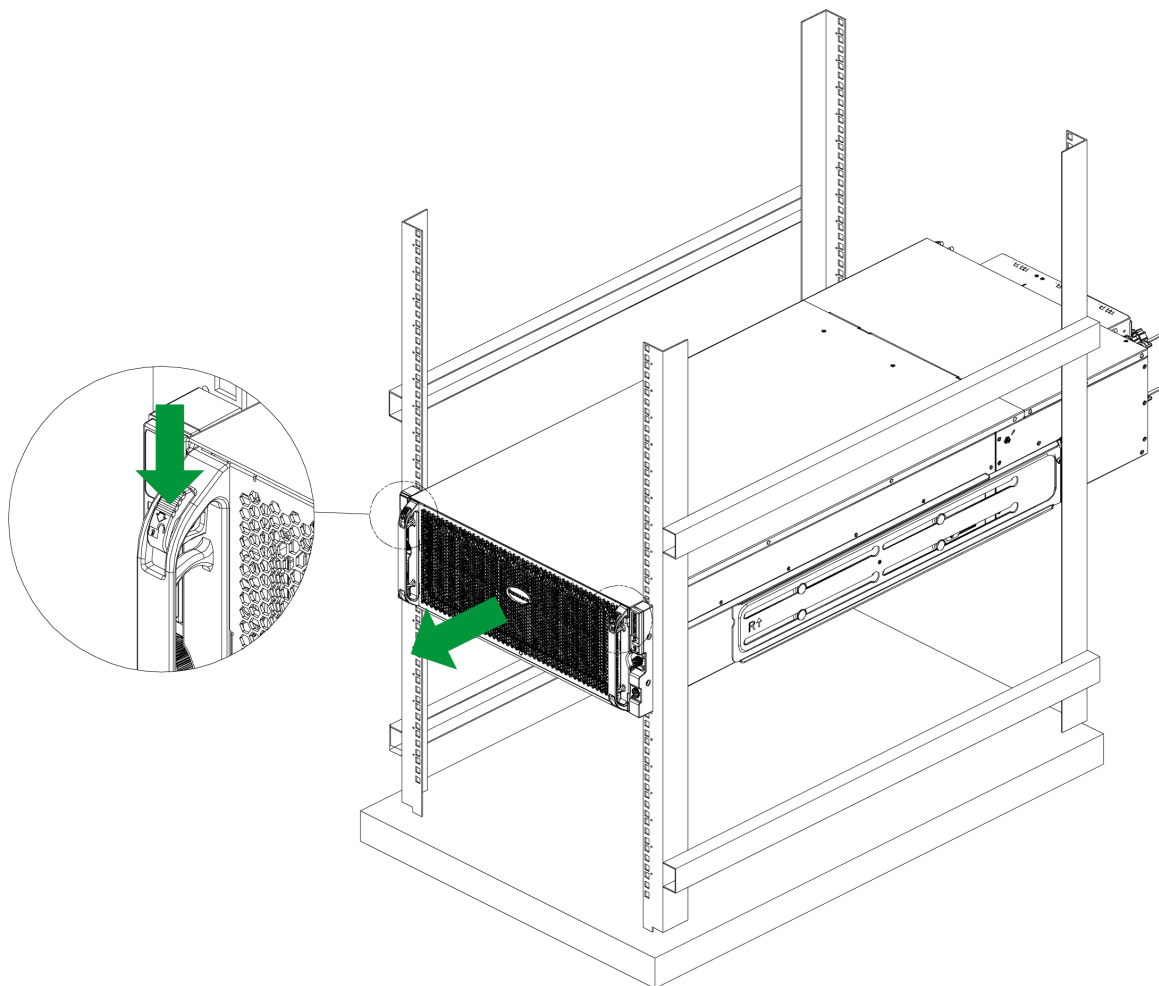


Figure 3-43. Opening the Chassis on a Rack (CSE-947HTS-R2K63P pictured)

2. Pull open the chassis so that a locking lever on each side of the chassis aligns with the front of the chassis cover and front of the rack, then press the lever down on each side to lock the open part of the chassis in place.

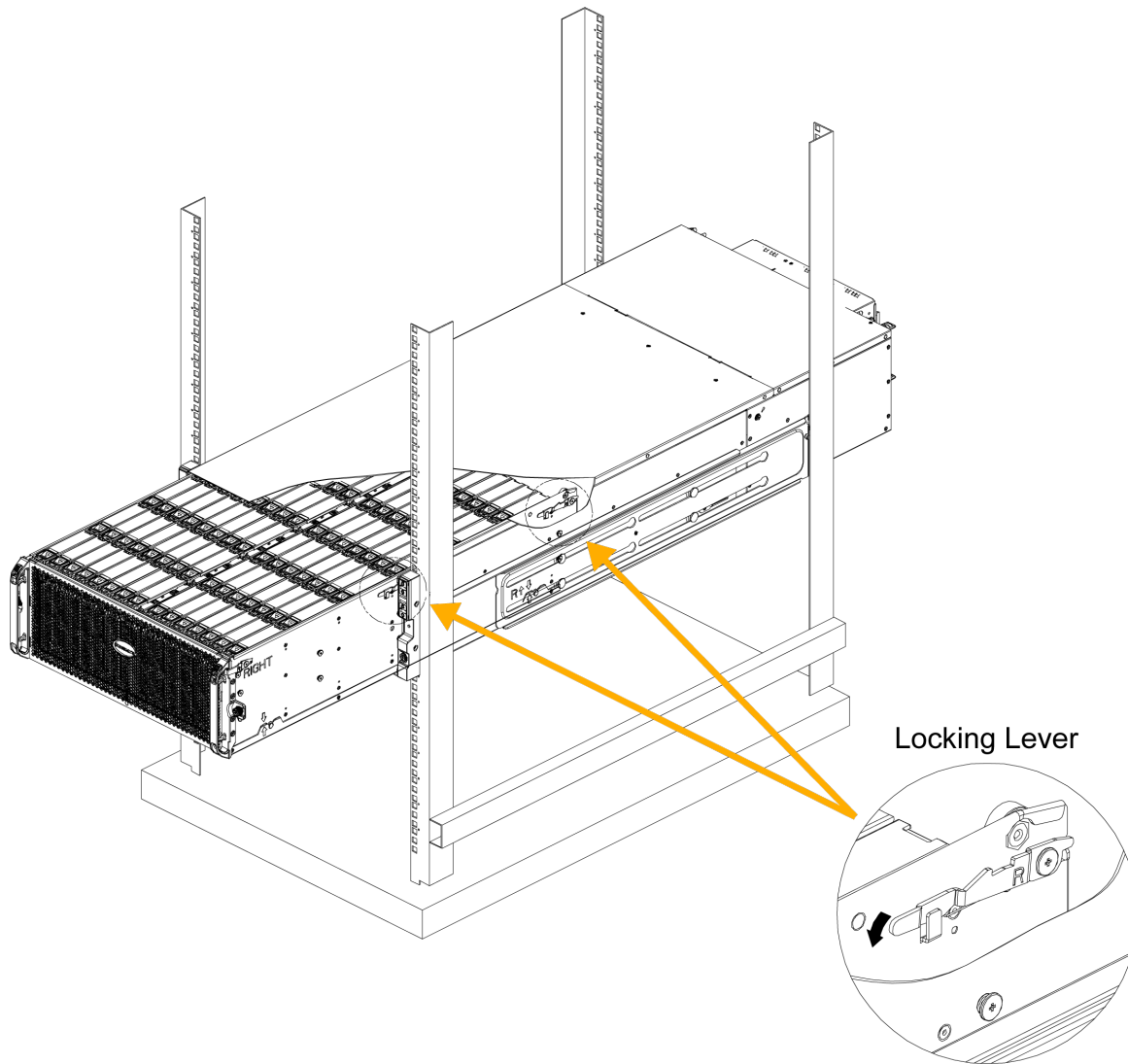


Figure 3-44. Locking the Open Chassis in Place

3. HDDs and their carriers can be loaded into the chassis, or removed from the chassis by pressing the release button to eject their handles and then pulling the drives out by the handles.

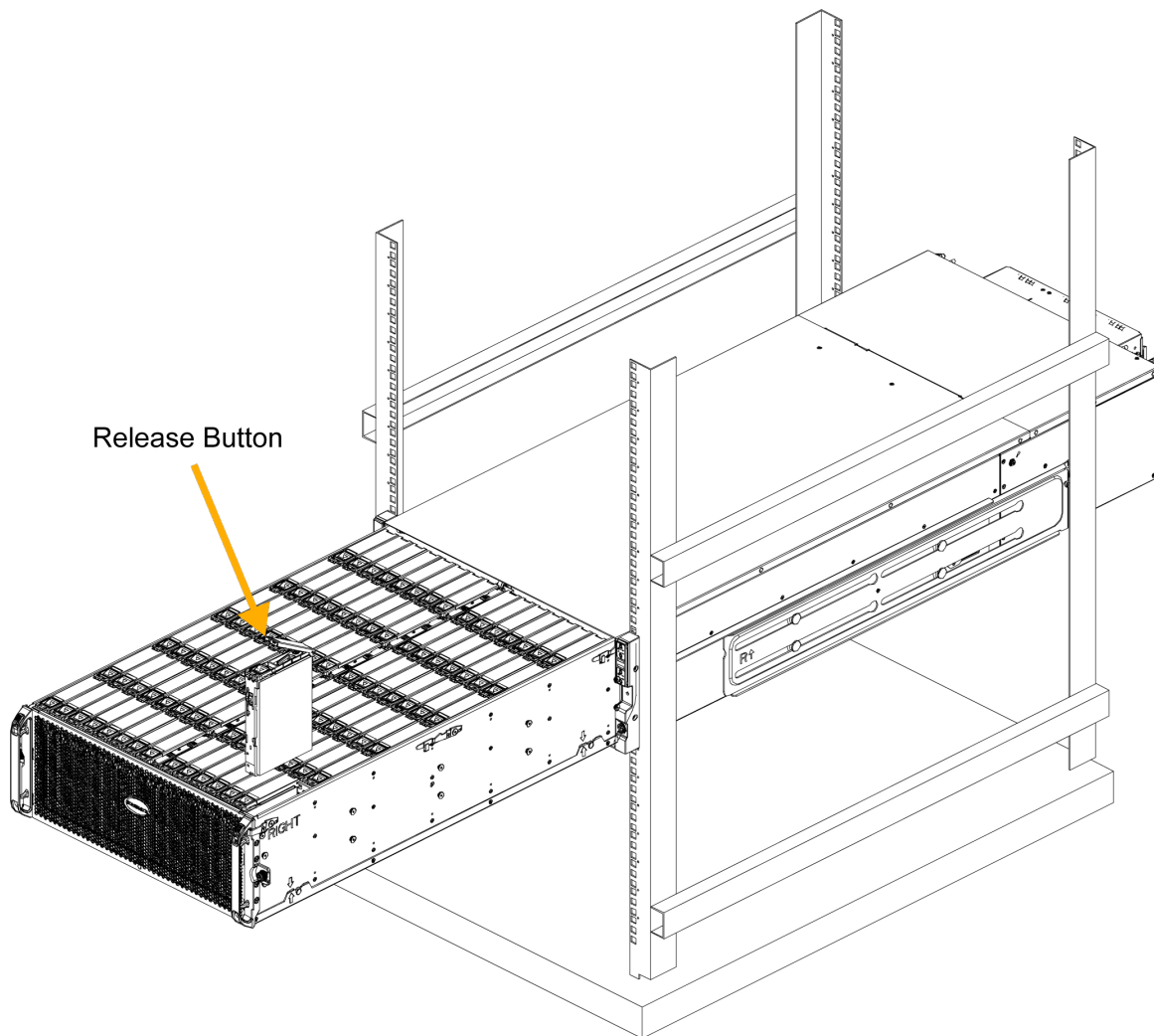


Figure 3-45. Loading Drives into the Chassis

Installing Hot-Swap 2.5" or 3.5" Hard Drives Into Carriers

The chassis uses tool-less drive carriers to simplify the installation of 3.5" hard drives into the drive trays. These carriers also help promote proper airflow through the drive bays. Dummy trays feature a built-in adapter to support 2.5" drives.

With the drive carrier removed from the storage compartment, perform the following actions.

1. Under the main the carrier handle, find and the lift the breakout lever and pull out the side of the carrier.

2. Remove the dummy drive from the carrier. Any unused drive bays should have the carriers remain in place in their bays.
3. Insert the hard drive into the drive carrier. Orient the drive by matching the two alignment pins on the side and by noting the notch in the carrier for the HDD connectors. Close the side of the carrier until it snaps in place.
4. Slide the carrier assembly into its spot in the chassis until it clicks into locked position.

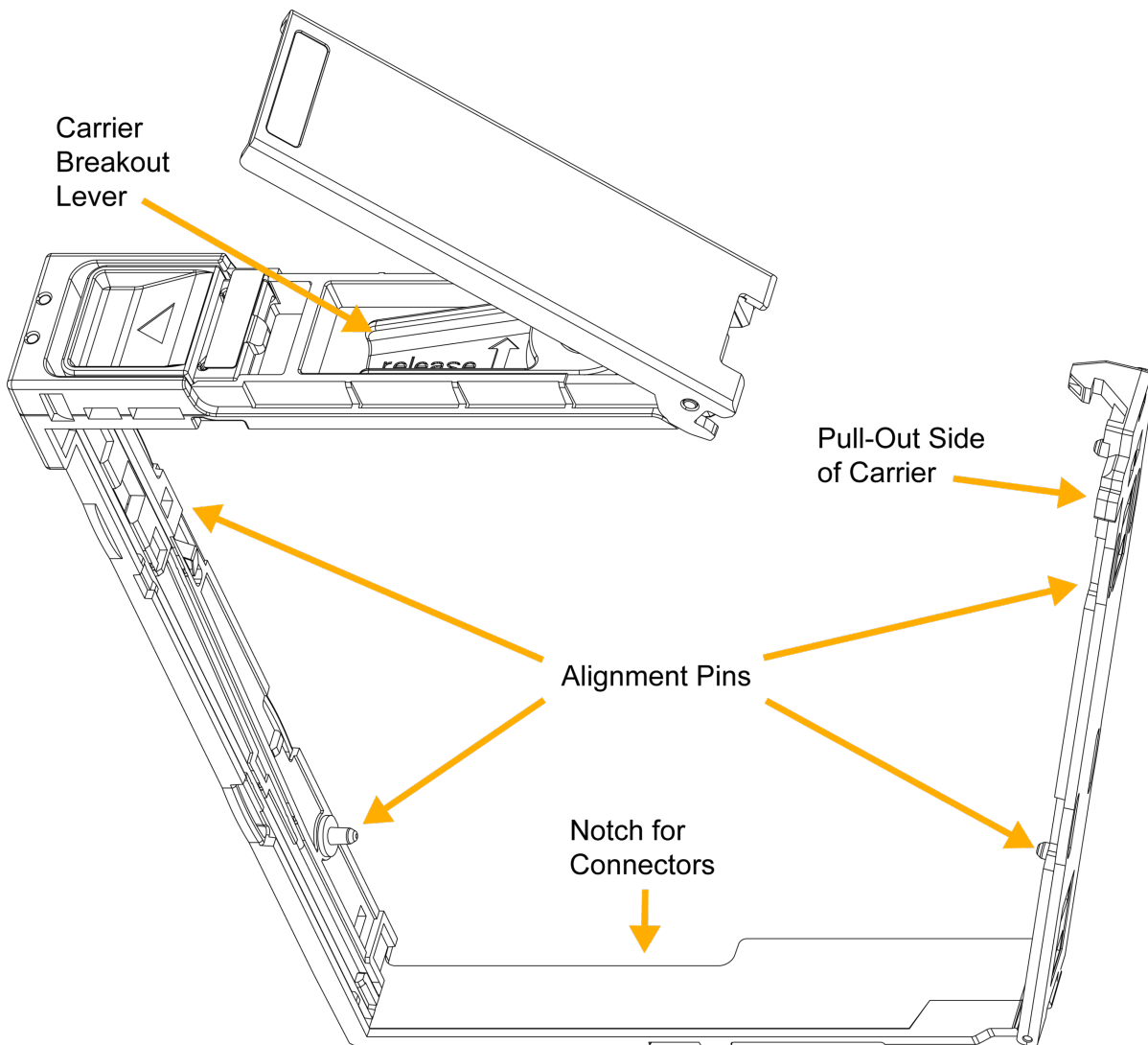


Figure 3-46. Opening the Drive Carrier

Expander Modules

The CSE-947HTS-R2K63P contains six BPN-SAS3-947EL expander modules, which are labeled A, B, C, D, E, and F. The CSE-947STS-R2K05P contains four BPN-SAS3-947EL expander modules, which are labeled A, B, C, and D. Note that CSE-947STS-R2K05P has no expanders E or F.

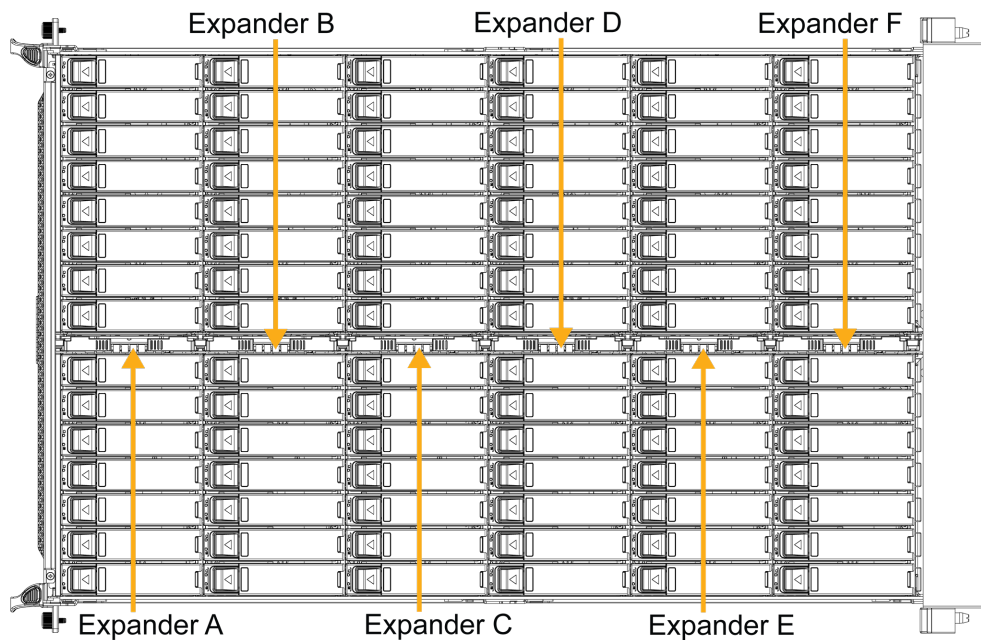


Figure 3-47. CSE-947HTS-R2K63P Expander Module Locations

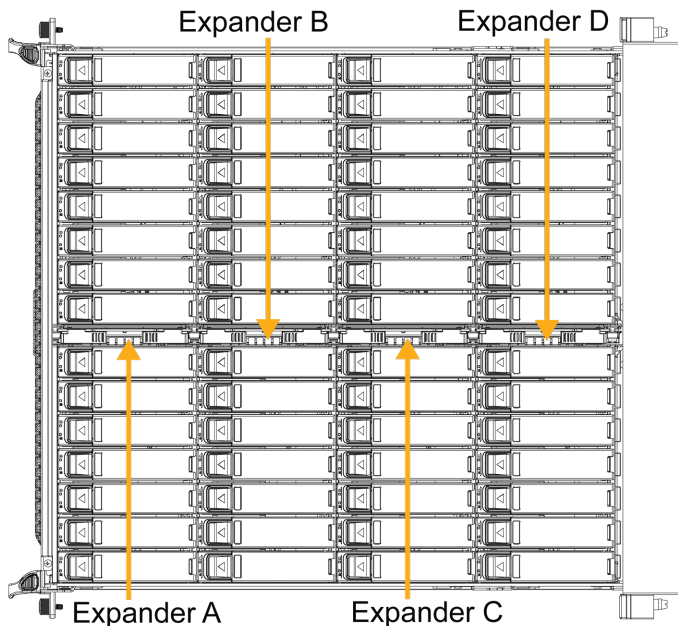


Figure 3-48. CSE-947STS-R2K05P Expander Module Locations

Removing an Expander Module from the Chassis

1. Each expander module has two latches on its top side, which lock the expander into place and must be opened to remove the expander from the chassis. Pull both latches up into the open position.

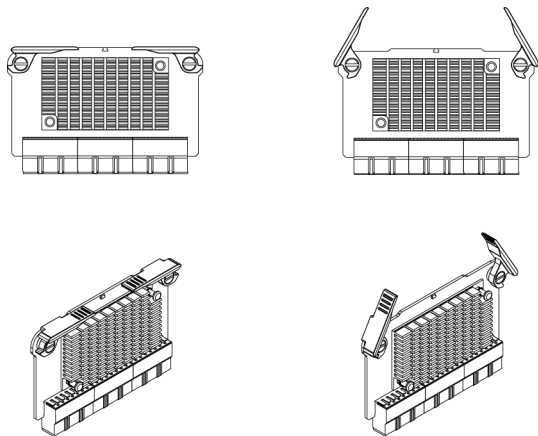


Figure 3-49. Expander Module Latches

2. Lift the unlocked expander module out of the chassis.

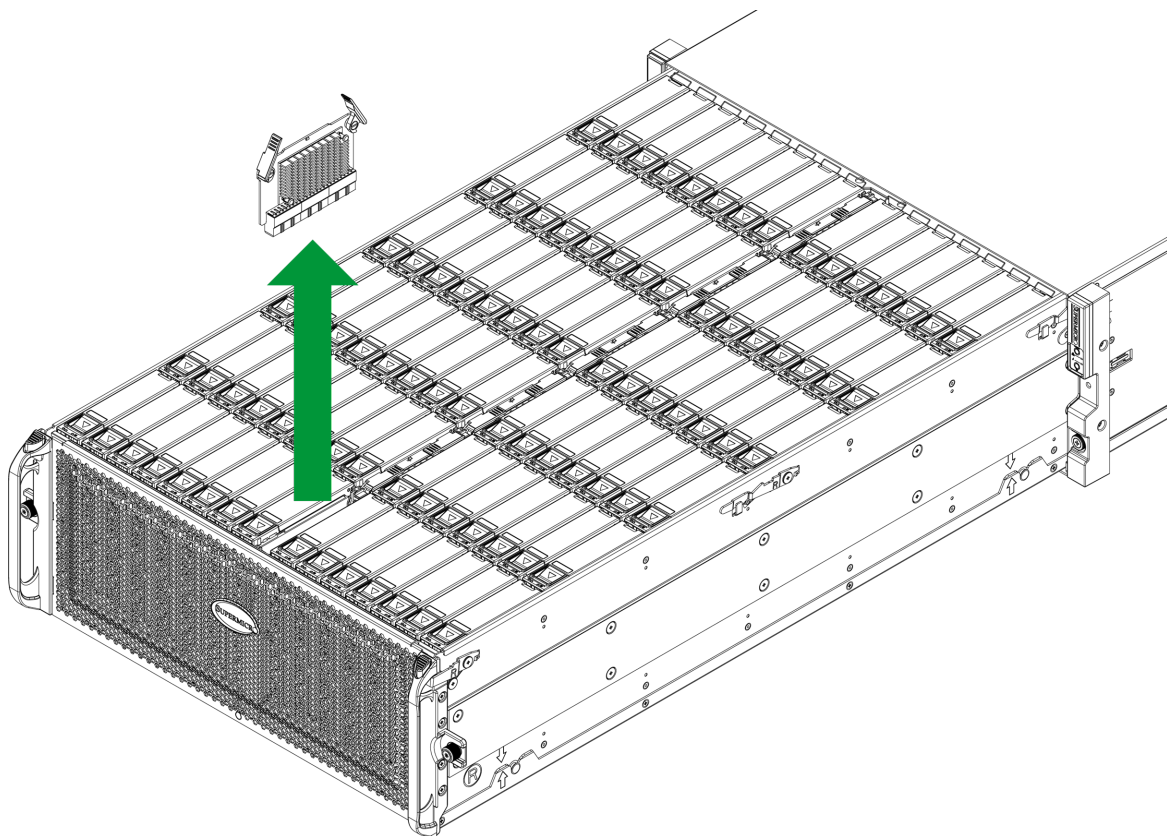


Figure 3-50. Removing an Expander Module (CSE-947HTS-R2K63P pictured)

Hot-Swap for NVMe Drives

Supermicro servers support NVMe surprise hot-swap. For even better data security, NVMe orderly hot-swap is recommended. NVMe drives can be ejected and replaced remotely using BMC.

Note: If you are using VROC, see "[Intel Virtual RAID on CPU \(VROC\)](#)" on page 120 in this manual instead.

Ejecting a Drive

1. **BMC > Server Health > NVMe SSD**
2. Select Device, Group, and Slot, and click **Eject**. After ejecting, the drive Status LED indicator turns green.
3. Remove the drive.

Note that Device and Group are categorized by the CPLD design architecture.

A Slot is the slot number on which the NVMe drives are mounted.

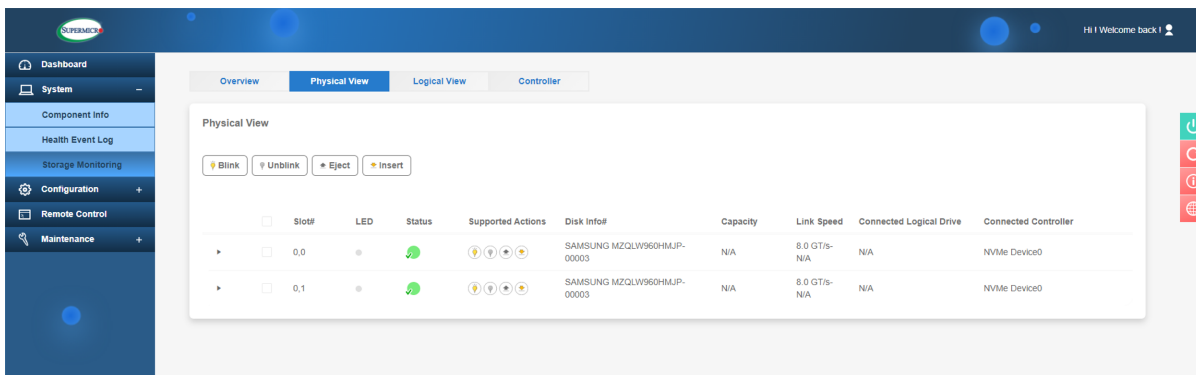


Figure 3-51. BMC Screenshot

Replacing a Drive

1. Insert the replacement drive.
2. **BMC > System > Storage Monitor > Physical View**
3. Select Device, Group, and slot and click **Insert**. The drive Status LED indicator flashes red, then turns off. The Activity LED turns blue.

3.8 System Cooling

Refer to the following sections for information about the cooling capabilities of the SSG-542B-DE1CR90/E1CR90/E1CR60 server.

Fans

Six hot-swap, heavy-duty rear mounted fans provide cooling. They can be replaced without powering down the system.

Fan speed is controlled by a system temperature setting in IPMI. If a fan fails, the remaining fans will ramp up to full speed. Replace any failed fan at your earliest convenience with the same type and model. The system can continue to run with a failed fan and all six fans will operate as long as one node is powered on.

Changing a System Fan

Important: Fans continue to rotate for a brief time after removal from the chassis. To avoid injury, keep fingers clear of the rotating fan blades.

1. While the power is running, examine the fans to determine which fan has failed.
2. On the failed fan, simultaneously squeeze the fan's side release tabs inward.

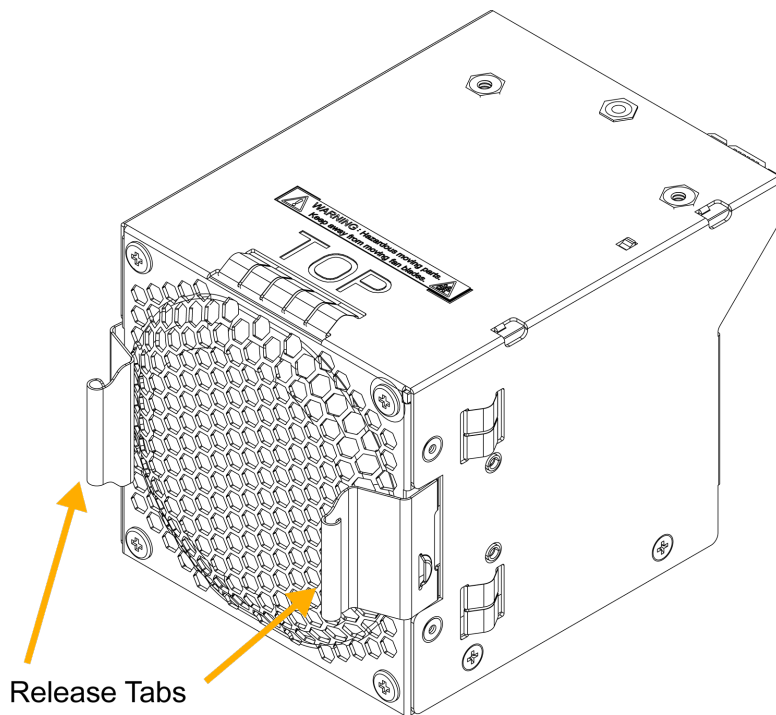


Figure 3-52. Fan Release Tabs

3. Pull the fan out of the motherboard sled using the tabs.

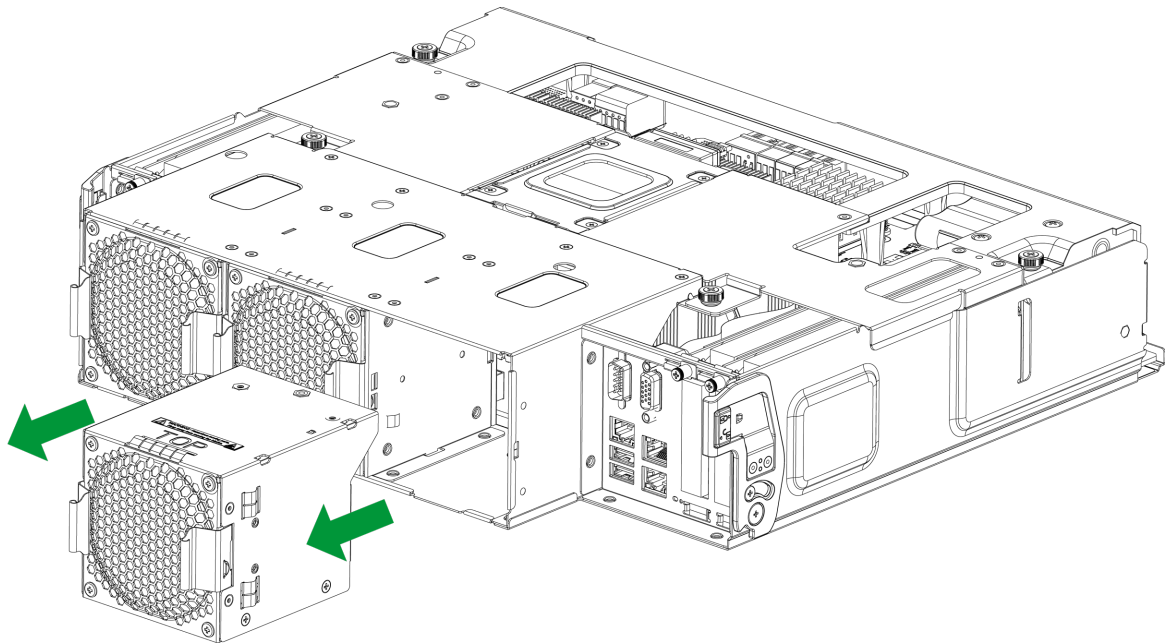


Figure 3-53. Removing a Fan from a Node

4. Place the new fan into the vacant fan bay and confirm that the fan is fully seated in the fan bay.
5. Make sure the new fan is functioning properly.

3.9 Power Supply

The system features redundant power supplies and will continue to operate if one module fails, when it should be replaced as soon as convenient. The modules are hot-swappable, meaning they can be changed without powering down the system. New units can be ordered directly from Supermicro or authorized distributors. The power supplies are auto-switching capable. This feature enables them to automatically sense the input voltage and operate at a 200–240 V range.

Power Supply LEDs

On the rear of the power supply module, an LED displays the status.

- **Solid Green:** When illuminated, indicates that the power supply is on.
- **Solid Amber:** When illuminated, indicates the power supply is plugged in and turned off, or the system is off but in an abnormal state.
- **Blinking Amber:** When blinking, this system power supply temperature has reached 63°C. The system will automatically power-down when the power supply temperature reaches 70°C and restart when the power supply temperature goes below 60°C.

Replacing the Power Supply

1. Unplug the AC cord from the module to be replaced.
2. On the back of the module, push the release tab sideways as illustrated below.
3. Pull the module out using the handle.
4. Push the new module into the power bay until it clicks. Replace with the same model.
5. Plug the AC power cord back into the module.

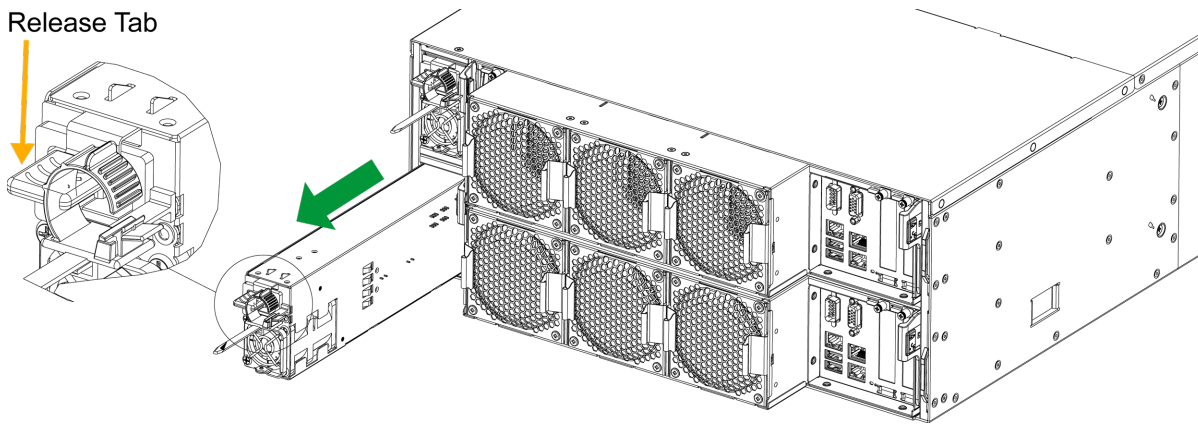


Figure 3-54. Replacing the Power Supply (CSE-947HTS-R2K63P pictured)

Chapter 4:

Motherboard Connections, Jumpers, and LEDs

This section describes the connections on the motherboard and provides pinout definitions. Note that depending on how the system is configured, not all connections are required. The LEDs on the motherboard are also described here. A motherboard layout indicating component locations may be found in the ["Introduction" on page 16](#). More detail can be found in the X14SBSC motherboard manual.

Review the ["Standardized Warning Statements for AC Systems" on page 247](#) before installing or removing components.

4.1 Power Supply and Power Connections	91
Power Connectors	91
4.2 Headers and Connections	93
Fan Board Control Header	93
Inlet Sensor Header	93
M.2 M-Key PCIe 4.0 x2 Slots	94
MCIO PCIe 5.0 x8 Connectors	94
NC-SI Connection	94
Node Control Connector to System	94
Node Fan Board Control Connector	95
Node PCIe 5.0 Connectors to System	96
Node SAS 3.0 Connectors to System	98
NVMe I ² C Header	99
8-Pin Onboard Standby Fan Header	99
SAS 3.0 Connections (SlimSAS)	100
TPM/Port 80 Header	100
VROC RAID Key Header	100
4.3 I/O Ports	102
LAN Ports	102
Unit Identifier Button	103
USB Ports	103
4.4 Jumper Settings	105

CMOS Clear	105
TPM Select	106
4.5 LED Indicators	107
BMC Heartbeat LED	107
Expander SAS35X48 Heartbeat LED	107
Front Panel Power LED	107
M.2 LEDs	108
SAS 3808N Heartbeat LED	108
Unit ID (UID) LED	108

4.1 Power Supply and Power Connections

For information about the power supply and power connections of the SSG-542B-DE1CR90/E1CR90/E1CR60 server, refer to the following content.

Power Connectors

There is one power connector, BCN2, that connects to the backplane.

For a detailed diagram of the X14SBSC motherboard, see the layout under ["Motherboard Quick Reference"](#) on page 29.

Node Fan Board Power Connector

A node fan board power connector is located at JFANPW on the X14SBSC motherboard to provide power to the fan.

Node Fan Board Power Connector			
Pin Definitions: 8 Total			
Pin#	Definition	Pin#	Definition
1	GND	5	+12 V_FAN
2	GND	6	+12 V_FAN
3	GND	7	+12 V_FAN
4	GND	8	+12 V_FAN

Onboard NVMe Power Connector

An onboard NVMe power connector is located at JPWR_NVME1 on the X14SBSC motherboard.

Onboard NVMe Power Connector	
Pin Definitions: 4 Total	
Pin#	Definition
1	GND
2	GND
3	+12 V
4	+3.3_V1

Node Power Connector from System

There is one backplane connector located at BCN2 (connects to BPN-SAS3-947SB-1) on the X14SBSC motherboard.

Node Power Connector from System					
Pin Definitions: 8 Total					
BCN2	Column				
Row		4	3	2	1
	B	+12 V	+12 V	+12 V	+12 V_STBY
	A	GND	GND	GND	GND

4.2 Headers and Connections

For information about the headers on the X14SBSC motherboard, refer to the following content.

Fan Board Control Header

A fan board control header is located at JFAN on the X14SBSC motherboard to control the fan speed.

For a detailed diagram of the X14SBSC motherboard, see the layout under "[Motherboard Quick Reference](#)" on page 29.

FAN Board Control Header	
Pin Definitions: 4 Total	
Pin#	Definition
1	I2C_SDA
2	GND
3	I2C_SCL
4	No Connection

Inlet Sensor Header

An inlet sensor header is located on the X14SBSC motherboard. The inlet temperature sensor represents the ambient air temperature entering the system. The equivalent temperature sensor retrievable by the onboard BMC is RT0.

For a detailed diagram of the X14SBSC motherboard, see the layout under "[Motherboard Quick Reference](#)" on page 29.

Inlet Sensor Header	
Pin Definitions: Four Total	
Pin#	Definition
1	Data
2	GND
3	Clock
4	+3.3 V Standby

M.2 M-Key PCIe 4.0 x2 Slots

Two M.2 M-key slots are located at JM2_1 and JM2_2 on the X14SBSC motherboard. The M.2 M-key slots on the motherboard support PCIe 4.0 x2 devices in a 22110 form factor.

For a detailed diagram of the X14SBSC motherboard, see the layout under "[Motherboard Quick Reference](#)" on page 29.

MCIO PCIe 5.0 x8 Connectors

Mini Cool Edge IO (MCIO) PCIe 5.0 x8 connectors are located at JNVME1 on the X14SBSC motherboard.

For a detailed diagram of the X14SBSC motherboard, see the layout under "[Motherboard Quick Reference](#)" on page 29.

NC-SI Connection

The Network Controller Sideband Interface (NC-SI) connection is located at JNCSI1 on the X14SBSC motherboard. This connection is used to connect a Network Interface Card (NIC) to the motherboard to allow the onboard Baseboard Management Controller (BMC) to communicate with a network.

Note: For detailed instructions on how to configure Network Interface Card (NIC) settings, refer to the Network Interface Card Configuration User's Guide posted on the web page under the link: <https://www.supermicro.com/support/manuals>.

For a detailed diagram of the X14SBSC motherboard, see the layout under "[Motherboard Quick Reference](#)" on page 29.

Node Control Connector to System

A node control connector is located at BCN1 on the X14SBSC motherboard to control the node and communicate with other system boards such as IO board and middle plane.

For a detailed diagram of the X14SBSC motherboard, see the layout under "[Motherboard Quick Reference](#)" on page 29.

Node Control Connector to System							
Pin Definitions: 54 Total							
BCN1	Column						
Row		1	2	3	4	5	6
	J	SLINK_MP	GND	SLINK_ Node	GND	EXP_I2C1_ SCL	GND
	H	RSVD	I2C1_ SDA	PSU_Alert#	I2C3_ SDA	EXP_I2C1_ SDA	NODE_PRSNT#
	G	GND	I2C1_ SCL	GND	I2C3_ SCL	GND	OTH NODE_ PRSNT#
	F	BMC_PHY_RX_ N	GND	Slot ID	GND	MDI_N1	GND
	E	BMC_PHY_RX_ P	I2C2_ SDA	MATED#	+12 V_ DIS	MDI_P1	MDI_N3
	D	GND	I2C2_ SCL	GND	HS_EN#	GND	MDI_P3
	C	BMC_PHY_TX_ N	GND	PMB_SDA	GND	MDI_N0	GND
	B	BMC_PHY_TX_ P	BMC_ SCL	PMB_SCL	VPP_ SCL	MDI_P0	MDI_N2
	A	GND	BMC_ SDA	GND	VPP_ SDA	GND	MDI_P2

Node Fan Board Control Connector

A node fan board control connector is located at JFAN1 on the X14SBSC motherboard. This connector provides power to the fan board.

Fan Board Control Header	
Pin Definitions: 4 Total	
Pin#	Definition
1	I2C_SDA
2	GND
3	I2C_SCL
4	No Connection

Node PCIe 5.0 Connectors to System

High speed PCIe 5.0 connectors are located at BCN6 and BCN7 on the X14SBSC motherboard, which transmit the PCIe 5.0 signal to the IO board.

Node PCIe 5.0 Connector to System (BCN6)							
Pin Definitions: 84 Total							
BCN6	Column						
		6	5	4	3	2	1
	N		GND		GND		GND
	M	GND	PE4_TX_N0 (12)	GND	PE3_TX_N0 (8)	GND	PE2_TX_N0 (4)
	L	PE4_TX_N2 (14)	PE4_TX_P0 (12)	PE3_TX_N2 (10)	PE3_TX_P0 (8)	PE2_TX_N2 (6)	PE2_TX_P0 (4)
	K	PE4_TX_P2 (14)	GND	PE3_TX_P2 (10)	GND	PE2_TX_P2 (6)	GND
	J	GND	PE4_TX_N1 (13)	GND	PE3_TX_N1 (9)	GND	PE2_TX_N1 (5)
	I	PE4_TX_N3 (15)	PE4_TX_P1 (13)	PE3_TX_N3 (11)	PE3_TX_P1 (9)	PE2_TX_N3 (7)	PE2_TX_P1 (5)
	H	PE4_TX_P3 (15)	GND	PE3_TX_P3 (11)	GND	PE2_TX_P3 (7)	GND
Row	G	GND	PE4_RX_N0 (12)	GND	PE3_RX_N0 (8)	GND	PE2_RX_N0 (4)
	F	PE4_RX_N2 (14)	PE4_RX_P0 (12)	PE3_RX_N2 (10)	PE3_RX_P0 (8)	PE2_RX_N2 (6)	PE2_RX_P0 (4)
	E	PE4_RX_P2 (14)	GND	PE3_RX_P2 (10)	GND	PE2_RX_P2 (6)	GND
	D	GND	PE4_RX_N1 (13)	GND	PE3_RX_N1 (9)	GND	PE2_RX_N1 (5)
	C	PE4_RX_N3 (15)	PE4_RX_P1 (13)	PE3_RX_N3 (11)	PE3_RX_P1 (9)	PE2_RX_N3 (7)	PE2_RX_P1 (5)
	B	PE4_RX_P3 (15)	GND	PE3_RX_P3 (11)	GND	PE2_RX_P3 (7)	GND
	A	GND		GND		GND	

Node PCIe 5.0 Connector to System (BCN7)								
Pin Definitions: 84 Total								
BCN7	Column							
Row		6	5	4	3	2	1	
	N		GND		GND	PE_RESET	GND	
	M	GND	PE1_TX_N0 (0)	GND	PE2_REFCLK_N	GND	PE5_TX_N1 (5)	
	L	PE1_TX_N2 (2)	PE1_TX_P0 (0)	PE4_REFCLK_N	PE2_REFCLK_P	PE6_TX_N1 (7)	PE5_TX_P1 (5)	
	K	PE1_TX_P2 (2)	GND	PE4_REFCLK_P	GND	PE6_TX_P1 (7)	GND	
	J	GND	PE1_TX_N1 (1)	GND	PE1_REFCLK_N	GND	PE5_TX_N0 (4)	
	I	PE1_TX_N3 (3)	PE1_TX_P1 (1)	PE3_REFCLK_N	PE1_REFCLK_P	PE6_TX_N0 (6)	PE5_TX_P0 (4)	
	H	PE1_TX_P3 (3)	GND	PE3_REFCLK_P	GND	PE6_TX_P0 (6)	GND	
	G	GND	PE1_RX_N0 (0)	GND	PE6_REFCLK_N	GND	PE5_RX_N1 (5)	
	F	PE1_RX_N2 (2)	PE1_RX_P0 (0)	RSVD	PE6_REFCLK_P	PE6_RX_N1 (7)	PE5_RX_P1 (5)	
	E	PE1_RX_P2 (2)	GND	RSVD	GND	PE6_RX_P1 (7)	GND	
	D	GND	PE1_RX_N1 (1)	GND	PE5_REFCLK_N	GND	PE5_RX_N0 (4)	
	C	PE1_RX_N3 (3)	PE1_RX_P1 (1)	RSVD	PE5_REFCLK_P	PE6_RX_N0 (6)	PE5_RX_P0 (4)	
	B	PE1_RX_P3 (3)	GND	RSVD	GND	PE6_RX_P0 (6)	GND	
	A	GND	MBD_CPLD_RSVD	GND	3808N_PERST_N_B	GND	3808N_PERST_N_A	

Node SAS 3.0 Connectors to System

High speed PCIe 5.0 connectors are located at BCN3, BCN4, and BCN5 on the X14SBSC motherboard, which transmit the SAS 3.0 signal to the expander board.

Node SAS 3.0 Connector to System (BCN3)								
Pin Definitions: 54 Total								
BCN3	Column							
Row		1	2	3	4	5	6	
	J	SAS_TX_N0	GND	SAS_TX_N2	GND	SAS_TX_N6	GND	
	H	SAS_TX_P0	SAS_TX_N1	SAS_TX_P2	SAS_TX_N4	SAS_TX_P6	SAS_TX_N7	
	G	GND	SAS_TX_P1	GND	SAS_TX_P4	GND	SAS_TX_P7	
	F	SAS_RX_N1	GND	RSVD	GND	SAS_TX_N5	GND	
	E	SAS_RX_P1	SAS_RX_N3	RSVD	SAS_TX_N3	SAS_TX_P5	RSVD	
	D	GND	SAS_RX_P3	GND	SAS_TX_P3	GND	RSVD	
	C	SAS_RX_N0	GND	SAS_RX_N4	GND	SAS_RX_N6	GND	
	B	SAS_RX_P0	SAS_RX_N2	SAS_RX_P4	SAS_RX_N5	SAS_RX_P6	SAS_RX_N7	
	A	GND	SAS_RX_P2	GND	SAS_RX_P5	GND	SAS_RX_P7	

Node SAS 3.0 Connector to System (BCN4)								
Pin Definitions: 54 Total								
BCN4	Column							
Row		1	2	3	4	5	6	
	J	SAS_TX_N8	GND	SAS_TX_N10	GND	SAS_TX_N14	GND	
	H	SAS_TX_P8	SAS_TX_N9	SAS_TX_P10	SAS_TX_N12	SAS_TX_P14	SAS_TX_N15	
	G	GND	SAS_TX_P9	GND	SAS_TX_P12	GND	SAS_TX_P15	
	F	SAS_RX_N9	GND	RSVD	GND	SAS_TX_N13	GND	
	E	SAS_RX_P9	SAS_RX_N11	RSVD	SAS_TX_N11	SAS_TX_P13	RSVD	
	D	GND	SAS_RX_P11	GND	SAS_TX_P11	GND	RSVD	
	C	SAS_RX_N8	GND	SAS_RX_N12	GND	SAS_RX_N14	GND	
	B	SAS_RX_P8	SAS_RX_N10	SAS_RX_P12	SAS_RX_N13	SAS_RX_P14	SAS_RX_N15	
	A	GND	SAS_RX_P10	GND	SAS_RX_P13	GND	SAS_RX_P15	

Node SAS 3.0 Connector to System (BCN5)								
Pin Definitions: 54 Total								
BCN5	Column							
Row		1	2	3	4	5	6	
	J	SAS_TX_N16	GND	SAS_TX_N18	GND	SAS_TX_N22	GND	
	H	SAS_TX_P16	SAS_TX_N17	SAS_TX_P18	SAS_TX_N20	SAS_TX_P22	SAS_TX_N23	
	G	GND	SAS_TX_P17	GND	SAS_TX_P20	GND	SAS_TX_P23	
	F	SAS_RX_N17	GND	RSVD	GND	SAS_TX_N21	GND	
	E	SAS_RX_P17	SAS_RX_N19	RSVD	SAS_TX_N19	SAS_TX_P21	RSVD	
	D	GND	SAS_RX_P19	GND	SAS_TX_P19	GND	RSVD	
	C	SAS_RX_N16	GND	SAS_RX_N20	GND	SAS_RX_N22	GND	
	B	SAS_RX_P16	SAS_RX_N18	SAS_RX_P20	SAS_RX_N21	SAS_RX_P22	SAS_RX_N23	
	A	GND	SAS_RX_P18	GND	SAS_RX_P21	GND	SAS_RX_P23	

NVMe I²C Header

Connector JNVI²C1 on the X14SBSC motherboard is a management header for the Supermicro AOC NVMe PCIe peripheral card. Connect the I²C cable to this connector.

For a detailed diagram of the X14SBSC motherboard, see the layout under "[Motherboard Quick Reference](#)" on page 29.

8-Pin Onboard Standby Fan Header

An onboard standby fan header is located at FAN1 on the X14SBSC motherboard.

For a detailed diagram of the X14SBSC motherboard, see the layout under "[Motherboard Quick Reference](#)" on page 29.

Onboard Standby FAN Header			
Pin Definitions: 8 Total			
Pin#	Definition	Pin#	Definition
1	GND	5	GND
2	+12 V_FAN	6	+12 V_FAN
3	FAN_TACH0	7	FAN_TACH1
4	FAN_PWM	8	FAN_PRSENT#

SAS 3.0 Connections (SlimSAS)

Three SAS 3.0 connections are located at CNS1, CNS2, and CNS3 on the X14SBSC motherboard. Use a SlimSAS cable to connect SATA 3.0 or PCIe devices to the motherboard.

TPM/Port 80 Header

The JTPM1 header on the X14SBSC motherboard is used to connect a Trusted Platform Module (TPM)/Port 80, which is available from Supermicro (optional). A TPM/Port 80 connector is a security device that supports encryption and authentication in storage drives. It allows the motherboard to deny access if the TPM associated with the storage drive is not installed in the system. Information on the TPM is available at the following page:

https://www.supermicro.com/manuals/other/AOM-TPM-9670V_9670H_X12_H12.pdf

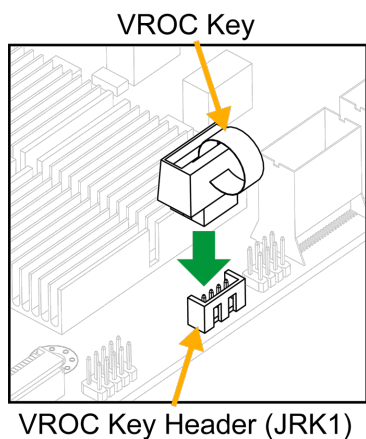
For a detailed diagram of the X14SBSC motherboard, see the layout under "[Motherboard Quick Reference](#)" on page 29.

Trusted Platform Module Header			
Pin Definitions: 10 Total			
Pin#	Definition	Pin#	Definition
1	+3.3 V	2	SPI_CS#
3	RESET#	4	SPI_MISO
5	SPI_CLK	6	Ground
7	SPI_MOSI	8	No Connection
9	+1.8 V Standby	10	SPI_IRQ#

VROC RAID Key Header

A VROC RAID Key header is located at JRK1 on the X14SBSC motherboard. Install a VROC RAID key on JRK1 for NVMe RAID support as shown in the illustration below.

For a detailed diagram of the X14SBSC motherboard, see the layout under "[Motherboard Quick Reference](#)" on page 29.



Intel VROC Key Pin Definitions: Four Total	
Pin#	Definition
1	GND
2	+3.3 V Standby
3	GND
4	CPU RAID Key

Note: Images displayed are for illustrative purposes only. The components installed in your system may or may not look exactly the same as the graphics shown in the manual.

Note: For detailed instructions on how to configure VROC RAID settings, refer to the VROC RAID Configuration User's Guide posted on the web page under the following link: <https://www.supermicro.com/support/manuals>.

4.3 I/O Ports

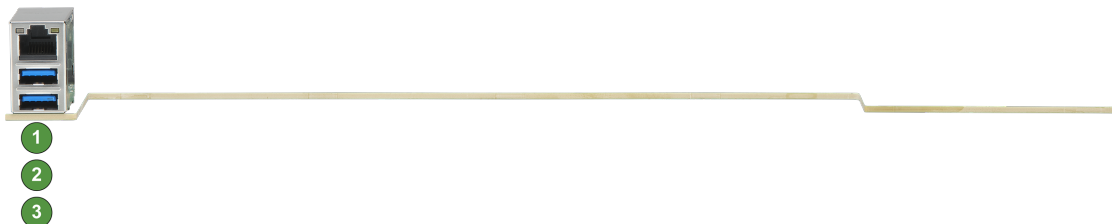


Figure 4-1. X14SBSC I/O Ports

I/O Ports	
#	Description
1	BMC_LAN
2	USB0 (3.2 Gen 1)
3	USB1 (3.2 Gen 1)

LAN Ports

The motherboard has one dedicated BMC LAN port.

For a detailed diagram of the X14SBSC motherboard, see the layout under "[Motherboard Quick Reference](#)" on page 29.

BMC LAN			
Pin Definitions: 19 Total			
Pin#	Definition	Pin#	Definition
		29	Link 1000 LED (Amber)
20	TD0+	30	Link 100 LED (Green)
21	TD0-	31	Active LED (Yellow)
22	TD1+	32	GND
23	TD1-	33	SGND
24	TD2+	34	SGND
25	TD2-	35	SGND
26	TD3+	36	SGND
27	TD3-		
28	GND		

Unit Identifier Button

A Unit Identifier (UID) button and two LED Indicators are located on the motherboard. The UID button is located near the I/O ports of the X14SBSC motherboard.

Note: After pushing and holding the UID button for 12 seconds, all BMC settings including username and password will revert back to the factory default. Only the network settings and FRU are retained.

For a detailed diagram of the X14SBSC motherboard, see the layout under "[Motherboard Quick Reference](#)" on page 29.

Function	User Input	Behavior	LED Activity
UID LED Indicator	Push Once Push Again	Turns on the UID LED Turns off the UID LED	UID LED turns solid blue UID LED turns off
BMC Reset	Push and hold for 6 seconds Push and hold for 12 seconds	BMC will do a cold boot BMC will reset to factory default	BMC Heartbeat LED turns solid green BMC Heartbeat LED turns solid green

UID Button Pin Definitions: Four Total		UID LED Pin Definitions: Four Total	
Pin#	Definition	Color	Status
1	Button In	1	Button In
2	GND	2	GND
G1	GND	G1	GND
G2	GND	G2	GND

USB Ports

There are two USB 3.2 Gen 1 ports (USB0/1) on the rear I/O panel of the X14SBSC motherboard. There is also one USB header (J35) on the front panel.

For a detailed diagram of the X14SBSC motherboard, see the layout under "[Motherboard Quick Reference](#)" on page 29.

USB0/1 (USB 3.2 Gen 1) Port			
Pin Definitions: 18 Total			
Pin#	Definitions	Pin#	Definitions
1	VBUS	10	VBUS
2	D-	11	D-
3	D+	12	D+
4	GND	13	GND
5	STDA_SSRX-	14	STDA_SSRX-
6	STDA_SSRX+	15	STDA_SSRX+
7	GND	16	GND
8	STDA_SSTX-	17	STDA_SSTX-
9	STDA_SSTX+	18	STDA_SSTX+

4.4 Jumper Settings

To modify the operation of the motherboard, jumpers can be used to choose between optional settings. Jumpers create shorts between two pins to change the function of the connector. Pin 1 is identified with a square solder pad on the printed circuit board. See the diagram below for an example of jumping pins 1 and 2. Refer to the motherboard layout page for jumper locations.

Note: On two-pin jumpers, "Closed" means the jumper is on and "Open" means the jumper is off the pins.

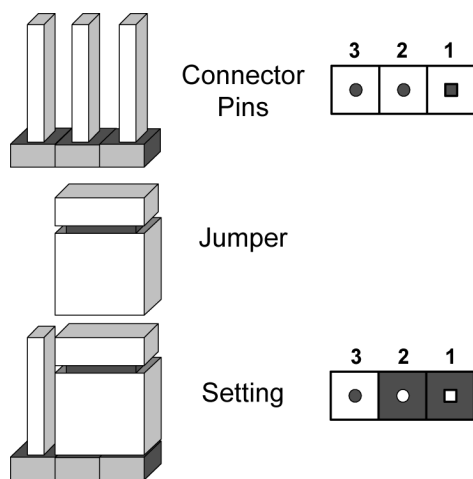
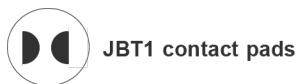


Figure 4-2. Jumping Connector Pins

CMOS Clear

JBT1 on the X14SBSC motherboard is used to clear CMOS, which will also clear any passwords. Instead of pins, this jumper consists of contact pads to prevent accidentally clearing the contents of CMOS.

For a detailed diagram of the X14SBSC motherboard, see the layout under "[Motherboard Quick Reference](#)" on page 29.



1. First power down the system and unplug the power cord(s).
2. Remove the cover of the chassis to access the motherboard.
3. Remove the onboard battery from the motherboard.

4. Short the CMOS pads, JBT1, with a metal object such as a small screwdriver for at least four seconds.

Note: Clearing CMOS will also clear all passwords.

5. Remove the screwdriver (or shorting device).
6. Replace the cover, reconnect the power cord(s), and power on the system.

TPM Select

Use JPT1 to select between the onboard TPM or external TPM. The default setting is Onboard TPM.

For a detailed diagram of the X14SBSC motherboard, see the layout under "[Motherboard Quick Reference](#)" on page 29.

TPM Select Jumper Settings	
Jumper Setting	Definition
Pins 1–2	Pins 1–2: Onboard TPM (Default)
Pins 2–3	Pins 2–3 External TPM

4.5 LED Indicators

For information about the LED indicators on the SSG-542B-DE1CR90/E1CR90/E1CR60 server, refer to the following content.

BMC Heartbeat LED

A BMC Heartbeat LED is located at LEDBMC on the X14SBSC motherboard. When this LED is blinking, the BMC is functioning normally.

For a detailed diagram of the X14SBSC motherboard, see the layout under "[Motherboard Quick Reference](#)" on page 29.

BMC Heartbeat LED Indicator	
LED Color	Definition
Green: Blinking	BMC Normal

Expander SAS35X48 Heartbeat LED

An Expander SAS35X48 Heartbeat LED is located at LED1 on the X14SBSC motherboard. When this LED is blinking, the expander is working normally.

For a detailed diagram of the X14SBSC motherboard, see the layout under "[Motherboard Quick Reference](#)" on page 29.

Expander SAS35X48 Heartbeat LED	
LED Color	Definition
Green: Blinking	Expander working

Front Panel Power LED

The Front Panel Power LED is located at LEDPWR on the X14SBSC motherboard. When this LED is on, the front panel is on.

For a detailed diagram of the X14SBSC motherboard, see the layout under "[Motherboard Quick Reference](#)" on page 29.

Front Panel Power LED Indicator	
LED Color	Definition
Off	Front Panel Power Off (power cable not connected)
Green	Front Panel Power On

M.2 LEDs

M.2 LEDs are located at LED4 and LED7 on the X14SBSC motherboard. When these LEDs are blinking, the M.2 devices are functioning normally.

For a detailed diagram of the X14SBSC motherboard, see the layout under "[Motherboard Quick Reference](#)" on page 29.

M.2 LED State	
LED Color	Definition
Green: Blinking	Device Working

SAS 3808N Heartbeat LED

A SAS 3808N Heartbeat LED is located at LED20 on the X14SBSC motherboard. When this LED is blinking green, SAS 3808N is working normally.

For a detailed diagram of the X14SBSC motherboard, see the layout under "[Motherboard Quick Reference](#)" on page 29.

SAS 3808N Alert LED	
LED Color	Definition
Green: Blinking	SAS 3808N Working

Unit ID (UID) LED

The UID LED indicator is located at LED6 on the X14SBSC motherboard. This UID indicator provides easy identification of a system that may need to be serviced.

For a detailed diagram of the X14SBSC motherboard, see the layout under "[Motherboard Quick Reference](#)" on page 29.

UID LED	
LED Indicator	
LED Color	Definitions
Blue: On	System Identified

Chapter 5:

Software

After the SSG-542B-DE1CR90/E1CR90/E1CR60 server has been installed, you can install the Operating System (OS), configure RAID settings, and install the drivers.

5.1 Microsoft Windows OS Installation	110
Installing the OS	110
5.2 Driver Installation	112
5.3 BMC	114
BMC ADMIN User Password	114

5.1 Microsoft Windows OS Installation

If you will be using RAID, you must configure RAID settings before installing the Windows OS and the RAID driver. Refer to the RAID Configuration User Guides posted on our website at <https://www.supermicro.com/support/manuals>.

Installing the OS

1. Create a method to access the Microsoft Windows installation ISO file. That can be a USB flash or media drive, or the BMC KVM console.
2. Retrieve the proper drivers. Go to the Supermicro web page for your motherboard and click on "Download the Latest Drivers and Utilities," select the proper driver, and copy it to a USB flash drive.
3. Boot from a bootable device with Windows OS installation. You can see a bootable device list by pressing <F11> during the system bootup.

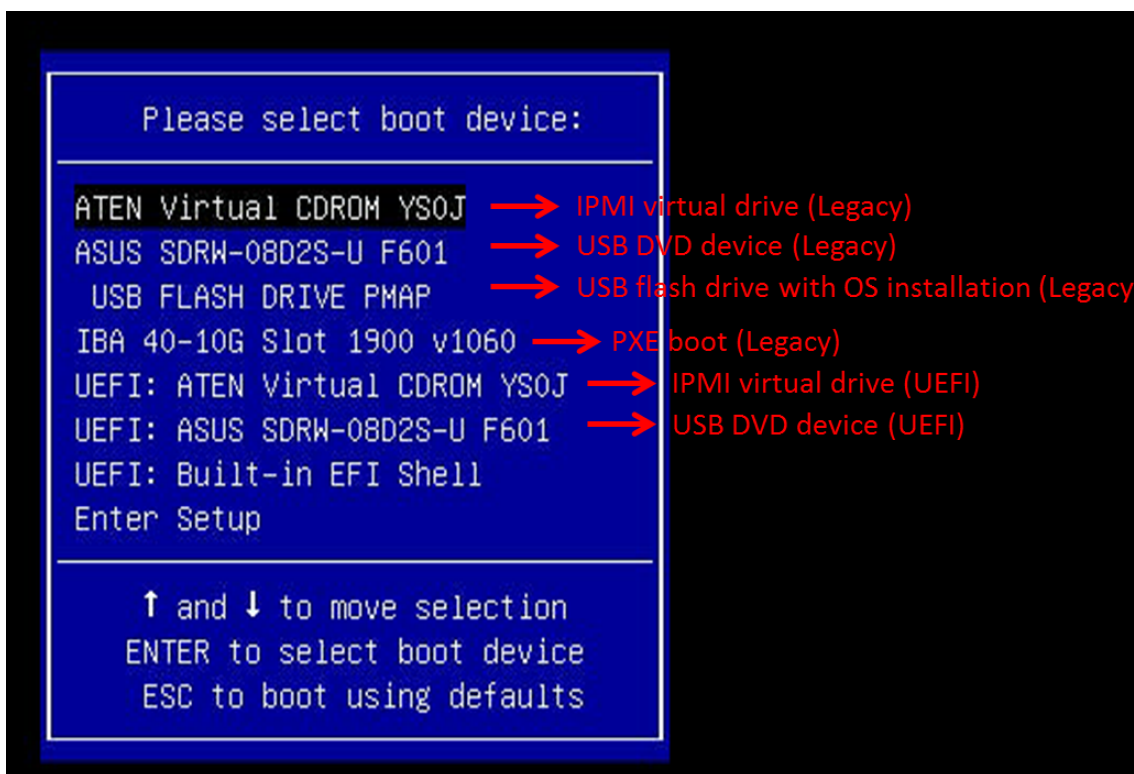


Figure 5-1. Selecting the Boot Device

4. During Windows Setup, continue to the dialog box where you select the drives on which to install Windows. If the disk you want to use is not listed, click on the "Load driver" link at the bottom left corner.

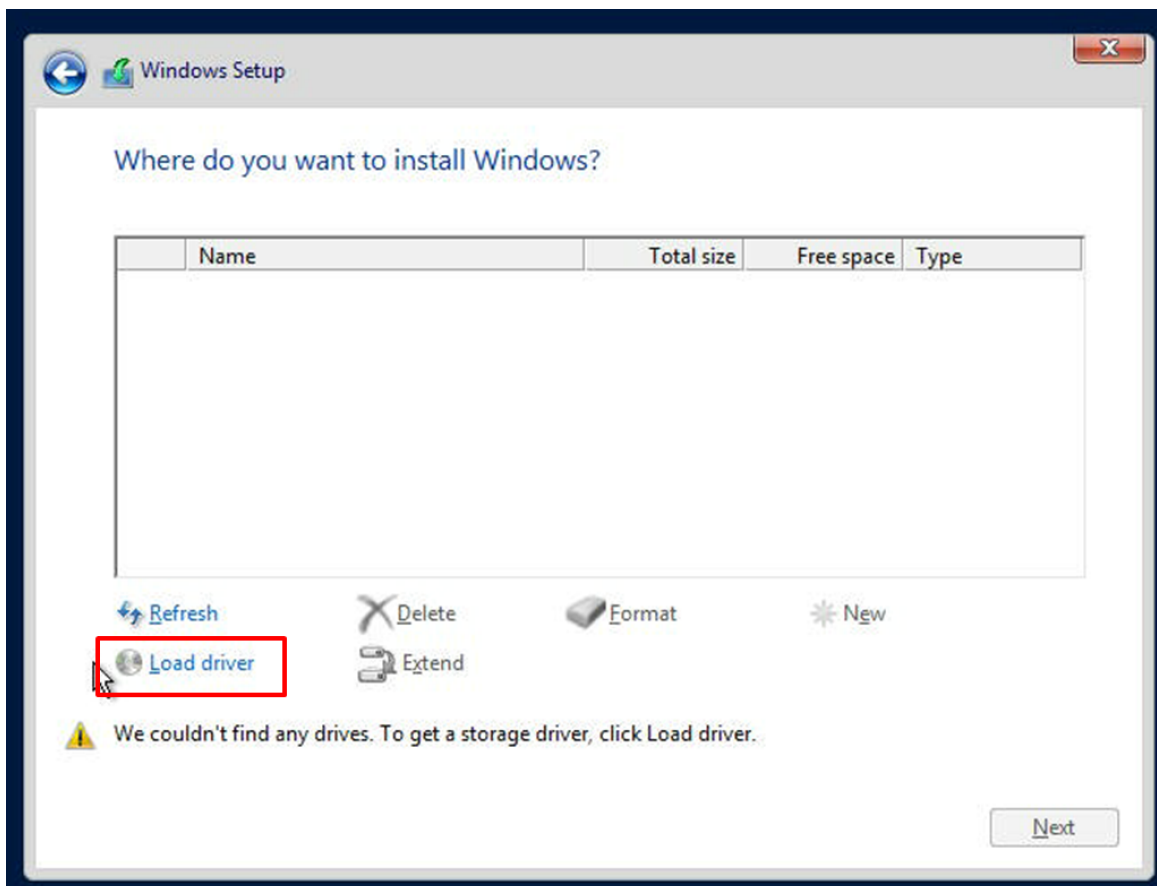


Figure 5-2. Loading the Driver Link

To load the driver, browse the USB flash drive for the proper driver files.

5. Once all devices are specified, continue with the installation.
6. After the Windows OS installation has completed, the system will automatically reboot multiple times for system updates.

5.2 Driver Installation

The Supermicro website contains drivers and utilities for your system at the following page:

<https://www.supermicro.com/wdl>.

Some of these drivers and utilities must be installed, such as the chipset driver. After accessing the website, go into the CDR_Images (in the parent directory of the above link) and locate the ISO file for your motherboard. Download this file to a USB flash or media drive. You may also use a utility to extract the ISO file if preferred.

Another option is to go to the Supermicro website at <https://www.supermicro.com>. Find the product page for your motherboard and download the latest drivers and utilities. Insert the flash drive or disk, and the screenshot shown below should appear.

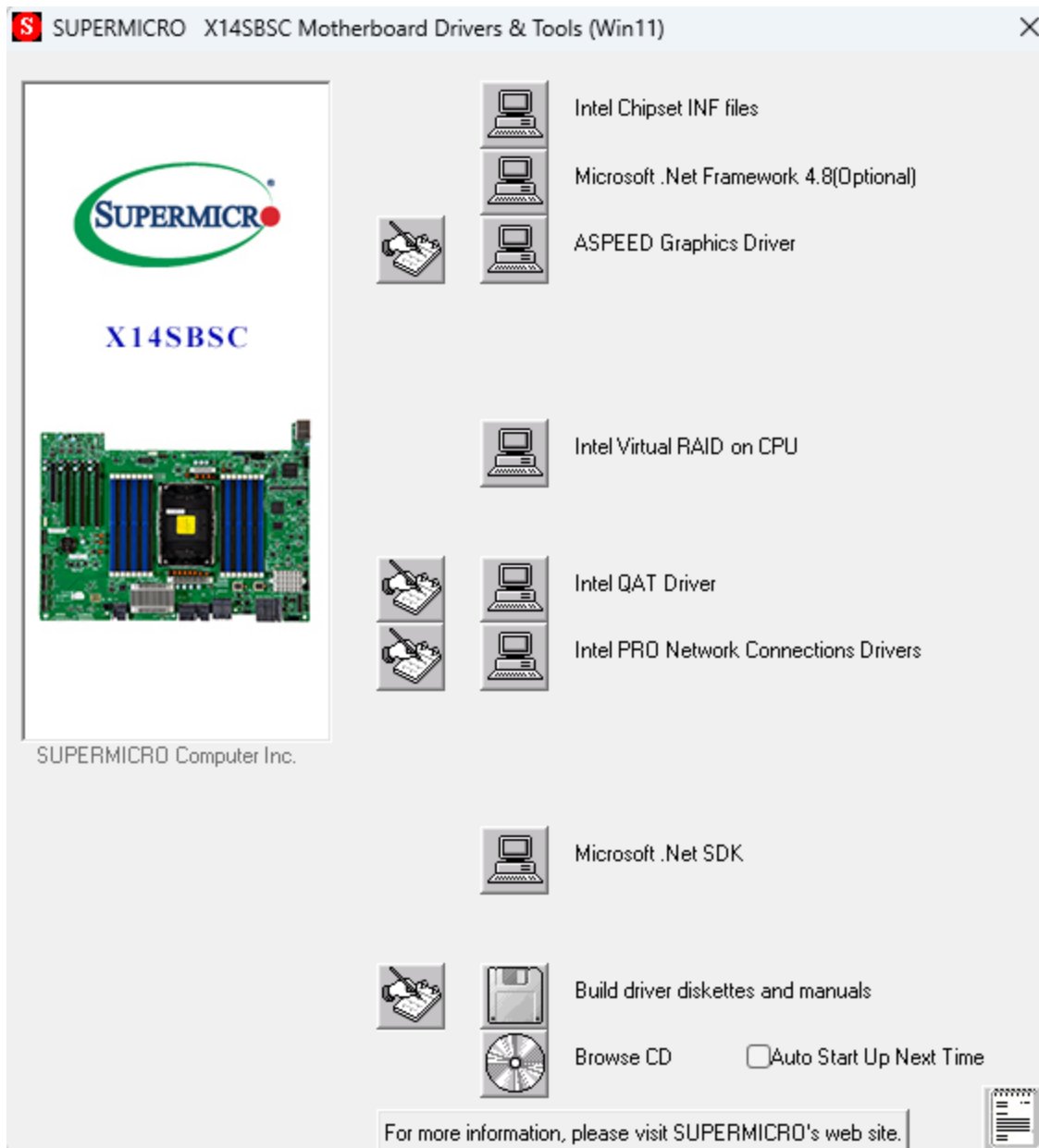


Figure 5-3. Driver & Tools Installation Screen

Note: Click the icons showing a hand writing on paper to view the readme files for each item. Click the computer icons to the right of these items to install each item (from top to bottom) one at a time. After installing each item, you must reboot the system before moving on to the next item on the list. The bottom icon with a CD on it allows you to view the entire contents.

5.3 BMC

The X14SBSC motherboard provides remote access, monitoring, and management through the baseboard management controller (BMC) and other management controllers distributed among different system modules. There are several BIOS settings that are related to BMC. For general documentation and information on BMC, visit our website at the following page:

<https://www.supermicro.com/en/solutions/management-software/bmc-resources>

BMC ADMIN User Password

For security, each system is assigned a unique default BMC password for the ADMIN user. The password can be found on a sticker on the motherboard and a sticker on the chassis, for Supermicro chassis. The sticker also displays the BMC MAC address. If necessary, the password can be reset using the Supermicro IPMICFG tool.



Figure 5-4. BMC Password Label

Chapter 6:

Optional Components

This chapter describes alternate configurations and optional system components for the SSG-542B-DE1CR90/E1CR90/E1CR60 server.

6.1 HBA Card	116
6.2 RAID Cards	117
6.3 Cable Management Arm	118
Installing the Cable Management Arm	118
Removing the Cable Management Arm	119
6.4 Intel Virtual RAID on CPU (VROC)	120
Requirements and Restrictions	120
Additional Information	120
Hardware Key	121
Configuring Intel VMD	121
Creating NVMe RAID Configurations	125

6.1 HBA Card

This is a 12 Gb/s, multi-port SAS PCIe Gen 4.0 internal Host Bus Adapter (HBA) card.

The Supermicro HBA AOC-S3816L-L16iT features 16 internal SAS connectors, and is designed for high-performance storage connectivity.

This card uses Broadcom's 3816 I/O processor for optimal performance with PCI Express Gen 4.0 host interface for increased bandwidth.

This Add-On-Card supports up to 122 devices as HBA in IT mode via expander backplane.

6.2 RAID Cards

This is a Super Micro Computer, Inc. 12 Gb/s, multi-port PCIe Gen 4.0 RAID adapter card.

The low-profile AOC-S3916L-H16iR features 16 internal SAS connectors, offering high-performance storage connectivity. This RAID card is built on Broadcom SAS IC technology and MegaRAID technology to address the growing demand for increased data throughput and scalability requirements across enterprise-class server platforms.

With high-performance RAID architecture, including hardware RAID 5 and 6, this RAID controller card supports high-capacity storage applications. It delivers cost-effective storage solutions using SATA drives and maximum performance and reliability with SAS drives. Using expander backplanes, this card supports up to 16, 32, and 240 drives (depending on SKU) with RAID 0, 1, 5, 6, 10, 50, and 60.

6.3 Cable Management Arm

The SSG-542B-DE1CR90/E1CR90/E1CR60 server supports a cable management arm (CMA), which keeps the rear cables organized and clear of the rail mechanisms when the system is extended out the front of the rack for maintenance.

The CMA attaches to the rack mounting rails using four connectors. They are labeled as connectors 1, 2, 3, and 4.

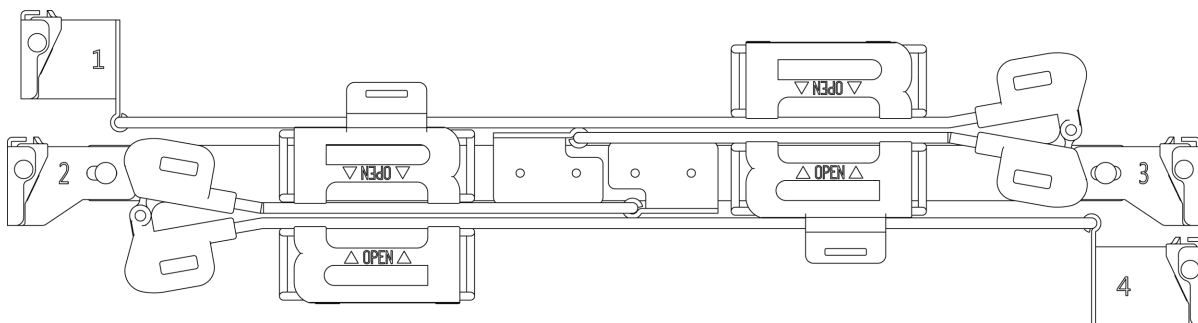


Figure 6-1. Cable Management Arm

Cable Arm Details		
Optional Part	Part Number	Description
Cable Arm	MCP-290-00168-0N	7.5" deep cable arm
Rail Set	MCP-290-11901-0N	41.2" rails (optimized for 1200-mm deep racks)

Installing the Cable Management Arm

1. Slide CMA connector #1 forward onto the two posts on the rear of the right inner rail (right side when viewed from the front). It snaps into place.
2. Slide CMA connector #2 forward onto the two posts on the rear of the right middle rail. It snaps into place.

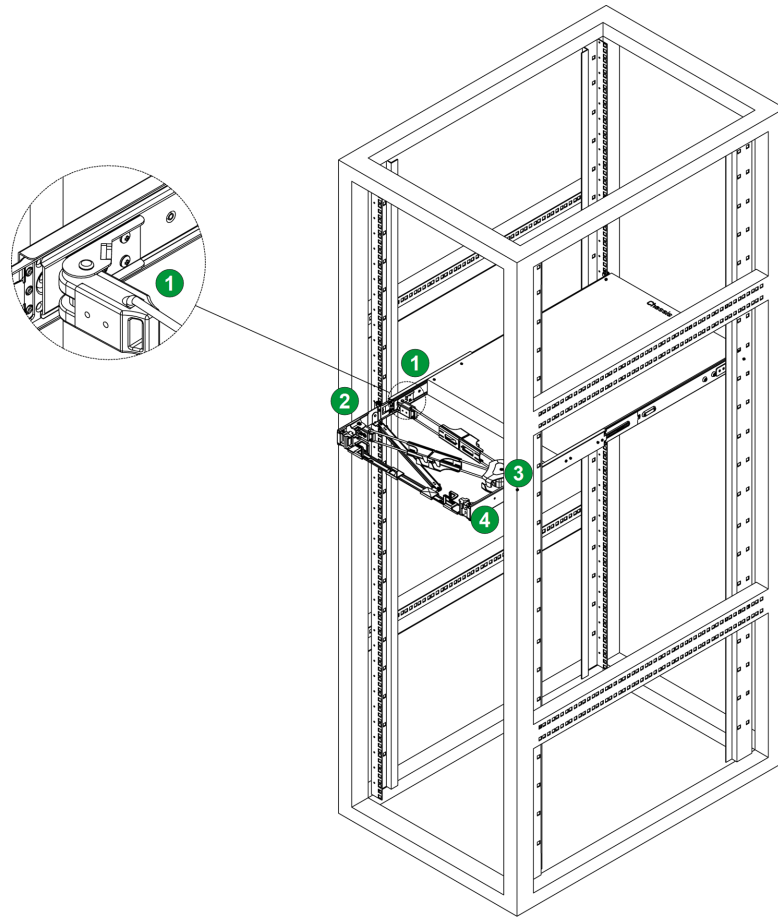


Figure 6-2. Installing the Connectors

3. Slide CMA connector #3 forward onto the two posts on the rear of the left middle rail. It snaps into place.
4. For CMA connector #4, align the metal tabs with the slots on the rear of the left outer rail and push it forward. It snaps into place.
5. Route the cables through the holding brackets, leaving enough slack.

Removing the Cable Management Arm

1. Remove cables from the CMA.
2. For CMA connector #4, pull the metal release tab toward the center of the rack and slide the connector toward the rear to release it.
3. For CMA connectors #3, #2, and #1, depress the front edge of the yellow plastic rocker lock and slide the connector toward the rear to release it.

6.4 Intel Virtual RAID on CPU (VROC)

Intel® Virtual RAID on CPU (Intel VROC) is an enterprise RAID solution for NVMe SSDs directly attached to Intel Xeon Scalable processors. Intel Volume Management Device (VMD) is an integrated controller inside the CPU PCIe root complex.

- A single processor supports up to 12 NVMe SSDs and up to 6 RAID arrays.
- A dual processor system supports up to 24 NVMe SSDs and 12 RAID arrays.

Stripe sizes are 4K, 8K, 16K, 32K, 64K, 128K.

Requirements and Restrictions

- *Intel VROC is only available when the system is configured for UEFI boot mode.*
- To enable the **mdadm** command and support for RSTe, install the patch from
 - Linux: <https://downloadcenter.intel.com/download/28158/Intel-Virtual-RAID-on-CPU-Intel-VROC-and-Intel-Rapid-Storage-Technology-enterprise-Intel-RSTe-Driver-for-Linux->
 - Windows: <https://downloadcenter.intel.com/download/28108/Intel-Virtual-RAID-on-CPU-Intel-VROC-and-Intel-Rapid-Storage-Technology-enterprise-Intel-RSTe-Driver-for-Windows->
- To enable Intel VROC, a hardware key must be inserted on the motherboard, and the appropriate processor's Virtual Management Devices must be enabled in the BIOS setup.
- It is possible to enable Intel VROC without a hardware key installed, but only RAID0 will be enabled.
- Intel VROC is not compatible with secure boot. This feature must be disabled.
- When creating bootable OS RAID1 devices, you must have both devices on the same CPU, and a VMD on that CPU.
- Spanning drives when creating RAID devices is not recommended due to performance issues, even though it is supported.

Additional Information

- Latest SSD and operating system information:
<https://www.intel.com/content/www/us/en/support/articles/000030310/memory-and-storage/ssd-software.html>

- Additional information for the Supermicro add-on card and linked manuals:
<https://www.supermicro.com/products/accessories/addon/AOC-VROCxxxMOD.cfm>

Hardware Key

The Intel VROC hardware key is a license key that detects the Intel VROC SKU and activates the function accordingly. The key must be plugged into the Supermicro motherboard (connector JRK1). The key options are:

Intel® VROC Keys			
VROC Package	Description	Part Number	Intel MM Number
Standard	RAID 0, 1, 10 Supports 3rd party SSDs	AOC-VROCSTNMOD	951605
Premium	RAID 0, 1, 5, 10 Supports 3rd party SSDs	AOC-VROCPREMOD	951606

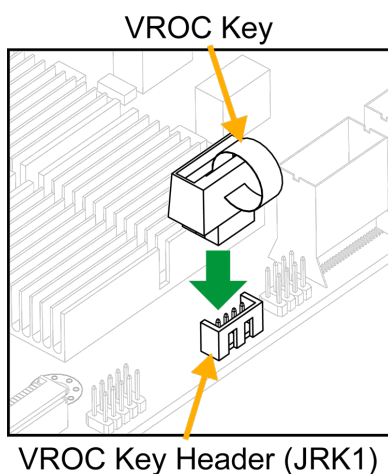


Figure 6-3. Intel VROC RAID Key and Motherboard Connector JRK1

Configuring Intel VMD

VMD must be enabled on PCIe ports which have NVMe drives attached to them in order for those drives to be added to a VROC RAID configuration. The default BIOS setting for the NVMe Mode Switch is Auto which automatically enables VMD on all installed NVMe drives.

NVMe Mode Switch:

- Auto: Enables VMD for all NVMe ports if VROC Key is installed.
- VMD: Enables VMD for all NVMe ports despite the lack of the VROC Key.
- Manual: Allows the user to select specific NVMe ports on which to enable VMD.

The NVMe Mode Switch can be viewed or selected at BIOS > Advanced > Chipset Configuration > North Bridge > IIO Configuration > Intel® VMD Technology.

Note: Without a VROC Key, there is no RAID support with the Auto switch. Only RAID 0 is supported with the VMD and Manual switches.

Configuring VMD Manually

The steps for manually configuring VMD on specific NVMe ports in UEFI BIOS are shown below. Example screenshots may differ from your server.

Important:

- If there is an existing RAID configuration, delete the RAID volume associated with the VMD controller before disabling the controller. Failure to do so may lead to unexpected behavior.
- The effects of physically changing or swapping a CPU on the VMD controller have not been thoroughly tested or documented.

1. Reboot the server and press [DEL] key to access the BIOS options.
2. Switch to Advanced > Chipset Configuration > North Bridge > IIO Configuration > Intel® VMD Technology.
3. Select VMD Mode Switch, then select Manual.

Note that Socket 0 contains CPU1; Socket 1 contains CPU2.

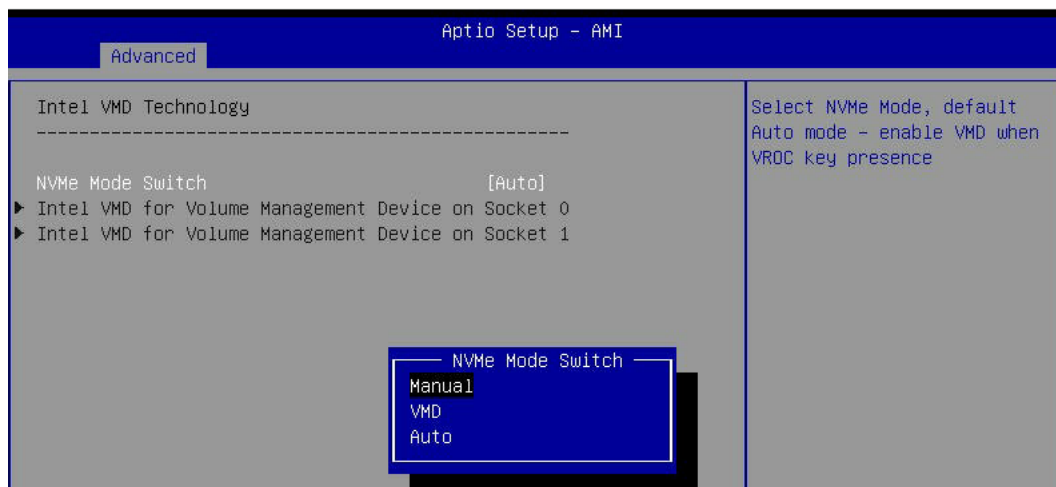


Figure 6-4. BIOS, Selecting VMD Mode

- VMD must only be enabled on NVMe port resources. If VMD is enabled on other PCIe ports, the functionality of those ports will be impacted. See the table below.

Select “Intel VMD for Volume Management Device on” on Socket 0 (CPU1) or Socket 1 (CPU2) to enable VMD for devices under the respective CPU.

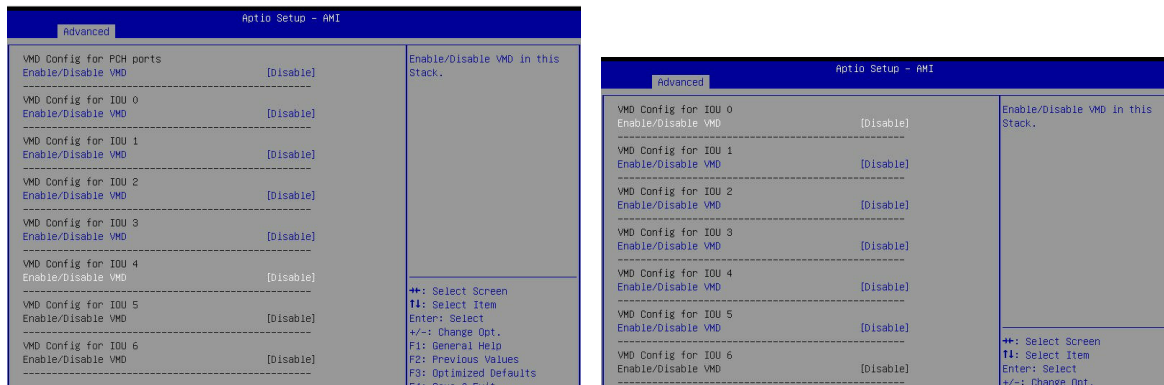


Figure 6-5. Intel VMD for Volume Management Device on Socket 0 and Socket 1

- Choose Enable for “Enable/Disable VMD” for IOU 3 to list the available devices under IOU 3.

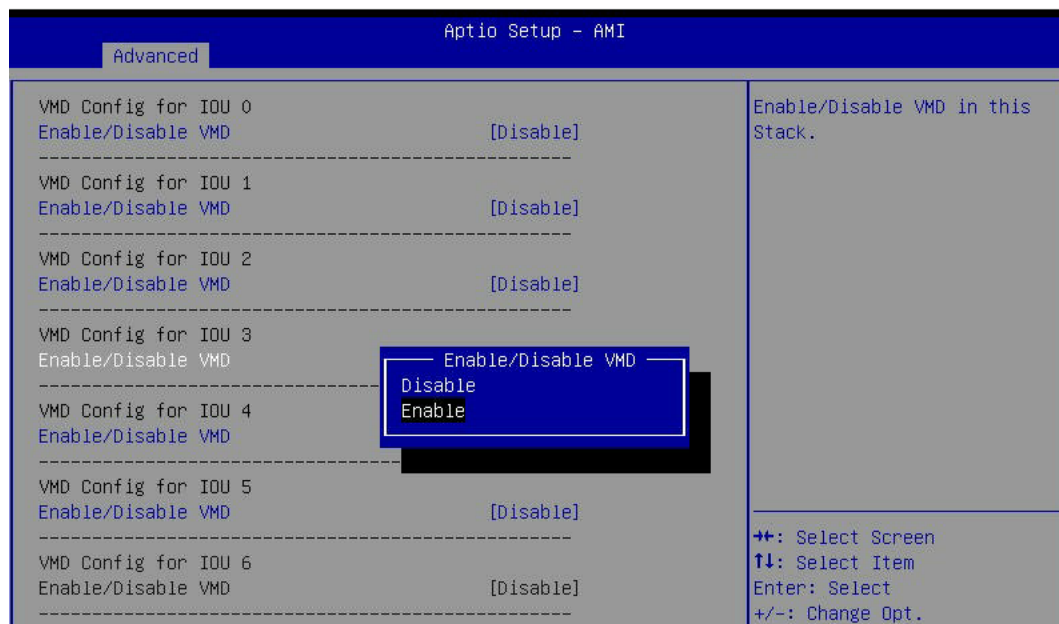


Figure 6-6. BIOS, Enabling VMD on Socket 1 (CPU2) (Example)

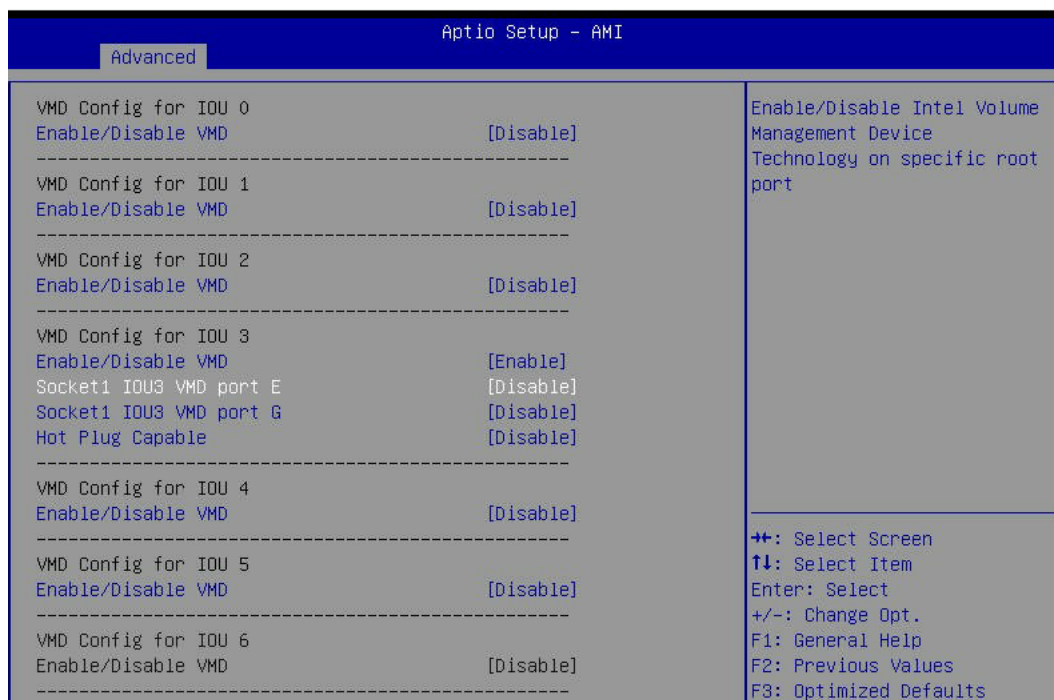


Figure 6-7. BIOS, Enabling VMD on Socket 1 (Example)

6. Enable the NVMe port resource according to table above for the NVMe drives that will be used in a RAID configuration.

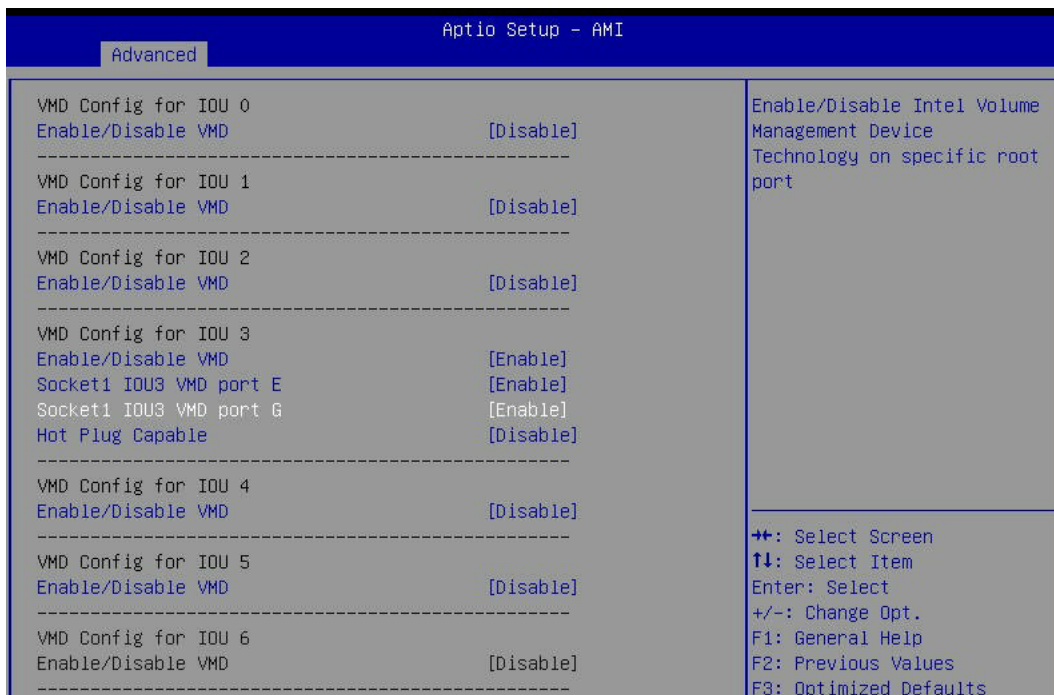


Figure 6-8. BIOS, Enabling Socket 1 (Example)

7. Choose whether to make the NVMe drives in this IOU Hot Plug Capable by selecting Enabled or Disabled.
8. Repeat steps 4 through 7 for each IOU # on each CPU to enable VMD on the desired NVMe ports.

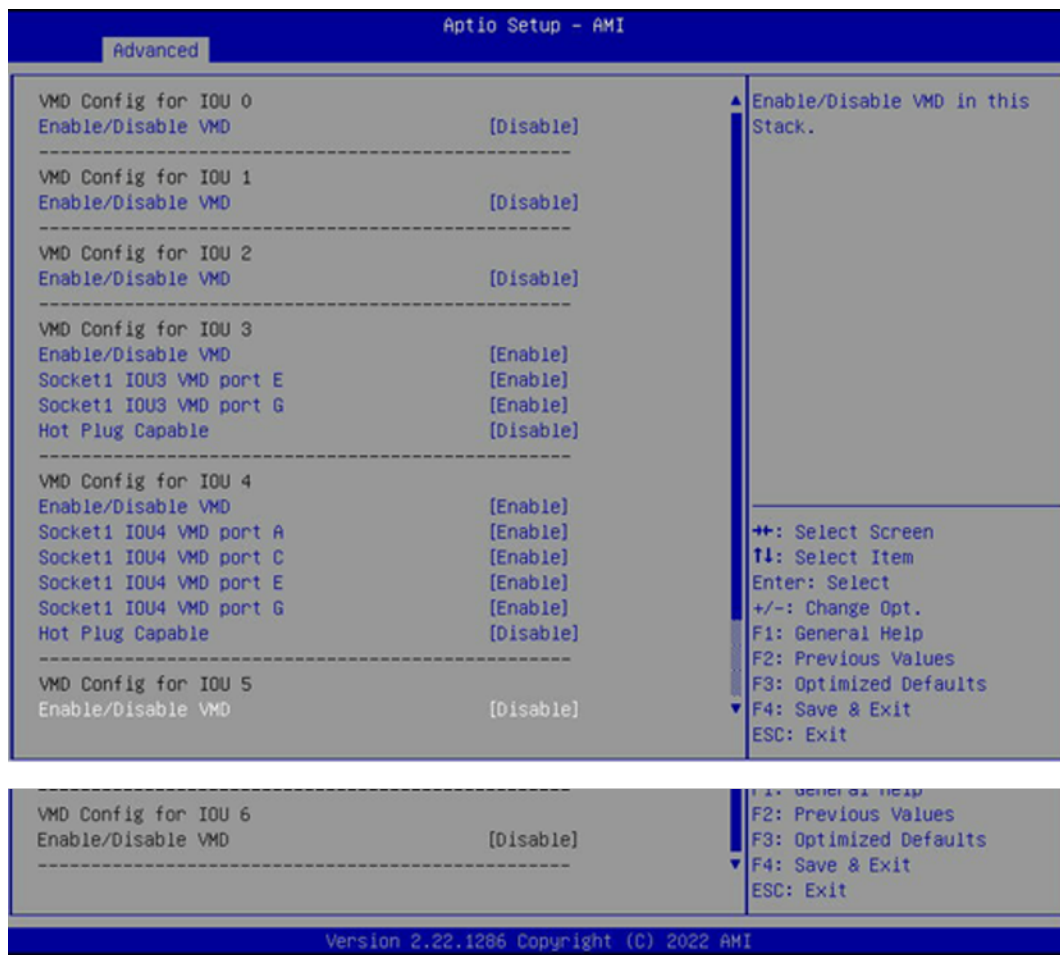


Figure 6-9. BIOS, Enabling Socket 1 Completed (Example)
 (This example shows SYS-621H-TN12R with 12 NVMe. Other systems will look different.)

9. Press [F4] to save the configuration and reboot the system.

Creating NVMe RAID Configurations

1. Open Advanced > Intel(R) Virtual RAID on CPU > All Intel VMD Controllers > Create RAID Volume.

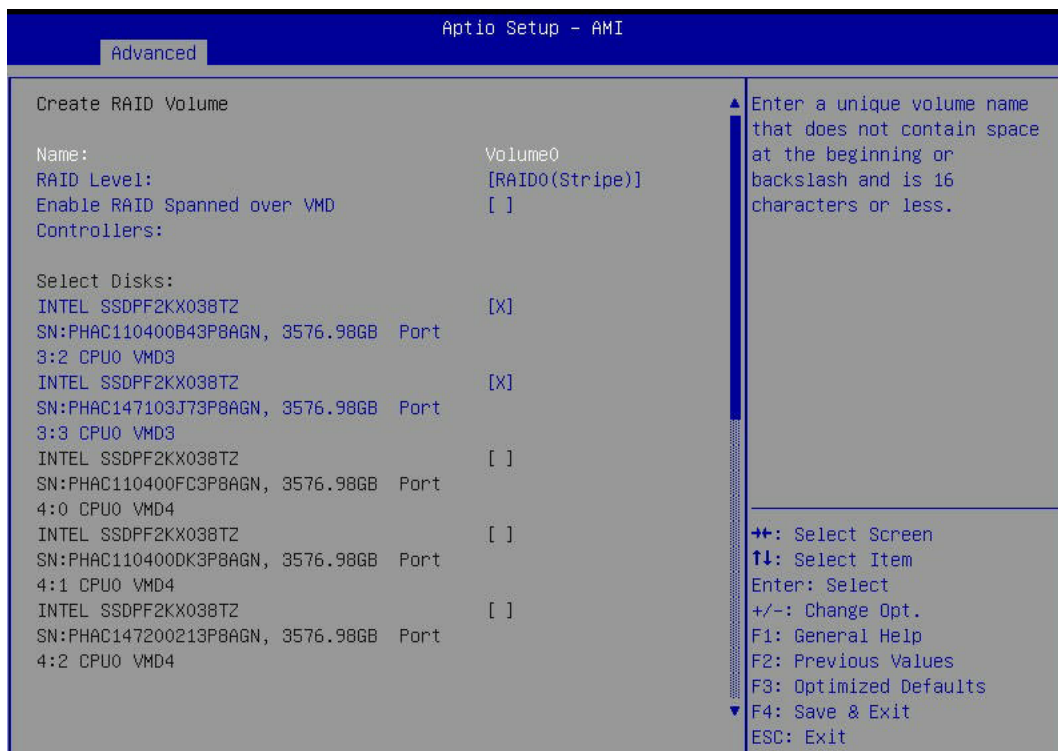


Figure 6-10. Creating Volume without enabling RAID spanned over VMD controller

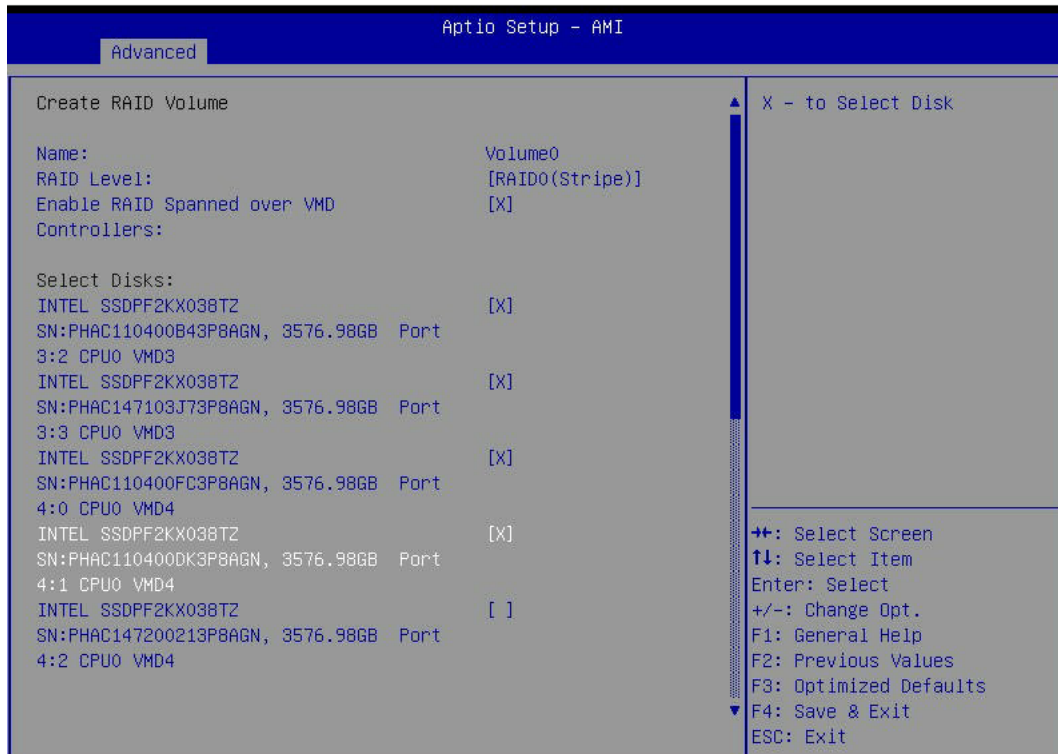


Figure 6-11. Creating Volume with enabling RAID spanned over VMD controller

2. Set Name.
3. Set RAID Level.
4. If cross-controller RAID is required, select Enable RAID spanned over VMD Controller.
5. Select specific disks for RAID with an [X].
 - RAID0: Select at least two [2–24] disks
 - RAID1: Select only two disks
 - RAID5: Select at least three [3–24] disks
 - RAID10: Select only four disks
6. Select Strip Size (Default 64 KB).
7. Select Create Volume.
8. If another RAID is needed, start again at step 1.

Status Indications

An LED indicator on the drive carrier shows the RAID status of the drive.

Drive Carrier Status LED Indicator	
Status	State (red)
Normal function	Off
Locating	4 Hz blinking
Fault	Solid on
Rebuilding	1 Hz blinking
IBPI SFF 8489 Defined Status LED States	

Hot-Swap Drives

Intel VMD enables hot-plug and hot-unplug for NVMe SSDs, whether from Intel or other manufacturers. Under vSphere ESXi, several steps are necessary to avoid potential stability issues. See the information at link [1] below.

Hot-Unplug

1. Prevent devices from being re-detected during rescan:


```
esxcli storage core claiming autoclaim --enabled=false
```
2. Unmount the VMFS volumes on the device. Check link [2] below for details.

3. Detach the device. Check link [3] below for details.
4. Physically remove the device.

Hot-Plug

- Physically install the device.

ESXi will automatically discover NVMe SSDs, but a manual scan may be required in some cases.

Related Information Links

1. <https://kb.vmware.com/s/article/2151404>
2. <https://docs.vmware.com/en/VMware-vSphere/6.5/com.vmware.vsphere.storage.doc/GUID-1B56EF97-F60E-4F21-82A7-8F2A7294604D.html>
3. <https://docs.vmware.com/en/VMware-vSphere/6.5/com.vmware.vsphere.storage.doc/GUID-F2E75F67-740B-4406-9F0C-A2D99A698F2A.html>

Chapter 7:

Troubleshooting and Support

The following content contains information on common issues and how to resolve them.

7.1 Online Resources	130
Direct Links for the SSG-542B-DE1CR90/E1CR90/E1CR60 System	130
Direct Links for General Support and Information	130
7.2 Baseboard Management Controller (BMC)	132
7.3 Troubleshooting Procedures	133
Before Power On	133
No Power	133
No Video	133
System Boot Failure	133
Memory Errors	134
Losing the System's Setup Configuration	134
If the System Becomes Unstable	134
7.4 CMOS Clear	136
7.5 Motherboard Battery	137
7.6 Where to Get Replacement Components	138
7.7 Technical Support Procedures	139
Returning Merchandise for Service	139
7.8 Feedback	141

7.1 Online Resources

A great deal of information is available on the Supermicro website. From the top menu of the Supermicro home page at <https://www.supermicro.com>:

- Specifications for servers and other hardware are available by clicking **Products**.
- The **Support** option offers downloads (manuals, BIOS/BMC, drivers, etc.), FAQs, RMA, warranty, and other service extensions.

Direct Links for the SSG-542B-DE1CR90/E1CR90/E1CR60 System

- SSG-542B-DE1CR90/E1CR90/E1CR60 system specifications pages:
 - <https://www.supermicro.com/en/products/system/storage/4u/ssg-542b-de1cr90>
 - <https://www.supermicro.com/en/products/system/storage/4u/ssg-542b-e1cr90>
 - <https://www.supermicro.com/en/products/system/storage/4u/ssg-542b-e1cr60>
- X14SBSC motherboard page for links to the quick reference guide, user manual, validated storage drives, and more:
<https://www.supermicro.com/en/products/motherboard/x14sbsc>

Direct Links for General Support and Information

- General Memory Configuration Guide for X14 and B14 motherboards that use Intel® Xeon® 6700-series processors:
https://www.supermicro.com/support/resources/memory/X14_B14_memory_config_guide_SP.pdf
- Frequently Asked Questions: <https://www.supermicro.com/FAQ/index.php>
- TPM User Guide: https://www.supermicro.com/manuals/other/AOM-TPM-9670V_9670H_X12_H12.pdf
- BMC User Guide: https://www.supermicro.com/manuals/other/BMC_IPMI_X14_H14.pdf
- Product Resources page for validated memory details:
<https://www.supermicro.com/support/resources/mem.cfm>
- Product Matrices page for links to tables summarizing specs for systems, motherboards, power supplies, riser cards, add-on cards, and more:
<https://www.supermicro.com/en/support/product-matrices>
- Security Center for recent security notices:

https://www.supermicro.com/en/support/security_center

- Supermicro Phone and Addresses: <https://www.supermicro.com/en/about/contact>

7.2 Baseboard Management Controller (BMC)

The SSG-542B-DE1CR90/E1CR90/E1CR60 server supports the Baseboard Management Controller (BMC). BMC is used to provide remote access, monitoring, and management. There are several BIOS settings that are related to BMC.

For general documentation and information on BMC, visit our website at the following page:

<https://www.supermicro.com/en/solutions/management-software/bmc-resources>

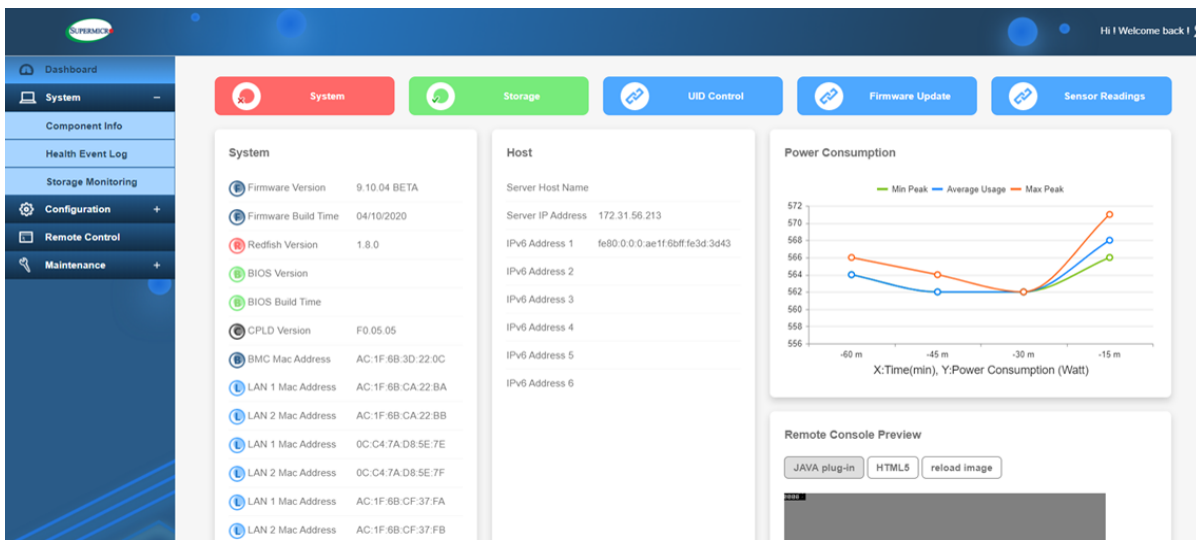


Figure 7-1. BMC Dashboard

7.3 Troubleshooting Procedures

Use the following procedures to troubleshoot your system. If you have followed all of the procedures below and still need assistance, refer to the ["Technical Support Procedures" on page 139](#) section in this chapter. Always disconnect the AC power cord before adding, changing or installing any non hot-swap hardware components. If the below steps do not fix the setup configuration problem, contact your vendor for repairs.

Before Power On

1. Make sure that there are no short circuits between the motherboard and chassis.
2. Disconnect all ribbon/wire cables from the motherboard, including those for the keyboard and mouse.
3. Remove all add-on cards.
4. Install the processor (making sure it is fully seated) and connect the front panel connectors to the motherboard.

No Power

1. Make sure that there are no short circuits between the motherboard and the chassis.
2. The battery on your motherboard may be old. Check to verify that it still supplies approximately 3 VDC. If it does not, replace it with a new one.

No Video

1. If the power is on, but you do not have video, remove all add-on cards and cables.
2. Remove all memory modules and turn on the system (if the alarm is on, check the specs of memory modules, reset the memory, or try a different one).

System Boot Failure

If the system does not display Power-On-Self-Test (POST) or does not respond after the power is turned on, do the following:

1. Remove all components from the motherboard, especially the DIMMs. Power on the system and check if the power-on LED and the BMC Heartbeat LED are on, and system fans are spinning.

2. Turn on the system with only one DIMM installed. If the system boots, check for bad DIMMs or slots by following the Memory Errors Troubleshooting procedure in this chapter.

Memory Errors

When suspecting faulty memory is causing the system issue, check the following:

1. Make sure that the memory modules are compatible with the system and are properly installed. See "[Maintenance and Component Installation](#)" on [page 44](#) for installation instructions. (For memory compatibility, refer to the "Tested Memory List" link on the motherboard's product page to see a list of supported memory.)
2. Check if different speeds of DIMMs have been installed. It is strongly recommended that you use the same RAM type and speed for all DIMMs in the system.
3. Make sure that you are using the correct type of DIMMs recommended by the manufacturer.
4. Check for bad DIMMs or slots by swapping a single module among all memory slots and check the results.

Losing the System's Setup Configuration

1. Make sure that you are using a high-quality power supply. A poor-quality power supply may cause the system to lose the CMOS setup information. Refer to "[Introduction](#)" on [page 16](#) for details on recommended power supplies.
2. The battery on your motherboard may be old. Check to verify that it still supplies approximately 3 VDC. If it does not, replace it with a new one.

If the System Becomes Unstable

If the system becomes unstable during or after OS installation, check the following:

1. Processor/BIOS support: Make sure that your processor is supported and that you have the latest BIOS installed in your system.
2. Memory support: Make sure that the memory modules are supported. Refer to the product page on our website at <https://www.supermicro.com>. Test the modules using memtest86 or a similar utility.

Note: Click on the "Tested Memory List" link on the motherboard's product page to see a list of supported memory.

3. Storage Drive support: Make sure that all storage drives work properly. Replace the failed storage drives with good ones.
4. System cooling: Check the system cooling to make sure that all heatsink fans and processor/system fans, etc., work properly. Check the hardware monitoring settings in the BMC to make sure that the processor and system temperatures are within the normal range. Also, check the front panel Overheat LED and make sure that it is not on.
5. Adequate power supply: Make sure that the power supply provides adequate power to the system. Make sure that all power connectors are connected. Refer to our website for more information on the minimum power requirements.
6. Proper software support: Make sure that the correct drivers are used.

If the system becomes unstable before or during OS installation, check the following:

1. Source of installation: Make sure that the devices used for installation are working properly, including boot devices such as a CD/Media drive.
2. Cable connection: Check to make sure that all cables are connected and working properly.
3. Use the minimum configuration for troubleshooting: Remove all unnecessary components (starting with add-on cards first), and use the minimum configuration (but with the processor and a memory module installed) to identify the trouble areas. Refer to the steps listed above in this section for proper troubleshooting procedures.
4. Identify bad components by isolating them: If necessary, remove a component in question from the chassis, and test it in isolation to make sure that it works properly. Replace a bad component with a good one.
5. Check and change one component at a time instead of changing several items at the same time. This will help isolate and identify the problem.
6. To find out if a component is good, swap this component with a new one to see if the system will work properly. If so, then the old component is bad. You can also install the component in question in another system. If the new system works, the component is good and the old system has problems.

7.4 CMOS Clear

JBT1 on the X14SBSC motherboard is used to clear CMOS, which will also clear any passwords. For information on clearing CMOS, refer to ["CMOS Clear" on page 105](#) earlier in this manual.

7.5 Motherboard Battery

For information on removing, disposing of, and replacing the motherboard battery of your system, refer to ["Motherboard Battery Removal and Installation" on page 76](#).

7.6 Where to Get Replacement Components

If you need replacement parts for your SSG-542B-DE1CR90/E1CR90/E1CR60 server, to ensure the highest level of professional service and technical support, purchase exclusively from our Supermicro Authorized Distributors/System Integrators/Resellers. A list can be found on the Supermicro website:

<https://www.supermicro.com>

Under the "Buy" menu, click the "Where to Buy" link.

7.7 Technical Support Procedures

Before contacting Technical Support, take the following steps. Also, note that as a motherboard manufacturer, Supermicro also sells motherboards through its channels, so it is best to first check with your distributor or reseller for troubleshooting services. They should know of any possible problems with the specific system configuration that was sold to you.

1. Refer to "Troubleshooting Procedures" on page 133 or see the FAQs on our website (<https://www.supermicro.com/FAQ/index.php>) before contacting Technical Support.
2. BIOS upgrades can be downloaded from our website (https://www.supermicro.com/support/resources/bios_ipmi.php).
3. If you still cannot resolve the problem, include the following information when contacting Supermicro for technical support:
 - Motherboard model and PCB revision number
 - BIOS release date/version (This can be seen on the initial display when your system first boots up.)
 - System configuration
4. An example of a Technical Support form is on our website at <https://webpr3.supermicro.com/SupportPortal>.
5. Distributors: For immediate assistance, have your account number ready when placing a call to our Technical Support department. For Supermicro contact information, refer to "Contacting Supermicro" on page 15.

Returning Merchandise for Service

A receipt or copy of your invoice marked with the date of purchase is required before any warranty service will be rendered. You can obtain service by calling your vendor for a Returned Merchandise Authorization (RMA) number. When returning the server to the manufacturer, the RMA number should be prominently displayed on the outside of the shipping carton, and the shipping package is mailed prepaid or hand-carried. Shipping and handling charges will be applied for all orders that must be mailed when service is complete.

For faster service, RMA authorizations can be requested online at the following page:

<https://www.supermicro.com/RmaForm>

Whenever possible, repack the server in the original Supermicro carton, using the original packaging material. If these are no longer available, be sure to pack the server securely, using packaging material to surround the server so that it does not shift within the carton and become damaged during shipping.

This warranty only covers normal consumer use and does not cover damages incurred in shipping or from failure due to the alteration, misuse, abuse or improper maintenance of products.

During the warranty period, contact your distributor first for any product problems.

7.8 Feedback

Supermicro values your feedback as we strive to improve our customer experience in all facets of our business. Email us at Techwriterteam@supermicro.com to provide feedback on our manuals.

Chapter 8:

UEFI BIOS

The following content contains information on BIOS configuration with the SSG-542B-DE1CR90/E1CR90/E1CR60 server.

8.1 Introduction	143
8.2 Main Setup	145
8.3 Advanced Setup Configurations	147
8.4 Event Logs	229
8.5 BMC	231
8.6 Security	235
8.7 Boot	242
8.8 Save & Exit	244

8.1 Introduction

This chapter describes the AMIBIOS™ Setup utility for the motherboard. The BIOS is stored on a chip and can be easily upgraded using the UEFI script (flash.nsh), the BMC WebUI, or the SuperServer Automation Assistant (SAA) utility.

Note: Due to periodic changes to the BIOS, some settings may have been added or deleted and might not yet be recorded in this manual. Refer to the Manual Download area of our website for any changes to BIOS that may not be reflected in this manual.

Updating BIOS

It is recommended that you do not upgrade your BIOS if you are not experiencing any problems with your system. Updated BIOS files are located on our website at the following page:

https://www.supermicro.com/support/resources/bios_ipmi.php

Check our BIOS warning message and the information on how to update your BIOS on our website. Select your motherboard model and download the BIOS file to your computer. Also, check the current BIOS revision to make sure that it is newer than your BIOS before downloading.

Important: Do not shut down or reset the system while updating the BIOS to prevent possible system boot failure! Read the motherboard README file carefully before you perform the BIOS update.

Unzip the BIOS file onto a bootable USB device and then boot into the built-in UEFI Shell and type "flash.nsh <BIOS filename><BMC Username><BMC Password>" to start the BIOS update. The flash script will invoke the SCC (EFI) tool automatically to perform the BIOS update, beginning with uploading the BIOS image to BMC. After uploading the firmware, the system will reboot to continue the process. The BMC will take over and continue the BIOS update in the background. The process will take 3–5 minutes.

Starting the Setup Utility

To enter the BIOS Setup utility, press the <Delete> key while the system is booting-up. In most cases, the <Delete> key is used to invoke the BIOS Setup screen. There are a few cases when other hot keys are used, such as <F1>, <F2>, etc. Each main BIOS menu option is described in this manual.

The Main BIOS screen has two main frames. The left frame displays all the options that can be configured. "Grayed-out" options cannot be configured. The right frame displays the key legend. Above the key legend is an area reserved for a text message. When a BIOS submenu or item is selected in the left frame, it is highlighted in white. Often a text message will accompany it. (Note that BIOS has default text messages built in. We retain the option to include, omit, or change any of these text messages.) Settings printed in **Bold** are the default values.

A "▶" indicates a submenu. Highlighting such an item and pressing the <Enter> key open the list of settings within that submenu.

The BIOS Setup utility uses a key-based navigation system called hot keys. Most of these hot keys (<F1>, <F2>, <F3>, <F4>, <F5>, <F6>, <Enter>, <ESC>, the arrow keys, etc.) can be used at any time during the setup navigation process.

8.2 Main Setup

The Main setup screen appears when the AMI BIOS Setup utility is first entered. To return to the Main setup screen, select the Main tab at the top of the screen. The Main BIOS setup screen is shown below.

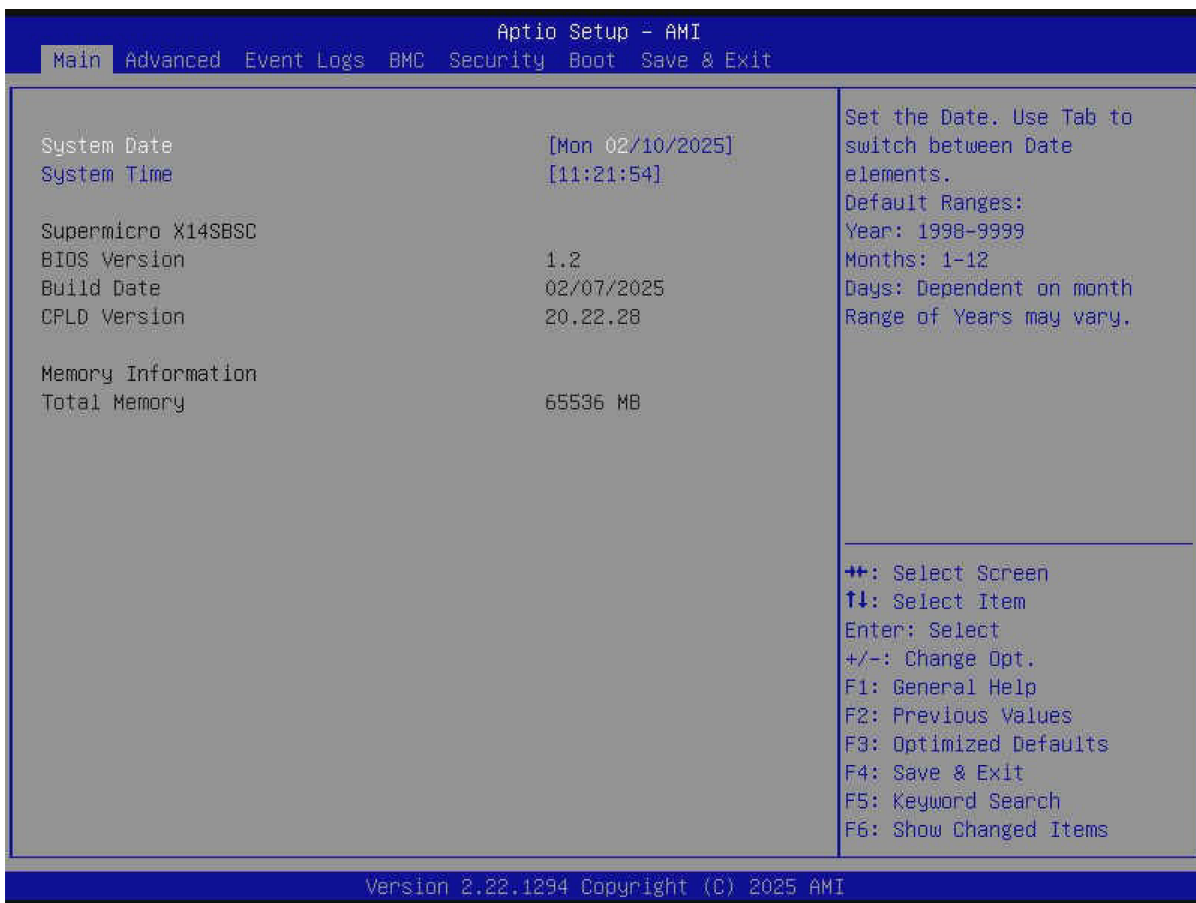


Figure 8-1. Main Setup Screen

System Date/System Time

Use the two features to change the system date and time. Highlight **System Date** or **System Time** using the arrow keys. Enter new values using the keyboard. Press the <Tab> key or the arrow keys to move between fields. The date must be entered in MM/DD/YYYY format. The time is entered in HH:MM:SS format.

Note: The time is in the 24-hour format. For example, 5:30 P.M. appears as 17:30:00.

Supermicro X14SBSC

BIOS Version

This feature displays the version of the BIOS ROM used in the system.

Build Date

This feature displays the date when the version of the BIOS ROM used in the system was built.

CPLD Version

This feature displays the version of the Complex-Programmable Logical Device (CPLD) used in the system.

Memory Information

Total Memory

This feature displays the total size of memory available in the system.

8.3 Advanced Setup Configurations

Use the arrow keys to select the Advanced submenu and press <Enter> to access the submenu items.

Important: Use caution when changing the Advanced settings. An incorrect value, an improper DRAM frequency, or a wrong BIOS timing setting may cause the system to malfunction. When this occurs, revert the setting to the manufacture default settings.

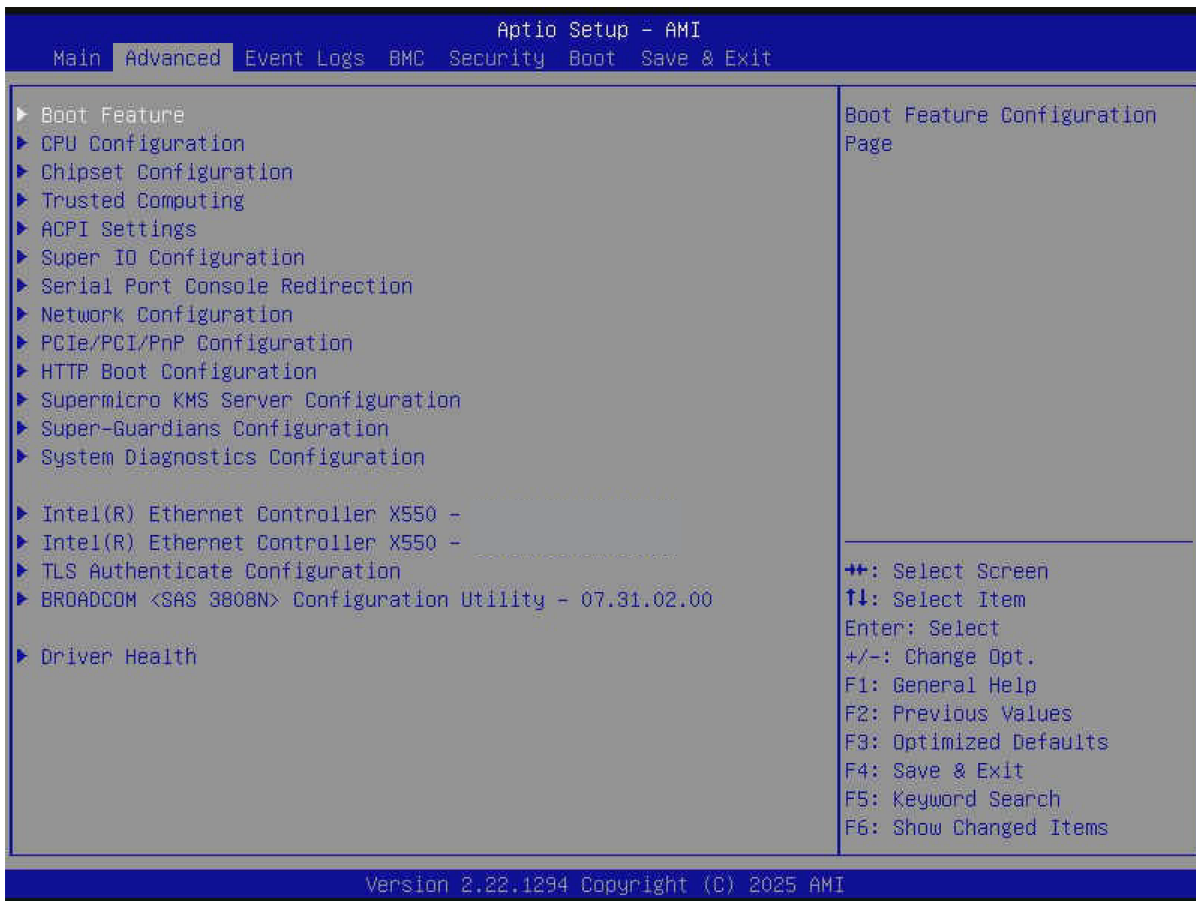


Figure 8-2. Advanced Setup Configurations Screen

Boot Feature Menu

► Boot Feature

Quiet Boot

Use this feature to select the screen between displaying the Power-on Self Test (POST) messages or the OEM logo upon bootup. Select Disabled to display the POST messages. Select Enabled to display the OEM logo instead of the normal POST messages. The options

are Disabled and **Enabled**.

Note: BIOS POST messages are always displayed regardless of the setting of this feature.

Bootup NumLock State

Use this feature to set the Power-on state for the <Numlock> key. The options are **On** and Off.

Wait For "F1" If Error

Select Enabled to force the system to wait until the <F1> key is pressed if an error occurs. The options are **Disabled** and Enabled.

Re-try Boot

If this feature is set to Enabled, the system BIOS will automatically reboot the system from an Extensible Firmware Interface (EFI) boot device after an initial boot failure. The options are **Disabled** and Enabled.

Power Configuration

Watch Dog Function

Select Enabled to allow the Watch Dog timer to reboot the system when it is inactive for more than five minutes. The options are **Disabled** and Enabled.

Watch Dog Action (Available when "Watch Dog Function" is set to Enabled)

Use this feature to configure the Watch Dog Time_out setting. The options are **Reset** and NMI.

Restore on AC Power Loss

Use this feature to set the power state after a power outage. Select Stay Off for the system power to remain off after a power loss. Select Power On for the system power to be turned on after a power loss. Select Last State to allow the system to resume its last power state before a power loss. The options are Stay Off, Power On, and **Last State**.

Power Button Function

This feature controls how the system shuts down when the power button is pressed. Select 4 Seconds Override to power off the system after pressing and holding the power button for four seconds or longer. Select Instant Off to instantly power off the system as soon as you press the power button. The options are **Instant Off** and 4 Seconds Override.

CPU Configuration Menu

► CPU Configuration

Important: Setting the wrong values for the features included in the following sections may cause the system to malfunction.

The following processor information is displayed:

- Processor BSP Revision
- Processor Socket
- Processor ID
- Processor Frequency
- Processor Max Ratio
- Processor Min Ratio
- Microcode Revision
- L1 Cache RAM (Per Core)
- L2 Cache RAM (Per Core)
- L3 Cache RAM (Per Package)
- Processor 0 Version

Hyper-Threading [ALL]

Select Enabled to use Intel Hyper-Threading Technology to enhance CPU performance. The options are Disabled and **Enabled**. This feature is CPU-dependent.

Note: This feature is NOT available when "Workload Profile" is set to Telco FlexRAN.

Hardware Prefetcher

If this feature is set to Enabled, the hardware prefetcher will prefetch data from the main system memory to Level 2 cache to help expedite data transaction to enhance memory performance. The options are **Enabled** and Disabled.

Note: This feature is NOT available when "Workload Profile" is set to HPC, I/O, or Virtualization.

Adjacent Cache Prefetch

Select Enabled for the CPU to prefetch both cache lines for 128 bytes as comprised. Select Disabled for the CPU to prefetch both cache lines for 64 bytes. The options are **Enabled** and Disabled.

Note: This feature is NOT available when "Workload Profile" is set to HPC, I/O, or Virtualization.

DCU Streamer Prefetcher

If this feature is set to Enabled, the Data Cache Unit (DCU) streamer prefetcher will prefetch data streams from the cache memory to the DCU to speed up data accessing and processing to enhance CPU performance. The options are Enabled, Disabled, and **Auto**.

Note: This feature is NOT available when "Workload Profile" is set to HPC, I/O, or Virtualization.

DCU IP Prefetcher

This feature allows the system to use the sequential load history, which is based on the instruction pointer of previous loads, to determine whether the system will prefetch additional lines. The options are **Enabled** and Disabled.

Note: This feature is NOT available when "Workload Profile" is set to HPC, I/O, or Virtualization.

LLC Prefetch

If this feature is set to Enabled, LLC (hardware cache) prefetching on all threads will be supported. The options are **Disabled** and Enabled. This feature is CPU-dependent.

Note: This feature is available when "Workload Profile" is set to Disabled, Telco NFVI, or Telco NFVI-FP.

Homeless Prefetch

Select Enabled for Homeless Prefetch support on all threads, which is an Effective Prefetch Strategy (EPS) used to enhance memory performance by reducing communication overhead, network latency, and the wait time needed for barrier synchronization in memory prefetching commonly associated with the home-based software Distributed Shared Memory (DSM) system. The options are Disabled, Enabled, and **Auto**. Please note that the option of Auto is program-specific. This feature is CPU-dependent.

Note: This feature is NOT available when "Workload Profile" is set to Telco FlexRAN.

AMP Prefetch

Select Enabled to use a machine learning algorithm to predict the best L2 prefetcher configuration for the currently running workload. This feature can improve the performance of various general-purpose workloads. The options are Disabled and **Enabled**. This feature is CPU-dependent.

Note: This feature is NOT available when "Workload Profile" is set to Telco FlexRAN.

APIC Physical Mode

Use this feature to enable the APIC physical destination mode. The options are **Disabled** and Enabled. (APIC is the abbreviation for Extended Advanced Programmable Interrupt Controller.)

TXT Support

Select Enabled to enable Intel Trusted Execution Technology (TXT) support to enhance system integrity and data security. The options are **Disabled** and Enabled. This feature is CPU-dependent.

Note: If this feature is set to Enabled, be sure to disable Device Function On-Hide (EV DFX) support when it is present in the BIOS for the system to work properly.

Intel Virtualization Technology

Select Enabled to enable the Intel Vanderpool Technology for Virtualization platform support, which allows multiple operating systems to run simultaneously on the same computer to maximize system resources for performance enhancement. The options are Disabled and **Enabled**. Changes take effect after you save settings and reboot the system.

Notes:

- This feature is NOT available when "TXT Support" is set to Enabled.
- This feature is NOT available when "Workload Profile" is set to Virtualization, Telco NFVI, Telco NFVI-FP, or Telco FlexRAN.

Enable SMX

Select Enabled to support Safer Mode Extensions (SMX), which provides a programming interface for system software to establish a controlled environment to support the trusted platform configured by the end user and to verify a virtual machine monitor before it is allowed to run. The options are **Disabled** and Enabled.

Note: This feature is available when "TXT Support" is set to Disabled.

PPIN Control

Select Unlock/Enabled to use the Protected Processor Inventory Number (PPIN) in the system. The PPIN is a unique number set for tracking a given Intel Xeon server processor. The options are Lock/Disabled and **Unlock/Enabled**.

AES-NI

Select Enabled to use the Intel Advanced Encryption Standard (AES) New Instructions (NI) to ensure data security. The options are Disabled and **Enabled**.

Advanced Power Management Configuration Menu

► Advanced Power Management Configuration

Latency Optimized Mode

Select Enabled to set the power mode to the latency optimized mode to improve the latency. The options are **Disabled** and Enabled. This feature is motherboard-dependent.

Note: This feature is NOT available when "Workload Profile" is set to HPC or Virtualization.

Workload Profile

Use this feature to select a preconfigured workload profile, which is used to tune the resources in your system. The options are **Disabled**, HPC, I/O, Virtualization, Telco NFVI, Telco NFVI-FP, and Telco FlexRAN. Changes take effect after you save settings and reboot the system. (NFVI is the abbreviation for Network Functions Virtualization Infrastructure. NFVI-FP is the abbreviation for Network Functions Virtualization Infrastructure Forwarding Platform. RAN is the abbreviation for Radio Access Network.)

Note: Select HPC to optimize power performance of High Performance Computing (HPC) workloads for your system running in the HPC environment. Select I/O for I/O intensive workloads to optimize power performance of high volume of data transfers to and from system memory and storage devices or any program. Select Virtualization to optimize power performance of the workload for your system running in the virtualization environment. Select Telco NFVI to optimize power performance of NFVI workloads for your system. Select Telco NFVI-FP to optimize power performance of NFVI-FP workloads for your system. Select Telco FlexRAN to achieve optimal performance with low power consumption for Intel FlexRAN™ based implementations.

Power Performance Tuning

This feature allows either operating system (OS) or BIOS to control the EPB. The options are **OS Controls EPB** and BIOS Controls EPB. (PECI is the abbreviation for Platform Environment Control Interface. EPB is the abbreviation for Intel Performance and Energy Bias Hint.)

Note: This feature is available when "Workload Profile" is set to Disabled.

ENERGY_PERF_BIAS_CFG Mode (ENERGY PERFORMANCE BIAS CONFIGURATION Mode)

Use this feature to configure the proper operation setting for your machine by achieving the desired system performance level and energy saving (efficiency) level at the same time. Select Maximum Performance to maximize system performance to its highest potential; however, this may consume maximal amount of power as energy is needed to fuel processor operation.

Select Performance to enhance system performance; however, this may consume more power as energy is needed to fuel the processors for operation. The options are Extreme Performance, Maximum Performance, Performance, **Balanced Performance**, Balanced Power, Power, and Max Power Efficient. Please note that the options of Extreme Performance and Max Power Efficient are motherboard-dependent.

Notes:

- This feature is available when "Power Performance Tuning" is set to BIOS Controls EPB.
- This feature is available when "Workload Profile" is set to Disabled.

CPU P State Control Menu

► CPU P State Control

Note: This submenu is available when "Power Performance Tuning" is set to BIOS Controls EPB.

Intel SST-PP

Use this feature to choose from two additional Base-Frequency conditions maximum for CPU P State Control. The options are **Auto**, Level 0, Level 1, Level 2, Level 3, and Level 4. The options regarding SST-PP levels are CPU-dependent. (SST-PP is the abbreviation for Speed Select Technology-Performance Profile.)

Notes:

- This feature is available when "SpeedStep (P-States)" is set to Enabled and when the number of SST-PP levels supported by your CPU is no less than two.
- This feature is NOT available when "Workload Profile" is set to Telco NFVI, Telco NFVI-FP, or Telco FlexRAN.

When "SpeedStep (P-States)" is set to Enabled, the information about SST-PP levels supported by your CPU is displayed.

- SST-PP Level
- Capable
- Core Count
- P1 Ratio

- Package TDP (W)
- DTS_Max

SpeedStep (P-States)

Enhanced Intel SpeedStep Technology (EIST) allows the system to automatically adjust processor voltage and core frequency in an effort to reduce power consumption and heat dissipation. Please refer to Intel's website for detailed information. The options are Disabled and **Enabled**.

Note: This feature is available when "Workload Profile" is set to Disabled.

EIST PSD Function

This feature reduces the latency that occurs when one P-state changes to another, thus allowing the transitions to occur more frequently. This will allow for more demand-based P-state switching to occur based on the real-time energy needs of applications so that the power-to-performance balance can be optimized for energy efficiency. The options are **HW_ALL** and **SW_ALL**.

Notes:

- This feature is available when "SpeedStep (P-States)" is set to Enabled.
- This feature is NOT available when "Workload Profile" is set to Telco NFVI, Telco NFVI-FP, or Telco FlexRAN.

Turbo Mode (Available when "SpeedStep (P-States)" is set to Enabled and when "Workload Profile" is set to Disabled)

Select Enabled to allow the CPU to operate at the manufacturer-defined turbo speed by increasing CPU clock frequency. This feature is available when it is supported by the processors used in the system. The options are Disabled and **Enabled**.

Hardware PM State Control Menu

► Hardware PM State Control

Notes:

- This submenu is available when "Power Performance Tuning" is set to BIOS Controls EPB.
- This submenu is NOT available when "Workload Profile" is set to HPC, Virtualization, Telco NFVI, Telco NFVI-FP, or Telco FlexRAN.

Hardware P-States

If this feature is set to Disabled, system hardware will choose a P-state setting for the system based on an OS request. If this feature is set to Native Mode, system hardware will choose a P-state setting based on the OS guidance. If this feature is set to Native Mode with No Legacy Support, system hardware will choose a P-state setting independently without the OS guidance. The options are Disabled, **Native Mode**, Out of Band Mode, and Native Mode with No Legacy Support.

CPU C State Control Menu

► **CPU C State Control**

Notes:

- This submenu is available when "Power Performance Tuning" is set to BIOS Controls EPB.
- This submenu is NOT available when "Workload Profile" is set to Telco NFVI, Telco NFVI-FP, or Telco FlexRAN.

Monitor MWAIT

Select Enabled to support Monitor and Mwait, which are two instructions in Streaming SIMD Extension 3 (SSE3) to improve synchronization between multiple threads for CPU performance enhancement. The options are Disabled and **Enabled**.

Note: This feature is NOT available when "Workload Profile" is set to Telco NFVI, Telco NFVI-FP, or Telco FlexRAN.

ACPI C1 Enumeration

Use this feature to select the ACPI C1 state or the ACPI C1e state. The options are C1 and **C1e**. This feature is CPU-dependent. (ACPI is the abbreviation for Advanced Configuration and Power Interface.)

Note: This feature is available when "Workload Profile" is set to Disabled.

ACPI C6x Enumeration

Use this feature to configure C6 state or C6 P-state as ACPI C2 or ACPI C3 state. The options are Disabled, C6 as ACPI C2, C6 as ACPI C3, C6-P as ACPI C2, C6-P as ACPI C3, and **Auto**.

Note: This feature is available when "Workload Profile" is set to Disabled.

Package C State Control Menu

► Package C State Control

Note: This submenu is available when “Power Performance Tuning” is set to BIOS Controls EPB.

Package C State

Use this feature to optimize and reduce CPU package power consumption in the idle mode. Please note that the changes you've made in this setting will affect all CPU cores or the circuits of the entire system. The options are C0/C1 state, C2 state, C6 (non Retention) state, No Limit, and **Auto**.

Note: This feature is NOT available when "Workload Profile" is set to I/O, Telco NFVI, Telco NFVI-FP, or Telco FlexRAN.

LTR IIO Input

Use this feature to set the MSR 1FCh Bit[29]. The options are Take IIO LTR input and **Ignore IIO LTR input**.

CPU1 Core Disable Bitmap Menu

► CPU1 Core Disable Bitmap

Available Bitmap:

This feature displays the available Bitmap[0].

Disable Bitmap:

Enter 0 to enable this feature for CPU Core Bitmap[0]. Enter FFFFFFFFFF to disable CPU Core Bitmap[0]. Please note that the maximum CPU cores are available in each CPU package and at least one core per CPU must be enabled. Disabling all cores is not allowed. The default setting is **0**.

Chipset Configuration Menu

► Chipset Configuration

Important: Setting the wrong values in this section may cause the system to malfunction.

Uncore Configuration Menu

► Uncore Configuration

The following information is displayed.

- Number of CPU
- Current UPI Link Speed
- Current UPI Link Frequency
- Global MMIO Low Base / Limit
- Global MMIO High Base / Limit
- PCIe Configuration Base / Size

Degrade Precedence

Use this feature to select the degrading precedence option for Ultra Path Interconnect (UPI) connections. Select Topology Precedence to degrade UPI features if system options are in conflict. Select Feature Precedence to degrade UPI topology if system options are in conflict. The options are **Topology Precedence** and Feature Precedence.

Link L0p Enable

Select Enabled for the system BIOS to enable Link L0p support, which allows the CPU to reduce the UPI links from full width to half width in the event when the CPU's workload is low in an attempt to save power. This feature is available for the system that uses Intel processors with UPI technology support. The options are **Disabled**, Enabled, and Auto.

Note: You can change the performance settings for non-standard applications by using this parameter. It is recommended that the default settings be used for standard applications.

Link L1 Enable

Select Enabled for the BIOS to activate Link L1 support, which will power down the UPI links to save power when the system is idle. This feature is available for the system that uses Intel processors with UPI technology support. The options are **Disabled**, Enabled, and Auto.

Note: Link L1 is an excellent feature for an idle system. L1 is used during Package C-States when its latency is hidden by other components during a wakeup.

KTI Prefetch

Keizer Technology Interconnect (KTI) is also known as the Intel Ultra Path Interconnect (UPI) technology. Select Enabled for the KTI prefetcher to preload the L1 cache with data deemed relevant, which allows the memory read to start earlier on a DDR bus in an effort to reduce

latency. Select Auto for the KTI prefetcher to automatically preload the L1 cache with relevant data whenever it is needed. The options are Disabled, Enabled, and **Auto**.

IO Directory Cache (IODC)

This feature allows the IODC to generate snoops instead of generating memory lockups for remote IIO (InvlToM) and/or WCiLF (Cores). Select Auto for the IODC to generate snoops (instead of memory lockups) for WCiLF (Cores). The options are Disabled, **Auto**, Enable for Remote InvltoM Hybrid Push, Enable for Remote InvltoM AllocFlow, Enable for Remote InvltoM Hybrid AllocNonAlloc, and Enable for Remote InvltoM and Remote WCiLF.

SNC

Sub NUMA Clustering (SNC) is a feature that breaks up the Last Level Cache (LLC) into clusters based on address range. Each cluster is connected to a subset of the memory controller. Enable this feature to improve average latency and reduce memory access congestion for higher performance. The options are Disabled, Enabled, and **Auto**. This feature is CPU-dependent.

Note: This feature is NOT available when "Workload Profile" is set to I/O, Virtualization, or Telco FlexRAN.

XPT Prefetch

XPT Prefetch is a feature that speculatively makes a copy to the memory controller of a read request being sent to the LLC. If the read request maps to the local memory address and the recent memory reads are likely to miss the LLC, a speculative read is sent to the local memory controller. The options are Disabled, Enabled, and **Auto**.

Stale AtoS

The in-memory directory has three states: I, A, and S states. The I (-invalid) state indicates that the data is clean and does not exist in the cache of any other sockets. The A (-snoop All) state indicates that the data may exist in another socket in an exclusive or modified state. The S state (-Shared) indicates that the data is clean and may be shared in the caches across one or more sockets. When the system is performing "read" on the memory and if the directory line is in A state, we must snoop all other sockets because another socket may have the line in a modified state. If this is the case, a "snoop" will return the modified data. However, it may be the case that a line "reads" in an A state, and all the snoops come back with a "miss." This can happen if another socket reads the line earlier and then has silently dropped it from its cache without modifying it. If "Stale AtoS" is enabled, a line will transition to the S state when the line in the A state returns only snoop misses. That way, subsequent reads to the line will encounter it in the S state and will not have to snoop, saving the latency and snoop bandwidth. Stale "AtoS" may be beneficial in a workload where there are many cross-socket reads. The options are Disabled, Enabled, and **Auto**.

LLC Dead Line Alloc

Select Enabled to optimally fill the dead lines in the LLC. The options are Disabled, **Enabled**, and Auto.

Memory Configuration Menu

► Memory Configuration

This submenu is used to configure the Integrated Memory Controller (IMC) settings.

Enforce DDR Memory Frequency POR

Select Enforce POR to enforce Plan of Record (POR) restrictions for DDR memory frequency and voltage programming. The options are **Enforce POR**, Enforce Stretch Goals, and Disabled.

Host Memory Frequency

Use this feature to set the maximum memory frequency for onboard memory modules. The options are **Auto**, 4800, 5200, 5600, 6000, 6400, and 7200. Please note that the available options are CPU-dependent.

Global Scrambling

Select Enabled to enable data scrambling to enhance system performance and data integrity. The options are Disabled and **Enabled**.

Memory Topology Menu

► Memory Topology

This submenu displays the information of onboard memory modules as detected by the BIOS, for example:

P1-DIMMA1: 5600MT/s Hynix SRx8 16GB RDIMM

Memory Map Menu

► Memory Map

Intel(R) Flat Memory Mode Support

Enable this feature to allow hardware-managed data movement between DDR5 and CXL memory, making total memory capacity visible to your system. The options are **Disabled** and Enabled.

DDR CXL Heterogeneous Interleave Support

Select Enabled to support heterogeneous interleaving for physical DDR5 and CXL memory. The options are **Disabled** and Enabled.

Memory RAS Configuration Menu

► **Memory RAS Configuration**

Use this submenu to configure the memory mirroring, Reliability Availability Serviceability (RAS) settings.

Mirror Mode

Use this feature to configure the mirror mode settings for all 1LM/2LM memory modules in the system, which will create a duplicate copy of data stored in the memory to increase memory security, but it will reduce the memory capacity into half. The options are **Disabled** and Full Mirror Mode.

Note: This feature is available when "UEFI ARM Mirror" is set to Disabled.

Correctable Error Threshold

Use this feature to specify the threshold value for correctable memory-error logging, which sets a limit on the maximum number of events that can be logged in the memory error log at a given time. The default setting is **512**.

Note: This feature is available when "Memory PFA Support" is set to Disabled.

Leaky Bucket Low Bit

Use this feature to set the Low Bit value for the Leaky Bucket algorithm, which is used to check the data transmissions between CPU sockets and the memory controller. The default setting is **12**.

Leaky Bucket High Bit

Use this feature to set the High Bit value for the Leaky Bucket algorithm, which is used to check the data transmissions between CPU sockets and the memory controller. The default setting is **13**.

ADDDC Sparing (Available when populating 1Rx4, 2Rx4, and 4Rx4 DIMMs and when "Memory PFA Support" is set to Disabled)

Select Enabled for Adaptive Double Device Data Correction (ADDDC) support, which will not only provide memory error checking and correction but will also prevent the system from issuing a performance penalty before a device fails. Please note that virtual lockstep mode will only start to work for ADDDC after a faulty DRAM module is spared. The options are Disabled and **Enabled**.

DDR PPR Type

Post Package Repair (PPR) is a new feature available for the DDR4/DDR5 technology. PPR provides additional spare capacity within a DDR4/DDR5 DRAM module that is used to replace faulty cell areas detected during system boot. PPR offers two types of memory repairs. Soft Post Package Repair (sPPR) provides a quick, temporary fix on a raw element in a bank group of a DDR4/DDR5 DRAM device, while hard Post Package Repair (hPPR) will take a longer time to provide a permanent repair on a raw element. The options are PPR Disabled, **Hard PPR**, and Soft PPR.

Note: This feature is available when "Memory PFA Support" is set to Disabled.

Enhanced PPR

Use this feature to set advanced memory test. Select Enabled to always execute for every boot. The options are **Disabled**, Enabled, and Persistent.

Memory PFA Support (Available when the DCMS key is activated)

Select Enabled to enable memory Predictive Failure Analysis (PFA) support. PFA can be used to avoid uncorrectable faults on the same memory page. The options are **Disabled** and Enabled.

Security Configuration Menu

► Security Configuration

Memory Encryption (TME) [Outputs]

The following information is displayed.

- MSE activation state
- MK-TME activation state
- CI activation state
- Cryptographic Algorithm configured

Memory Encryption (TME) [Inputs]

Memory Encryption (TME)

Select Enabled for Intel Total Memory Encryption (TME) support to enhance memory data security. The options are **Disabled** and Enabled.

Total Memory Encryption Multi-Tenant (TME-MT)

Use this feature to support tenant-provided (SW-provided) keys. The options are **Disabled** and Enabled.

Memory Integrity

Use this feature to enable TME-MT memory integrity protection for memory transactions. The options are **Disabled** and Enabled.

The following information is displayed.

- KEY stock amount
- TME-MT key ID bits

TME Encryption Algorithm

Use this feature to set the TME encryption algorithm. The options are AES-XTS-128 and **AES-XTS-256**.

Trust Domain Extensions (TDX) [Outputs]

The following information is displayed.

- TDX activation state

Trust Domain Extensions (TDX) [Inputs]

Trust Domain Extensions (TDX) (Available when your motherboard supports Intel TDX)

Use this feature to enable Intel Trust Domain Extensions (TDX) technology support to enhance control of data security. The options are **Disabled** and Enabled.

Note: To support TDX features, DIMM population must be symmetric across integrated Memory Controllers (IMCs) and eight DIMMs per socket at least. For each memory controller, populating the first slots (Px-DIMMX1 or DIMMX1 depending on the motherboard design) in all channels is required.

TDX Memory Population for Intel Xeon 6700-Series Processors with E-Cores																	
IMC#	IMC4				IMC3				CPU	IMC1				IMC2			
Channel	DIMMH		DIMMG		DIMMF		DIMME			DIMMA		DIMMB		DIMMC		DIMMD	
	Slot1	Slot2	Slot1	Slot2	Slot1	Slot2	Slot1	Slot2		Slot2	Slot1	Slot2	Slot1	Slot2	Slot1	Slot2	
8	DDR5		DDR5		DDR5		DDR5			DDR5		DDR5		DDR5		DDR5	
16	DDR5	DDR5	DDR5	DDR5	DDR5	DDR5	DDR5	DDR5	DDR5	DDR5	DDR5	DDR5	DDR5	DDR5	DDR5	DDR5	

TDX Memory Population for Intel Xeon 6700/6500-Series Processors with P-Cores																	
IMC#	IMC4				IMC3				CPU	IMC1				IMC2			
Channel	DIMMH		DIMMG		DIMMF		DIMME			DIMMA		DIMMB		DIMMC		DIMMD	
	Slot1	Slot2	Slot1	Slot2	Slot1	Slot2	Slot1	Slot2		Slot2	Slot1	Slot2	Slot1	Slot2	Slot1	Slot2	
8	DDR5		DDR5		DDR5		DDR5			DDR5		DDR5		DDR5		DDR5	
12	DDR5		DDR5	DDR5	DDR5		DDR5	DDR5	DDR5	DDR5		DDR5	DDR5		DDR5		
16	DDR5	DDR5	DDR5	DDR5	DDR5	DDR5	DDR5	DDR5	DDR5	DDR5	DDR5	DDR5	DDR5	DDR5	DDR5	DDR5	

TDX Secure Arbitration Mode Loader (SEAM Loader) (Available when your motherboard supports Intel TDX and when "Trust Domain Extensions (TDX)" is set to Enabled)

The SEAM Loader (SEAMLDR) is used to load and update Intel TDX modules into the SEAM memory range by verifying the digital signature. The options are **Disabled** and **Enabled**.

TME-MT/TDX Key Split (Available when "Trust Domain Extensions (TDX)" is set to Enabled)

Use this feature to set the number of bits for TDX. The other bits will be used by TME-MT. The default setting is **1**.

The following information is displayed when "Trust Domain Extensions (TDX)" is set to Enabled.

- TME-MT Keys:
- TDX Keys:

 Processor Reserved Memory [Capabilities]

 The following information is displayed.

- PRMRR Min Size per domain
- PRMRR Max Size per domain

Processor Reserved Memory [Outputs]

The following information is displayed.

- PRMRR Size per domain
- PRM Size per socket
- PRM Size per system

Software Guard Extensions (SGX) [Outputs]

The following information is displayed when your motherboard supports SGX.

- SGX activation state
- SGX error code [HEX]

Software Guard Extensions (SGX) [Inputs]

The following features are available when your motherboard supports SGX.

Note: To support SGX features, DIMM population must be symmetric across Integrated Memory Controllers (IMCs) and eight DIMMs per socket at least. For each memory controller, populating the first slots (Px-DIMMX1 or DIMMX1 depending on the motherboard design) in all channels is required.

SGX Memory Population for Intel Xeon 6700-Series Processors with E-Cores																	
IMC#	IMC4				IMC3				CPU	IMC1				IMC2			
Channel	DIMMH		DIMMG		DIMMF		DIMME			DIMMA		DIMMB		DIMMC		DIMMD	
	Slot1	Slot2	Slot1	Slot2	Slot1	Slot2	Slot1	Slot2		Slot2	Slot1	Slot2	Slot1	Slot2	Slot1	Slot2	Slot1
8	DDR5		DDR5		DDR5		DDR5			DDR5		DDR5		DDR5		DDR5	
16	DDR5	DDR5	DDR5	DDR5	DDR5	DDR5	DDR5	DDR5		DDR5	DDR5	DDR5	DDR5	DDR5	DDR5	DDR5	

SGX Memory Population for Intel Xeon 6700/6500-Series Processors with P-Cores																	
IMC#	IMC4				IMC3				CPU	IMC1				IMC2			
Channel	DIMMH		DIMMG		DIMMF		DIMME			DIMMA		DIMMB		DIMMC		DIMMD	
	Slot1	Slot2	Slot1	Slot2	Slot1	Slot2	Slot1	Slot2		Slot2	Slot1	Slot2	Slot1	Slot2	Slot1	Slot2	
8	DDR5		DDR5		DDR5		DDR5				DDR5		DDR5		DDR5		DDR5
12	DDR5		DDR5	DDR5	DDR5		DDR5	DDR5	DDR5	DDR5		DDR5	DDR5		DDR5	DDR5	
16	DDR5	DDR5	DDR5	DDR5	DDR5	DDR5	DDR5	DDR5	DDR5	DDR5	DDR5	DDR5	DDR5	DDR5	DDR5	DDR5	

SGX Factory Reset

Use this feature to perform an SGX factory reset to delete all registration data and force an Initial Platform Establishment flow. Reboot the system for the changes to take effect. The options are **Disabled** and Enabled.

SW Guard Extensions (SGX)

Use this feature to enable Intel Software Guard Extensions (SGX) support. Intel SGX is a set of extensions that increases the security of application code and data by using enclaves in memory to protect sensitive information. The options are **Disabled** and Enabled.

SGX Package Info In-Band Access

Setting this feature to Enabled is required before the BIOS provides software with the key blobs, which are generated for each CPU package. The options are **Disabled** and Enabled.

SGX PRMRR Size Requested (Available when "SW Guard Extensions (SGX)" is set to Enabled)

Use this feature to set the Processor Reserved Memory Range Register (PRMRR) size. The options are **Auto**, 128M, 256M, 512M, 1G, 2G, 4G, 8G, 16G, 32G, 64G, 128G, 256G, and 512G. Please note that the available options are based on your motherboard features, memory size, and memory map.

Select Owner EPOCH Input Type (Available when "SW Guard Extensions (SGX)" is set to Enabled)

Owner EPOCH is used as a parameter to add personal entropy into the key derivation process. A correct Owner EPOCH is required to have access to personal data previously sealed by other platform users. There are two Owner EPOCH modes. One is New Random Owner EPOCH, and the other is manually entered by the user. Each EPOCH is 64-bit. The options are **SGX Owner EPOCH deactivated**, Change to New Random Owner EPOCHs, and Manual User Defined Owner EPOCHs.

Note: Changing the Owner EPOCH value will lose the data in enclaves.

Software Guard Extensions Epoch 0

Use this feature to enter the EPOCH value. The default setting is **0**.

Note: This feature is available when "SW Guard Extensions (SGX)" is set to Enabled. This feature is NOT available when "Select Owner EPOCH Input Type" is set to SGX Owner EPOCH deactivated.

Software Guard Extensions Epoch 1

Use this feature to enter the EPOCH value. The default setting is **0**.

Note: This feature is available when "SW Guard Extensions (SGX)" is set to Enabled. This feature is NOT available when "Select Owner EPOCH Input Type" is set to SGX Owner EPOCH deactivated.

SGXLEPUBKEYHASHx Write Enable (Available when "SW Guard Extensions (SGX)" is set to Enabled)

Use this feature to enable writes to SGXLEPUBKEYHASH[3..0] from OS/SW. The options are Disabled and **Enabled**. Only those CPUs that support Intel SGX Flexible Launch Control (FLC) feature have SGXLEPUBKEYHASH, which contains the hash of the public key for the SGX Launch Enclave (LE) to be signed with.

SGXLEPUBKEYHASH0 (Available when both "SW Guard Extensions (SGX)" and "SGXLEPUBKEYHASHx Write Enable" are set to Enabled)

Use this feature to enter the bytes 0–7 of SGX Launch Enclave Public Key Hash.

SGXLEPUBKEYHASH1 (Available when both "SW Guard Extensions (SGX)" and "SGXLEPUBKEYHASHx Write Enable" are set to Enabled)

Use this feature to enter the bytes 8–15 of SGX Launch Enclave Public Key Hash.

SGXLEPUBKEYHASH2 (Available when both "SW Guard Extensions (SGX)" and "SGXLEPUBKEYHASHx Write Enable" are set to Enabled)

Use this feature to enter the bytes 16–23 of SGX Launch Enclave Public Key Hash.

SGXLEPUBKEYHASH3 (Available when both "SW Guard Extensions (SGX)" and "SGXLEPUBKEYHASHx Write Enable" are set to Enabled)

Use this feature to enter the bytes 24–31 of SGX Launch Enclave Public Key Hash.

I/O Configuration Menu

► I/O Configuration

PCIe Completion Timeout

Use this feature to set the PCIe completion timeout. The options are 50us to 50ms, 50us to 100us, 1ms to 10ms, 16ms to 55ms, 65ms to 210ms, **260ms to 900ms**, 1s to 3.5s, and Disabled.

PCIe ASPM Support (Global)

Use this feature to disable the Active State Power Management (ASPM) support for all PCIe root ports. The options are **Disabled** and Auto.

Equalization Bypass To Highest Rate

Set this feature to Enabled to reduce the link training time for PCIe 5.0 device by skipping equalization of intermediate data rates. The options are Disabled and **Enabled**.

NVMe Mode Switch

When this feature is set to Auto, VMD support will be automatically enabled when a VROC key is detected by the BIOS. The options are Manual, VMD, and **Auto**.

PCIe PLL SSC

Select Enabled for PCIe Spread Spectrum Clocking (SSC) support, which allows the BIOS to monitor and attempt to reduce the level of electromagnetic interference caused by the components whenever needed. The options are **Disabled** and Enabled.

CPU1 Configuration Menu

► CPU1 Configuration

► **PCI Express 0 / PCI Express 1 / PCI Express 2 / PCI Express 3 / PCI Express 4 / PCI Express 5**

Note: The number of PCIe slots and the slot naming can differ depending on the PCIe devices connected to your motherboard.

Intel VMD Technology

When this feature is set to Enabled, VMD support will be automatically enabled when a VROC key is detected by the BIOS. The options are **Disabled** and Enabled.

Notes:

- This feature is available when "NVMe Mode Switch" is set to Manual.
- After you've enabled VMD in the BIOS on a PCIe slot, this PCIe slot will be dedicated for VMD use only, and it will no longer support any PCIe device. To reactivate this slot for PCIe use, disable VMD in the BIO.

Bifurcation

This feature is CPU-dependent. Use this feature to configure the PCIe Bifurcation setting for the PCIe port you specified. The options are **Auto**, x4x4x4x4, x4x4x8, x8x4x4, x8x8, and x16.

► PCI Express 5 Port A/Port C/Port E/Port G

Note: The number of PCIe slots and the slot naming can differ depending on the PCIe devices connected to your motherboard.

Requested Link Speed

Use this feature to configure the link speed for the PCIe port you specified. The options are **Auto**, Gen 1 (2.5 GT/s), Gen 2 (5 GT/s), Gen 3 (8 GT/s), Gen 4 (16 GT/s), and Gen 5 (32 GT/s).

The following information is displayed.

- Max Link Width
- Current Link Width
- Current Link Speed

Data Link Feature Exchange

Use this feature to enable data link feature negotiation in the Data Link Feature Capabilities (DLFCAP) register. The options are Disabled and **Enabled**.

PCIe Port Max Payload Size

Use this feature to configure the maximum payload size supported in Direct Media Interface (DMI) device capabilities register for the device installed in the PCIe port. The options are 128B, 256B, 512B, and **Auto**.

MCTP

Enable this feature, Management Component Transport Protocol (MCTP), to support communications between devices in a platform management subsystem. MCTP's underlying device buses include SMBus/I²C, serial links, PCIe, and USB. The options are

Disabled and **Enabled**.

Equalization Bypass To Highest Rate

Set this feature to Enabled to reduce the link training time for PCIe 5.0 device by skipping equalization of intermediate data rates. The options are Disabled and **Enabled**.

Intel VMD Technology

When this feature is set to Enabled, VMD support will be automatically enabled when a VROC key is detected by the BIOS. The options are **Disabled** and Enabled.

Intel VT for Directed I/O (VT-d) Menu

► Intel VT for Directed I/O (VT-d)

Note: This submenu is NOT available when "Workload Profile" is set to Virtualization.

Pre-boot DMA Protection

Select Enabled to establish DMA protection during pre-boot processing by setting DMA_CTRL_PLATFORM_OPT_IN_FLAG in the DMAR ACPI table. The options are **Enabled** and Disabled. (DMA is the abbreviation for Direct Memory Access. DMAR is the abbreviation for DMA Remapping Reporting.)

PCIe ACSCTL

Select Enabled to program ACS control to Chipset PCIe Root Port bridges. Select Disabled to program ACS control to all PCIe Root Port bridges. The options are Enabled and **Disabled**.

PCIe Leaky Bucket Configuration Menu

► PCIe Leaky Bucket Configuration

Gen2 Link Degradation

Use this feature to enable PCIe Gen2 link degradation. The options are Disabled and **Enabled**.

Note: The default setting is Enabled when your motherboard supports PCIe Gen2 link. Otherwise, the default setting is Disabled.

Gen3 Link Degradation

Use this feature to enable PCIe Gen3 link degradation. The options are Disabled and **Enabled**.

Note: The default setting is Enabled when your motherboard supports PCIe Gen3 link. Otherwise, the default setting is Disabled.

Gen4 Link Degradation

Use this feature to enable PCIe Gen4 link degradation. The options are Disabled and **Enabled**.

Note: The default setting is Enabled when your motherboard supports PCIe Gen4 link. Otherwise, the default setting is Disabled.

Gen5 Link Degradation

Use this feature to enable PCIe Gen5 link degradation. The options are Disabled and **Enabled**.

Note: The default setting is Enabled when your motherboard supports PCIe Gen5 link. Otherwise, the default setting is Disabled.

Trusted Computing Menu

▶ Trusted Computing

When the TPM 2.0 (either onboard or external) is detected by your system, the following information is displayed.

- TPM 2.0 Device Found
- Firmware Version:
- Vendor:

Note: This submenu is available when the TPM 2.0 (either onboard or external) is detected by the BIOS.

Security Device Support

Select Enabled to enable BIOS support for onboard security devices, which are not displayed in the OS. If this feature is set to Enabled, TCG EFI protocol and INT1A interface will not be available. The options are Disabled and **Enabled**.

When "Security Device Support" is set to Enabled and the TPM 2.0 (either onboard or external) is detected by the BIOS, the following information is displayed.

- Active PCR banks
- Available PCR banks

Note: The following features are available when the TPM 2.0 (either onboard or external) is detected by the BIOS.

SHA256 PCR Bank (Available when "Security Device Support" is set to Enabled)

Select Enabled to enable SHA256 PCR Bank support to enhance system integrity and data security. The options are Disabled and **Enabled**.

SHA384 PCR Bank (Available when "Security Device Support" is set to Enabled)

Select Enabled to enable SHA384 PCR Bank support to enhance system integrity and data security. The options are **Disabled** and Enabled.

Pending Operation (Available when "Security Device Support" is set to Enabled)

Use this feature to schedule a TPM-related operation to be performed by the security TPM (either onboard or external) at the next system boot to enhance system data integrity. The options are **None** and TPM Clear.

Note: If this feature is used, your system will reboot to carry out a pending TPM operation.

Platform Hierarchy (Available when "Security Device Support" is set to Enabled)

Select Enabled for TPM Platform Hierarchy support, which allows the manufacturer to utilize the cryptographic algorithm to define a constant key or a fixed set of keys to be used for initial system boot. These early boot codes are shipped with the platform and are included in the list of "public keys." During system boot, the platform firmware uses the trusted public keys to verify a digital signature in an attempt to manage and control the security of the platform firmware used in a host system via the TPM (either onboard or external). The options are Disabled and **Enabled**.

Storage Hierarchy (Available when "Security Device Support" is set to Enabled)

Select Enabled for TPM Storage Hierarchy support that is intended to be used for non-privacy-sensitive operations by a platform owner such as an IT professional or the end user. Storage Hierarchy has an owner policy and an authorization value, both of which can be set and are held constant (-rarely changed) through reboots. This hierarchy can be cleared or changed independently of the other hierarchies. The options are Disabled and **Enabled**.

Endorsement Hierarchy (Available when "Security Device Support" is set to Enabled)

Select Enabled for Endorsement Hierarchy support, which contains separate controls to address the user's privacy concerns because the primary keys in the hierarchy are certified by the TPM key or by a manufacturer with restrictions on how an authentic TPM (either onboard or external) that is attached to an authentic platform can be accessed and used. A primary key can be encrypted and certified with a certificate created by using TPM2_ActivateCredential, which allows the user to independently enable "flag, policy, and authorization values" without involving other hierarchies. A user with privacy concerns can disable the endorsement hierarchy while still using the storage hierarchy for TPM applications, permitting the platform software to use the TPM. The options are Disabled and **Enabled**.

PH Randomization

Select Enabled for Platform Hierarchy (PH) Randomization support, which is used only during the platform developmental stage. This feature cannot be enabled in the production platforms. The options are **Disabled** and Enabled.

Supermicro BIOS-Based TPM Provision Support

Set this feature to Enabled to unlock the TPM. Save settings and exit the BIOS Setup utility. The Non-volatile (NV) indexes can be deleted after the system reboot. The options are **Disabled** and Enabled.

ACPI Settings Menu

► ACPI Settings

Virtual NUMA

Enable this feature to optimize the memory-access performance for VMware virtual machines. The options are **Disabled** and Enabled.

Note: This feature is NOT available when "Workload Profile" is set to Telco NFVI, Telco NFVI-FP, or Telco FlexRAN.

Number of Virtual NUMA Nodes (Available when "Virtual NUMA" is set to Enabled)

This feature displays the number of virtual NUMA nodes. A NUMA architecture divides hardware resources (including processors, memory, and I/O buses) into groups, called NUMA nodes. This feature indicates the available number of virtual NUMA nodes that can be assigned to the virtual machine. By default, this setting is automatically adjusted to match the physical NUMA topology.

WHEA Support

Select Enabled to support the Windows Hardware Error Architecture (WHEA) platform and provide a common infrastructure for the system to handle hardware errors within the Windows OS environment to reduce system crashes and to enhance system recovery and health monitoring. The options are Disabled and **Enabled**.

Super IO Configuration Menu

► Super IO Configuration

The following information is displayed.

- Super IO Chip

Note: This submenu is available when your system supports this feature.

Serial Port 1 Configuration Menu

► Serial Port 1 Configuration

Serial Port 1

Select Enabled to enable serial port 1. The options are Disabled and **Enabled**.

Device Settings (Available when "Serial Port 1" above is set to Enabled)

This feature displays the base I/O port address and the Interrupt Request address of serial port 1.

Change Settings (Available when "Serial Port 1" above is set to Enabled)

Use this feature to specify the base I/O port address and the Interrupt Request address of serial port 1. Select Auto for the BIOS to automatically assign the base I/O and IRQ address to serial port 1. The options are **Auto**, (IO=3F8h; IRQ=4;), (IO=3F8h; IRQ=3,4,5,6,7,9,10,11,12;), (IO=2F8h; IRQ=3,4,5,6,7,9,10,11,12;), (IO=3E8h; IRQ=3,4,5,6,7,9,10,11,12;), and (IO=2E8h; IRQ=3,4,5,6,7,9,10,11,12;).

Serial Port 2 Configuration Menu

► Serial Port 2 Configuration

Note: It can be "Serial Port 2 Configuration" or "SOL Configuration" based on your system support.

Serial Port 2/SOL ("Serial Port 2" or "SOL" based on your system support)

Select Enabled to enable serial port 2 (or SOL). The options are Disabled and **Enabled**.

Device Settings (Available when "Serial Port 2/SOL" above is set to Enabled)

This feature displays the base I/O port address and the Interrupt Request address of serial port 2 (or SOL).

Change Settings (Available when "Serial Port 2/SOL" above is set to Enabled)

Use this feature to specify the base I/O port address and the Interrupt Request address of serial port 2 (or SOL). Select Auto for the BIOS to automatically assign the base I/O and IRQ address to serial port 2 (or SOL). The options are **Auto**, (IO=2F8h; IRQ=3;), (IO=3F8h; IRQ=3,4,5,6,7,9,10,11,12;), (IO=2F8h; IRQ=3,4,5,6,7,9,10,11,12;), (IO=3E8h; IRQ=3,4,5,6,7,9,10,11,12;), and (IO=2E8h; IRQ=3,4,5,6,7,9,10,11,12;).

Serial Port 2 Attribute (Available for Serial Port 2 only)

Select SOL to use serial port 2 as a Serial Over LAN (SOL) port for console redirection. The options are **SOL** and **COM**.

Serial Port Console Redirection Menu**► Serial Port Console Redirection****COM1 (Available when your system supports the serial port of COM1)****Console Redirection**

Select Enabled to enable COM port 1 for Console Redirection, which allows a client machine to be connected to a host machine at a remote site for networking. The options are **Disabled** and **Enabled**.

Note: This feature will be set to Enabled if there is no BMC support.

SOL/COM2

Note: This feature is available when your system supports serial port of SOL and/or COM2. The "SOL/COM2" here indicates a shared serial port, and SOL is used as the default.

Console Redirection

Select Enabled to use the SOL/COM2 port for Console Redirection. The options are **Disabled** and **Enabled**.

► Console Redirection Settings

Note: This submenu is available when "Console Redirection" for COM1 or SOL/COM2 is set to Enabled.

Terminal Type

Use this feature to select the target terminal emulation type for Console Redirection. Select VT100 to use the ASCII Character set. Select VT100+ to add color and function key support. Select ANSI to use the Extended ASCII Character Set. Select VT-UTF8 to use UTF8 encoding to map Unicode characters into one or more bytes. The options are VT100, **VT100+**, VT-UTF8, and ANSI.

Bits Per Second

Use this feature to set the transmission speed for a serial port used in Console Redirection. Make sure that the same speed is used in the host computer and the client computer. A lower transmission speed may be required for long and busy lines. The options are 9600, 19200, 38400, 57600, and **115200** (bits per second).

Data Bits

Use this feature to set the data transmission size for Console Redirection. The options are 7 and **8** (bits).

Parity

A parity bit can be sent along with regular data bits to detect data transmission errors. Select Even if the parity bit is set to 0 and the number of 1s in data bits is even. Select Odd if the parity bit is set to 0 and the number of 1s in data bits is odd. Select None if you do not want to send a parity bit with your data bits in transmission. Select Mark to add a mark as a parity bit to be sent along with the data bits. Select Space to add a space as a parity bit to be sent with your data bits. The options are **None**, Even, Odd, Mark, and Space.

Stop Bits

A stop bit indicates the end of a serial data packet. Select 1 (stop bit) for standard serial data communication. Select 2 (stop bits) if slower devices are used. The options are **1** and 2.

Flow Control

Use this feature to set the flow control for Console Redirection to prevent data loss caused by buffer overflow. Send a "Stop" signal to stop sending data when the receiving buffer is full. Send a "Start" signal to start sending data when the receiving buffer is empty. The options are **None** and Hardware RTS/CTS.

VT-UTF8 Combo Key Support

Select Enabled to enable VT-UTF8 Combination Key support for ANSI/VT100 terminals. The options are Disabled and **Enabled**.

Recorder Mode

Select Enabled to capture the data displayed on a terminal and send it as text messages to a remote server. The options are **Disabled** and Enabled.

Resolution 100x31

Select Enabled for extended-terminal resolution support. The options are Disabled and **Enabled**.

Putty KeyPad

Use this feature to select function key and keypad settings on Putty, which is a terminal emulator designed for the Windows OS. The options are **VT100**, LINUX, XTERMR6, SCO, ESCN, and VT400.

Serial Port for Out-of-Band Management/Windows Emergency Management Services (EMS)

Use the features below to configure Console Redirection settings to support Out-of-Band Serial Port management.

Console Redirection EMS

Select Enabled to use the SOL port for Console Redirection. The options are **Disabled** and Enabled.

► Console Redirection Settings

Note: This submenu is available when "Console Redirection EMS" is set to Enabled.

Out-of-Band Mgmt Port

The feature selects a serial port in a client server to be used by the Microsoft Windows Emergency Management Services (EMS) to communicate with a remote host server. The options are **COM1** and SOL/COM2. Please note that the option of SOL/COM2 indicates a shared serial port. SOL is available with BMC support.

Terminal Type EMS

Use this feature to select the target terminal emulation type for Console Redirection. Select VT100 to use the ASCII character set. Select VT100+ to add color and function key support. Select ANSI to use the extended ASCII character set. Select VT-UTF8 to use UTF8 encoding to map Unicode characters into one or more bytes. The options are VT100, VT100+, **VT-UTF8**, and ANSI.

Bits Per Second EMS

This feature sets the transmission speed for a serial port used in Console Redirection. Make sure that the same speed is used in the host computer and the client computer. A lower transmission speed may be required for long and busy lines. The options are 9600, 19200, 57600, and **115200** (bits per second).

Flow Control EMS

Use this feature to set the flow control for Console Redirection to prevent data loss caused by buffer overflow. Send a "Stop" signal to stop sending data when the receiving buffer is full. Send a "Start" signal to start sending data when the receiving buffer is empty. The options

are **None**, Hardware RTS/CTS, and Software Xon/Xoff.

The following information is displayed.

- **Data Bits EMS**
- **Parity EMS**
- **Stop Bits EMS**

Network Stack Configuration Menu

► Network Stack Configuration

Network Stack

Select Enabled to enable Preboot Execution Environment (PXE) or Unified Extensible Firmware Interface (UEFI) for network stack support. The options are Disabled and **Enabled**.

IPv4 PXE Support (Available when "Network Stack" is set to Enabled)

Select Enabled to enable IPv4 PXE boot support. If this feature is disabled, it will not create the IPv4 PXE boot option. The options are Disabled and **Enabled**.

IPv4 HTTP Support (Available when "Network Stack" is set to Enabled)

Select Enabled to enable IPv4 HTTP boot support. If this feature is disabled, it will not create the IPv4 HTTP boot option. The options are **Disabled** and Enabled.

IPv6 PXE Support (Available when "Network Stack" is set to Enabled)

Select Enabled to enable IPv6 PXE boot support. If this feature is disabled, it will not create the IPv6 PXE boot option. The options are Disabled and **Enabled**.

IPv6 HTTP Support (Available when "Network Stack" is set to Enabled)

Select Enabled to enable IPv6 HTTP boot support. If this feature is disabled, it will not create the IPv6 HTTP boot option. The options are **Disabled** and Enabled.

PXE Boot Wait Time (Available when "Network Stack" is set to Enabled)

Use this feature to set the wait time (in seconds) upon which the system BIOS will wait for you to press the <ESC> key to abort PXE boot instead of proceeding with PXE boot by connecting to a network server immediately. Press the <+> or <-> key on your keyboard to change the value. The default setting is **0**.

Media Detect Count (Available when "Network Stack" is set to Enabled)

Use this feature to set the wait time (in seconds) for the BIOS ROM to detect the presence of a LAN media either via the Internet connection or via a LAN port. Press the <+> or <-> key on your keyboard to change the value. The default setting is **1**.

MAC:(MAC address)-IPv4 Network Configuration Menu

▶ MAC:(MAC address)-IPv4 Network Configuration

Configured

Enable this feature to configure network addresses for DHCP, local IP address, local netmask, local gateway, and local DNS server. The options are **Disabled** and **Enabled**.

Enable DHCP (Available when "Configured" is set to Enabled)

Select **Enabled** to support Dynamic Host Configuration Protocol (DHCP), which allows the BIOS to search for a DHCP server attached to the network and request the next available IP address for this computer. The options are **Disabled** and **Enabled**.

Local IP Address (Available when "Configured" is set to Enabled and "Enable DHCP" is set to Disabled)

Use this feature to enter an IP address for the local machine.

Local NetMask (Available when "Configured" is set to Enabled and "Enable DHCP" is set to Disabled)

Use this feature to set the netmask for the local machine.

Local Gateway (Available when "Configured" is set to Enabled and "Enable DHCP" is set to Disabled)

Use this feature to set the gateway address for the local machine.

Local DNS Servers (Available when "Configured" is set to Enabled and "Enable DHCP" is set to Disabled)

Use this feature to set the Domain Name System (DNS) server address for the local machine.

Save Changes and Exit

Press <Enter> to save changes and exit.

MAC:(MAC address)-IPv6 Network Configuration Menu

▶ MAC:(MAC address)-IPv6 Network Configuration

▶ Enter Configuration Menu

The following information is displayed.

- Interface Name
- Interface Type
- MAC address

- Host address
- Route Table
- Gateway addresses
- DNS addresses

Interface ID

Use this feature to change/enter the 64-bit alternative interface ID for the device. The string format is colon separated. The default setting is the MAC address above.

DAD Transmit Count

Use this feature to set the number of consecutive neighbor solicitation messages have been sent while performing duplicate address detection on a tentative address. The default setting is **1**.

Policy

Use this feature to select how the policy is to be configured. The options are **automatic** and manual.

► Advanced Configuration

Note: This submenu is available when "Policy" is set to manual.

New IPv6 address: Use this feature to enter the IPv6 address for the local machine.

New Gateway addresses: Use this feature to set the gateway address for the local machine.

New DNS addresses: Use this feature to set the DNS server address for the local machine.

Commit Changes and Exit: Press <Enter> to save changes and exit.

Discard Changes and Exit: Press <Enter> to discard changes and exit.

Save Changes and Exit

Press <Enter> to save changes and exit.

PCIe/PCI/PnP Configuration Menu

► PCIe/PCI/PnP Configuration

The following information is displayed.

- PCI Bus Driver Version

PCI Devices Common Settings:

Re-Size BAR Support

Use this feature to enable the Resizable BAR support. Resizable BAR is a PCIe interface technology that allows the CPU to access to the entire frame buffer. With this technology, your system will be able to handle multiple CPU to GPU transfers simultaneously rather than queuing, which can improve the frame rate performance. The options are **Disabled** and **Enabled**.

SR-IOV Support (Unavailable when "Workload Profile" is set to Virtualization)

Select **Enabled** for Single-Root IO Virtualization support. The options are **Disabled** and **Enabled**.

ARI Support

Select **Enabled** for Alternative Routing-ID Interpretation (ARI) support. The options are **Disabled** and **Enabled**.

MMCFG Base

This feature determines how the lowest Memory Mapped Configuration (MMCFG) base is assigned to onboard PCI devices. The options are 1G, 1.5G, 1.75G, 2G, 2.25G, 3G, and **Auto**. The options of 2G and 2.25G are not available when the MMCFG size is 2G. The option of 3G is not available when the MMCFG size is 1G or 2G.

MMCFG Size

Use this feature to set the MMCFG size. The options are 64M, 128M, 256M, 512M, 1G, 2G, and **Auto**. Please note that the MMCFG size is based on the memory populated.

MMIO High Base

Use this feature to select the base memory size according to memory-address mapping for the I/O hub. The options are 248T, 120T, 88T, 60T, 30T, 56T, 40T, 32T, 24T, 16T, 4T, 2T, 1T, 512G, 3584T, and **Auto**. The options of 248T, 120T, 88T, 60T, 30T, and 3584T are CPU-dependent.

MMIO High Granularity Size

Use this feature to select the high memory size according to memory-address mapping for the I/O hub. The options are 1G, 4G, 16G, 32G, 64G, 256G, and **1024G**. This feature is motherboard-dependent.

Bus Master Enable

If this feature is set to **Enabled**, the PCI Bus Driver will enable the Bus Master Attribute for DMA transactions. If this feature is set to **Disabled**, the PCI Bus Driver will disable the Bus Master Attribute for Pre-Boot DMA protection. The options are **Disabled** and **Enabled**.

NVMe Firmware Source

Use this feature to select the NVMe firmware to support system boot. The options are Vendor Defined Firmware and **AMI Native Support**. The option of Vendor Defined Firmware is pre-installed on the drive and may resolve errata or enable innovative functions for the drive. The default option, AMI Native Support, is offered by the BIOS with a generic method.

VGA Priority

Use this feature to select the graphics device to be used as the primary video display for system boot. The options are **Onboard** and Offboard.

Onboard Video Option ROM

Select EFI to boot the computer using the Extensible Firmware Interface (EFI) device installed on the onboard video port. The options are Disabled and **EFI**.

AOC-ATG-i2S LAN1 OPROM / Onboard SAS Option ROM / Onboard LAN1 Option ROM / Onboard NVMe1 Option ROM – Onboard NVMe24 Option ROM

Select EFI to boot the computer using the EFI device installed on the PCIe slot specified. The options are Disabled and **EFI**.

Note: The number of slots and slot naming vary based on your motherboard features.

HTTP Boot Configuration Menu

► HTTP Boot Configuration

HTTP Boot Policy

Use this feature to set the HTTP boot policy. The options are Apply to all LANs, **Apply to each LAN**, and Boot Priority #1 instantly.

HTTPS Boot Checks Hostname

Important: Disabling "HTTPS Boot Checks Hostname" is a violation of RFC 6125 and may expose you to Man-in-the-Middle Attacks. Supermicro is not responsible for any and all security risks incurred by you disabling this feature.

Enable this feature for HTTPS boot to check the hostname of the TLS certificates to see if it matches the host name provided by the remote server. The options are **Enabled** and Disabled (WARNING: Security Risk!!).

Priority of HTTP Boot

Instance of Priority 1: (Available when your motherboard supports this feature)

This feature sets the rank target port. The default setting is **1**.

Select IPv4 or IPv6

This feature specifies which connection the target LAN port should boot from. The options are **IPv4** and IPv6.

Boot Description

Use this feature to enter a boot description, which cannot be longer than 75 characters. Please be sure to enter a boot description; otherwise, the boot option for the URI cannot be created.

Boot URI

Enter a Boot Uniform Research Identifier (URI) with 128 characters or shorter. This Boot URI determines how IPv4 Boot Option and IPv6 Boot Option will be created.

Instance of Priority 2: (Available when your motherboard supports this feature)

This feature sets the rank target port. The default setting is **0**.

Select IPv4 or IPv6 (Unavailable when "Instance of Priority 2:" above is set to 0)

This feature specifies which connection the target LAN port should boot from. The options are **IPv4** and IPv6.

Boot Description (Unavailable when "Instance of Priority 2:" above is set to 0)

Use this feature to enter a boot description, which cannot be longer than 75 characters. Please be sure to enter a boot description; otherwise, the boot option for the URI cannot be created.

Boot URI (Unavailable when "Instance of Priority 2:" above is set to 0)

Enter a Boot URI with 128 characters or shorter. This Boot URI determines how IPv4 Boot Option and IPv6 Boot Option will be created.

Supermicro KMS Server Configuration Menu

► Supermicro KMS Server Configuration

Note: Be sure to configure all the features in the submenu of Supermicro KMS Server Configuration and the feature of "KMS Security Policy" in the submenu of Super-Guardians Configuration so that your system can communicate with the KMS server.

Supermicro KMS Server IP address

Use this feature to set the Supermicro Key Management Service (KMS) server IPv4 address in dotted-decimal notation.

Second Supermicro KMS Server IP address

Use this feature to set the second Supermicro KMS server IPv4 address in dotted-decimal notation.

Supermicro KMS TCP Port number

Use this feature to set the TCP port number used in the Supermicro KMS server. The valid range is 100–9999. The default setting is **5696**. Do not change the default setting unless a different TCP port number has been specified and used in the Supermicro KMS server.

KMS Time Out

Use this feature to enter the KMS server connecting time-out (in seconds). The default setting is **5** (seconds).

TimeZone

Use this feature to set the correct time zone. The default setting is **0** (not specified).

Client UserName

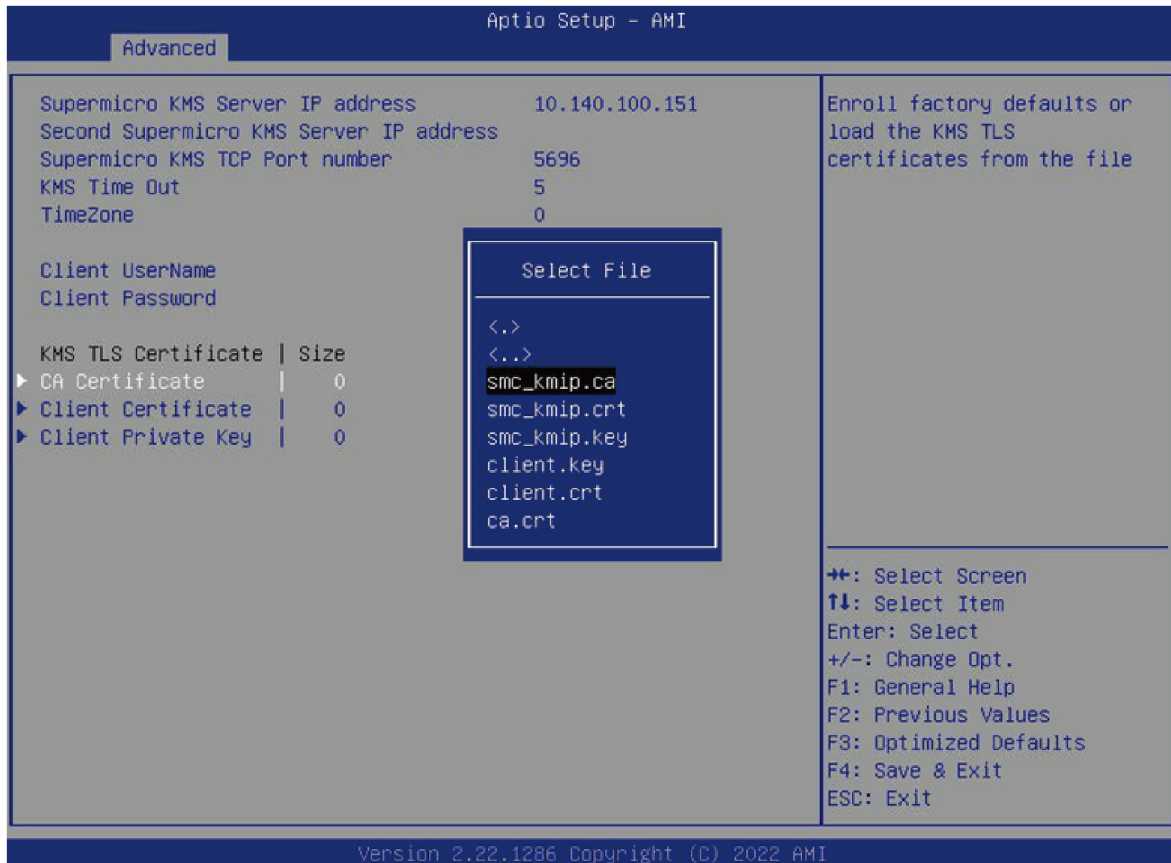
Press <Enter> to set the client identity (UserName). The length is 0–63 characters.

Client Password

Press <Enter> to set the client identity (Password). The length is 0–31 characters.

▶ CA Certificate**▶ Client Certificate****▶ Client Private Key**

Use the three features above to enroll factory defaults or load the KMS Transport Layer Security (TLS) certificates, which are generated by the KMS server, from the file stored in the USB flash drive as shown below.



Private Key Password (Available when "Client Private Key" above has been set)

Use this feature to change the private key password.

Super-Guardians Configuration Menu

▶ Super-Guardians Configuration

Super-Guardians Protection Policy

Use this feature to enable the Super-Guardians Protection Policy. The options are **Storage**, **System**, and **System and Storage**. Set this feature to **Storage** to protect and have secure access to the Trusted Computing Group (TCG) NVMe devices with the Authentication-Key (AK). Set this feature to **System** to protect and have secure access to your system/motherboard with the AK. Set this feature to **System and Storage** to protect and have secure access to your system/motherboard/storage devices with the AK.

KMS Security Policy (Available when "TPM Security Policy" and "USB Security Policy" are set to Disabled)

Set this feature to **Enabled** to enable the KMS Security Policy. When this feature has not previously been set to **Enabled**, the options are **Disabled** and **Enabled**. Changes take effect after you save settings and reboot the system.

When this feature has previously been set to Enabled, the options are **Enabled**, Reset, and Key Rotation. Set this feature to Key Rotation to obtain an existing AK from the KMS server and create a new AK. To disable the KMS Security Policy, set this feature to Reset. When this feature is set to Reset, the system and TCG NVMe devices chosen in "Super-Guardians Protection Policy" will be in the unprotected mode.

Notes:

- Be sure that the KMS server is ready before configuring this feature.
- Use the professional KMS server solutions (e.g., Thales Server) or the Supermicro PyKMIP Software Package to establish the KMS server.

KMS Server Retry Count (Available when "TPM Security Policy" and "USB Security Policy" are set to Disabled)

Use this feature to specify how many times the system will attempt reconnecting to the KMS server. The valid range is 0–10. Press the <+> or <-> key on your keyboard to change the value. The default setting is 5. If the value is 0, the system will retry infinitely.

TPM Security Policy (Available when "KMS Security Policy" and "USB Security Policy" are set to Disabled)

Set this feature to Enabled to enable the TPM Security Policy. When this feature has not previously been set to Enabled, the options are **Disabled** and Enabled. Changes take effect after you save settings and reboot the system.

When this feature has previously been set to Enabled, the options are **Enabled** and Reset. To disable the TPM Security Policy, set this feature to Reset. When this feature is set to Reset, the system and TCG NVMe devices chosen in "Super-Guardians Protection Policy" will be in the unprotected mode.

Load Authentication-Key (Available when "KMS Security Policy," "TPM Security Policy," and "USB Security Policy" are set to Disabled)

The options are **Disabled** and Enabled. Set this feature to Enabled. Changes take effect after you save settings and reboot the system. While booting, the BIOS will automatically load the Authentication-Key (filename: TPMAuth.bin) from the USB flash drive. Afterwards, the default setting will be set to Disabled by the BIOS.

Notes:

- Be sure to connect a USB flash drive with the Authentication-Key (filename: TPMAuth.bin) to your system before the system reboot.
- Be sure to save the Authentication-Key (filename: TPMAuth.bin) to the USB flash drive and keep a backup. Load the Authentication-Key (filename: TPMAuth.bin) after the TPM (either onboard or external) is detected by your system. Otherwise, the TPM function can not work properly.

Save Authentication-Key (Available when "TPM Security Policy" is set to Enabled)

The options are **Disabled** and Enabled. Set this feature to Enabled. Changes take effect after you save settings and reboot the system. While booting, the BIOS will automatically save the Authentication-Key (filename: TPMAuth.bin) to the USB flash drive. Afterwards, the default setting will be set to Disabled by the BIOS.

Note: Be sure to connect a USB flash drive to your system before the system reboot.

USB Security Policy (Available when "KMS Security Policy" and "TPM Security Policy" are set to Disabled)

Use this feature to enable the USB Security Policy. The options are **Disabled** and Enabled. Set this feature to Enabled. Changes take effect after you save settings and reboot the system. Connect a USB flash drive to your system before the system reboot. While booting, the BIOS will automatically create the USB Authentication-Key (filename: USBAuth.bin) and save it to the USB flash drive.

When this feature has been previously set to Enabled, the options are **Enabled** and Reset. To disable the USB Security Policy, set this feature to Reset. When this feature is set to Reset, the system and TCG NVMe devices chosen in "Super-Guardians Protection Policy" will be in the unprotected mode.

Note: Be sure to connect a USB flash drive to your system before configuring this feature. Save the USB Authentication-Key (filename: USBAuth.bin) to the USB flash drive and keep a backup.

System Diagnostics Configuration Menu

► System Diagnostics Configuration

Launch System Diagnostics

Set this feature to Launch Once to launch system diagnostics on next system boot. The options are **Disabled** and Launch Once.

Note: Pressing <F7> during system bootup can also launch system diagnostics.

Intel(R) Ethernet Controller Menu

► Intel(R) Ethernet Controller (Ethernet controller) - (MAC address)

Notes:

- The Ethernet controller and MAC address shown above are based on your system features.
- This submenu is available when "Onboard LAN1 Option ROM" is set to EFI.

► NIC Configuration

Link Speed

Use this feature to set the connection speed of a selected LAN port. The options are **Auto Negotiated**, 10 Mbps Half, 10 Mbps Full, 100 Mbps Half, and 100 Mbps Full.

Wake On LAN

Set this feature to support system wake-up via the selected LAN port. If this feature is set to Enabled, the LAN port selected will be enabled when the system is powered on. The options are Disabled and **Enabled**.

LLDP Agent

Use this feature to enable or disable Link Layer Discovery Protocol (LLDP) agent support on a long-term basis. The LLDP, a vendor-neutral link layer protocol, is used by a network device to identify itself and announce its capability to the neighboring devices in a network environment for networking. When disabling the LLDP agent in the firmware, the function of Data Center Bridging (DCB) will also be disabled. The options are Disabled and **Enabled**.

Blink LEDs

Use this feature to identify the physical network port by blinking the associated LED. The default setting is **0** (up to 15 seconds).

The following information is displayed.

- UEFI Driver
- Adapter PBA
- Device Name
- Chip Type

- PCI Device ID
- PCI Address
- Link Status
- MAC Address
- Virtual MAC Address

System Diagnostics Configuration Menu

► System Diagnostics Configuration

Launch System Diagnostics

Set this feature to Launch Once to launch system diagnostics on next system boot. The options are **Disabled** and Launch Once.

Note: Pressing <F7> during system bootup can also launch system diagnostics.

TLS Authenticate Configuration Menu

► TLS Authenticate Configuration

Use this submenu to configure Transport Layer Security (TLS) settings.

► Server CA Configuration

Use this feature to configure the client certificate that is to be used by the server.

► Enroll Certification

Use this feature to enroll the certificate in the system.

► Enroll Certification Using File

Use this feature to enroll the security certificate in the system by using a file.

► Commit Changes and Exit

Use this feature to save all changes and exit TLS settings.

► Discard Changes and Exit

Use this feature to discard all changes and exit TLS settings.

► Delete Certification

Use this feature to delete the certificate if a certificate has been enrolled in the system.

► **Client Certification Configuration**

BROADCOM <SAS 3808N> Configuration Utility

► **BROADCOM <SAS 3808N> Configuration Utility**

Use this menu to manage the RAID controller configurations.

Main Menu

► **Main Menu**

Use this menu to view Configuration Management, Controller Management, Virtual Drive Management, Drive Management and Hardware Components.

Configuration Management

► **Configuration Management**

This menu displays configuration options, some of which will only appear if the controller supports them.

Create Virtual Drive

► **Create Virtual Drive**

Use this menu to create a virtual drive.

► **Save Configuration**

Press the <Enter> key to save the configuration.

Select RAID Level

This feature allows you to select a RAID level. The options are **RAID0**, RAID1, and RAID00.

Secure Virtual Drive

Unmap Capability

This feature allows you to enable or disable the unmap capability for the virtual drive. The options are Enabled and **Disabled**.

Select Drives From

Use this feature to select drives from Unconfigured Capacity or Free Capacity. The options are **Unconfigured Capacity** and Free Capacity.

CONFIGURE VIRTUAL DRIVE PARAMETERS:

Virtual Drive Name

Enter a name for the virtual drive.

Virtual Drive Size

This displays the amount of storage space on the virtual drive.

Virtual Drive Size Unit

This displays the unit of which the size is measured by.

Strip Size

This feature allows you to select the strip size of the virtual drive. The default option is **64 KB**.

Read Policy**Write Policy****I/O Policy****Access Policy**

Use this feature to select the access policy for the virtual drive. The options are **Read/Write**, **Read Only**, and **Blocked**.

Drive Cache

Use this feature to select the virtual drive's cache setting. The options are **Unchanged**, **Enable**, and **Disable**.

Disable Background Initialization

This feature allows you to allow disabling of the background initialization. **No** enables the background initialization and **Yes** disables the background initialization. The options are **No** and **Yes**.

Default Initialization

This feature allows you to choose the default for initialization. The options are **No**, **Fast**, and **Full**.

Emulation Type

This feature allows you to choose an emulation type. The options are **Default**, **Disable**, and **Force**.

► Save Configuration

Press the <Enter> key to save the configuration.

Create Profile Based Virtual Drive

▶ **Create Profile Based Virtual Drive**

This menu allows you to create a virtual drive through a wizard.

Generic RAID 0

▶ **Generic RAID 0**

This menu provides information on generic RAID 0, which uses drive striping to store data across multiple disks.

Drive Selection Criteria

This allows you to select a drive.

PROFILE PARAMETERS:

The following information is displayed:

- Virtual Drive Name
- RAID Level
- Virtual Drive Size
- Strip Size
- Read Policy
- Write Policy
- IO Policy
- Drive Cache
- Default Initialization

▶ **Save Configuration**

Press the <Enter> key to save the configuration.

Generic RAID 1

▶ **Generic RAID 1**

This menu provides information on generic RAID 1, which is drive mirroring that information can be simultaneously written to more than one drive.

Drive Selection Criteria

This allows you to select a drive.

PROFILE PARAMETERS:

The following information is displayed:

- Virtual Drive Name
- RAID Level
- Virtual Drive Size
- Strip Size
- Read Policy
- Write Policy
- IO Policy
- Drive Cache
- Default Initialization

► Save Configuration

Press the <Enter> key to save the configuration.

Clear Configuration

► Clear Configuration

This feature deletes all existing configurations on the RAID controller and discards the pinned cache on missing configuration.

Clear Configuration will delete all of the Virtual Drives, Hot Spare Drives, Pinned Cache and JBODs (if applicable) attached to this controller.

Are you sure you want to clear the configuration?

Confirm

Use this feature to confirm you want to clear the configuration. The options are **Disabled** and **Enabled**. Disabling this feature disables Yes. Enabling this feature enables Yes.

► No

Press <Enter> to return to the main menu.

Controller Management

► Controller Management

Use this menu to view the controller status and basic properties of the controller.

BASIC PROPERTIES:

The following information is displayed:

- Product Name
- Serial Number
- Controller Status
- Personality Mode
- Select Boot Device
- PCI ID
- PCI Segment:Bus:Device:Function
- PCI Slot Number
- Package Version
- Firmware Version
- NVDATA Version
- Supported Device Interfaces
- Drive Count
- JBOD Count
- Virtual Drive Count

*Advanced Controller Management***► Advanced Controller Management**

Use this menu to modify various controller management activities.

*Clear Controller Events***► Clear Controller Events**

Use this menu to delete all of the existing controller events.

Are you sure you want to clear the controller events?

Confirm

Use this feature to confirm whether you want to clear all controller events. The options are **Disabled** and Enabled. Disabling this feature disables Yes. Enabling this feature enables Yes.

Save Controller Events

► Save Controller Events

Use this menu to save all of the existing controller events.

Save TTY Log

► Save TTY Log

This menu allows you to save a copy of the controller's firmware terminal log entries. The Diagnostics report includes this information.

Enable Drive Security

► Enable Drive Security

Use this menu to activate the controller's drive security.

CHOOSE THE SECURITY KEY MANAGEMENT MODE:

External Key Management (EKM)

Local Key Management (LKM)

This mode provides key management using keys within the controller itself. This mode does not require any external entity. Local Key Management is preferred in deployments that involve fewer systems. The options are Disabled and **Enabled**.

OK

Press the <Enter> key to proceed with the selected security key management option.

► Cancel

This cancels the chosen drive security mode operation.

Disable Drive Security

► Disable Drive Security

Disable Drive Security

► Disable Drive Security

Manage SAS Storage Link Speed

► Manage SAS Storage Link Speed

Use this menu to manage the SAS storage link speed.

VIEW THE PHY SETTINGS FOR THE CONTROLLER AND CHANGE THEM IF NEEDED:

Phy# 00, Disabled, , Port# 255, Neg. Speed N/A SAS Address: (0x0000000000000000)

This lists the supported link speed by the phy and allows you to select the desired speed (if supported). The default selected speed in the list points to the max link speed supported by the phy. The options are **Auto**, 3 Gbps, 6 Gbps, and 12 Gbps.

Phy# 01, Disabled, , Port# 255, Neg. Speed N/A SAS Address: (0x0000000000000000)

This lists the supported link speed by the phy and allows you to select the desired speed (if supported). The default selected speed in the list points to the max link speed supported by the phy. The options are **Auto**, 3 Gbps, 6 Gbps, and 12 Gbps.

Phy# 02, Disabled, , Port# 255, Neg. Speed N/A SAS Address: (0x0000000000000000)

This lists the supported link speed by the phy and allows you to select the desired speed (if supported). The default selected speed in the list points to the max link speed supported by the phy. The options are **Auto**, 3 Gbps, 6 Gbps, and 12 Gbps.

Phy# 03, Disabled, , Port# 255, Neg. Speed N/A SAS Address: (0x0000000000000000)

This lists the supported link speed by the phy and allows you to select the desired speed (if supported). The default selected speed in the list points to the max link speed supported by the phy. The options are **Auto**, 3 Gbps, 6 Gbps, and 12 Gbps.

Phy# 04, Disabled, , Port# 255, Neg. Speed N/A SAS Address: (0x0000000000000000)

This lists the supported link speed by the phy and allows you to select the desired speed (if supported). The default selected speed in the list points to the max link speed supported by the phy. The options are **Auto**, 3 Gbps, 6 Gbps, and 12 Gbps.

Phy# 05, Disabled, , Port# 255, Neg. Speed N/A SAS Address: (0x0000000000000000)

This lists the supported link speed by the phy and allows you to select the desired speed (if supported). The default selected speed in the list points to the max link speed supported by the phy. The options are **Auto**, 3 Gbps, 6 Gbps, and 12 Gbps.

Phy# 06, Disabled, , Port# 255, Neg. Speed N/A SAS Address: (0x0000000000000000)

This lists the supported link speed by the phy and allows you to select the desired speed (if supported). The default selected speed in the list points to the max link speed supported by the phy. The options are **Auto**, 3 Gbps, 6 Gbps, and 12 Gbps.

Phy# 07, Disabled, , Port# 255, Neg. Speed N/A SAS Address: (0x0000000000000000)

This lists the supported link speed by the phy and allows you to select the desired speed (if supported). The default selected speed in the list points to the max link speed supported by the phy. The options are **Auto**, 3 Gbps, 6 Gbps, and 12 Gbps.

► **OK**

Press the <Enter> key to commit to the changes.

► Cancel

Press the <Enter> key to cancel the changes.

Manage PCIe Storage Interface

► Manage PCIe Storage Interface

Use this menu to manage the controller's link width and lane speed.

► Apply Changes

Press <Enter> to submit the changes made to the entire form.

VIEW LINK WIDTH AND CHANGE THEM IF NEEDED:

Link Width for C0, C1, C2, C3

Use this feature to select the desired link width (if supported). The options are 0–3:x3, 4–7:x4, 0–1:x2, 2–3:x2, 4–5:x2, 6–7:x2, and 0:x1, 1:x1, 2:x1, 3:x1, 4:x1, 5:x1, 6:x1, 7:x1.

Important: If the speed for some of the lanes that are participating in the same link are configured differently, then the lowest speed will be used by the link. Recommendation: Choose the same speed for all lanes that belong to the same link.

VIEW THE LANE SPEED AND CHANGE THEM IF NEEDED:

Lane# 00, Enabled, C0, Link#, 00, Neg. Speed: N/A, WWID: (0x0000000000000000), Device Type: N/A

This feature lists the supported speed by the lane and allows you to select the desired speed (if supported). The default selected speed in the list points to the max supported speed by the lane. The options are 2.5 GT/s, 5 GT/s, 8 GT/s, and **16 GT/s**.

Lane# 01, Enabled, C0, Link#, 00, Neg. Speed: N/A, WWID: (0x0000000000000000), Device Type: N/A

This feature lists the supported speed by the lane and allows you to select the desired speed (if supported). The default selected speed in the list points to the max supported speed by the lane. The options are 2.5 GT/s, 5 GT/s, 8 GT/s, and **16 GT/s**.

Lane# 02, Enabled, C0, Link#, 00, Neg. Speed: N/A, WWID: (0x0000000000000000), Device Type: N/A

This feature lists the supported speed by the lane and allows you to select the desired speed (if supported). The default selected speed in the list points to the max supported speed by the lane. The options are 2.5 GT/s, 5 GT/s, 8 GT/s, and **16 GT/s**.

Lane# 03, Enabled, C0, Link#, 00, Neg. Speed: N/A, WWID: (0x0000000000000000), Device Type: N/A

This feature lists the supported speed by the lane and allows you to select the desired speed (if supported). The default selected speed in the list points to the max supported speed by the lane. The options are 2.5 GT/s, 5 GT/s, 8 GT/s, and **16 GT/s**.

Lane# 04, Enabled, C0, Link#, 00, Neg. Speed: N/A, WWID: (0x0000000000000000), Device Type: N/A

This feature lists the supported speed by the lane and allows you to select the desired speed (if supported). The default selected speed in the list points to the max supported speed by the lane. The options are 2.5 GT/s, 5 GT/s, 8 GT/s, and **16 GT/s**.

Lane# 05, Enabled, C0, Link#, 00, Neg. Speed: N/A, WWID: (0x0000000000000000), Device Type: N/A

This feature lists the supported speed by the lane and allows you to select the desired speed (if supported). The default selected speed in the list points to the max supported speed by the lane. The options are 2.5 GT/s, 5 GT/s, 8 GT/s, and **16 GT/s**.

Lane# 06, Enabled, C0, Link#, 00, Neg. Speed: N/A, WWID: (0x0000000000000000), Device Type: N/A

This feature lists the supported speed by the lane and allows you to select the desired speed (if supported). The default selected speed in the list points to the max supported speed by the lane. The options are 2.5 GT/s, 5 GT/s, 8 GT/s, and **16 GT/s**.

Lane# 07, Enabled, C0, Link#, 00, Neg. Speed: N/A, WWID: (0x0000000000000000), Device Type: N/A

This feature lists the supported speed by the lane and allows you to select the desired speed (if supported). The default selected speed in the list points to the max supported speed by the lane. The options are 2.5 GT/s, 5 GT/s, 8 GT/s, and **16 GT/s**.

► Apply Changes

Press <Enter> to submit the changes made to the entire form.

Manage MegaRAID Advanced Software Options

► Manage MegaRAID Advanced Software Options

This menu enables you set the controller's MegaRAID Advanced Software Options. This menu also shows the Advanced Software Options that are active on the controller.

MegaRAID SafeStore (Unlimited)

MegaRAID FastPath (Unlimited)

The following information is displayed:

- SAFE ID
- Serial Number

Activation Key

Enter a 40 alpha-numeric character value.

▶ Activate

Press <Enter> to see a summary and activate the advanced software options.

▶ Deactivate All Trial Software

Schedule Consistency Check

▶ Schedule Consistency Check

This menu allows you to schedule a Consistency Check (CC) operation.

Consistency Check Frequency

Use this feature to select the frequency of the consistency check runs. The options are Disable, Hourly, Daily, **Weekly**, and Monthly.

Consistency Check Start Date

Use this feature to set the start date for the consistency check operation. Enter the date in the format of MM/DD/YYYY.

Consistency Check Start Time

Use this feature to set the consistency check start time. Enter the time in the format of HH:MM:SS.

Consistency Check Mode

Use this feature to select the consistency check mode. Sequential checks the virtual drives one at a time. **Concurrent** checks all of the selected virtual drives simultaneously.

Start Immediately

SELECT VIRTUAL DRIVES TO CHECK:

▶ Exclude Virtual Drives

▶ Apply Changes

Press <Enter> to submit the changes made to the entire form.

Set Factory Defaults

► Set Factory Defaults

Use this menu to restore the controller settings to factory defaults.

Are you sure you want to reset the controller settings to factory defaults?

Confirm

Use this feature to confirm whether you want to reset the controller settings to factory defaults. The options are **Disabled** and Enabled. Disabling this feature disables Yes. Enabling this feature enables Yes.

► No

Press <Enter> to return to the main menu.

Manage Personality Mode

► Manage Personality Mode

Use this menu to change the controller's parameters and personality.

The following information is displayed:

- Personality Mode

Manage Controller Profiles

► Manage Controller Profiles

Use this menu to view the controller's profile information and to choose a profile.

The following information is displayed:

- Number of Profiles

Choose Profile

Use this feature to select the desired controller profile.

DETAILS OF THE PROFILE:

The following information is displayed:

- Personality Mode
- Profile ID
- Default Profile
- Compatible

- Max PD Count
- Max VD Count
- Max NVMe Count

► **Set Profile**

Manage Phy State

► **Manage Phy State**

Use this menu to modify the phy state to enabled or disabled.

VIEW THE PHY SETTINGS FOR THE CONTROLLER AND CHANGE THEM IF NEEDED.

Phy# 00 / Phy# 01 / Phy# 03 / Phy# 04 / Phy# 05 / Phy# 06 / Phy# 07

Use this feature to enable or disable the phy state. The options are **Disabled** and Enabled.

► **OK**

Press the <Enter> key to commit to the changes.

► **Cancel**

Press the <Enter> key to cancel the changes.

Advanced Controller Properties

► **Advanced Controller Properties**

This menu allows you to view and modify advanced controller properties.

CONTROLLER PROPERTIES:

► **Apply Changes**

Press <Enter> to submit the changes made to the entire form.

Auto Import Foreign Configuration

Enabling this feature allows automatic import of foreign configurations without you needing to intervene. The options are **Enabled** and Disabled.

Coercion Mode

Use this feature to set the drive coercion mode. The options are **None**, 128 MB, and 1 GB.

Boot Mode

Use this feature to set how to handle errors that may occur during boot time. The options are Stop on errors, **Pause on errors**, Ignore errors, and Safe mode on errors.

Controller BIOS

Use this feature to enable or disable the controller BIOS. The options are **Enabled** and Disabled.

ROC Temperature (C)

This displays the temperature of the ROC.

Shield State Supported

This displays whether the shield state is supported or not.

Drive Security

This displays the status of the drive security feature.

T10-PI

This displays the status of the data protection feature.

Maintain Drive Fail History

Enabling this feature allows you to track the fail history of the drives. The options are Disabled and **Enabled**.

SMART Polling

Enter a numeric value to set how frequently the controller polls for drives that are reporting a Predictive Drive Failure. The default option is **300** seconds.

Stop Consistency Check on Error

Enabling this feature stops the consistency check operation on a redundant virtual drive if there is an inconsistency found in the data. Disabling this allows the consistency check operation to continue on a redundant virtual drive if there is an inconsistency found in the data. The options are **Disabled** and Enabled.

JBOD Mode

Use this feature to enable or disable the JBOD mode. The options are **Disabled** and Enabled.

Large IO Support**Unmap Capability**

Use this feature to enable or disable the unmap capability for the controller. The options are Disabled and **Enabled**.

Firmware Device Order

Use this feature to select the firmware device order. The options are **Disabled** and Enabled.

PCIe Reference Clock

This feature displays or allows you to change the PCIe reference clock settings. The options are **Default (No Override)**, Enabled, and Disabled.

PERST

This feature displays or allows you to change the PCIe Reset Side-Band Signal (PERST) settings. The options are **Default (No Override)**, Deasserted, and Asserted.

▶ Apply Changes

Press <Enter> to submit the changes made to the entire form.

Patrol Read

▶ Patrol Read

This menu enables you to view and set patrol read properties.

▶ Start

Press the <Enter> key to start the patrol read for the selected controller.

▶ Suspend

Press the <Enter> key to suspend the patrol read.

▶ Resume

Press the <Enter> key to resume the patrol read.

▶ Stop

Press the <Enter> key to stop the patrol read.

State

This displays the current state of the patrol read operation.

Iterations

This displays the number of patrol read iterations.

Mode

This feature allows you to modify the patrol read mode for the controller. The options are **Auto**, Manual, and Disabled.

Rate

Enter a numerical value to set the percentage of system resources dedicated to perform a patrol read operation on configured drives.

Setting for Unconfigured Space

This setting indicates the patrol read settings for the unconfigured space.

► Apply Changes

Press <Enter> to submit the changes made to the entire form.

Spare

► Spare

Use this menu to view and change controller properties related to emergency spares, hot spares, and replace drives.

► Apply Changes

Press <Enter> to submit the changes made to the entire form.

Persistent Hot Spare

Replace Drive

Use this feature to enable or disable the ability to copy data back from a hot spare drive to a drive. The options are Enabled and **Disabled**.

Replace Hard Disk Drive on SMART Error

Replace Solid State Drive on SMART Error

► Apply Changes

Press <Enter> to submit the changes made to the entire form.

Task Rates

► Task Rates

Use this menu to view and change the percentage of controller resources allotted for various operations.

► Apply Changes

Press <Enter> to submit the changes made to the entire form.

Background Initialization (BGI) Rate

This feature displays the percentage at which the system resources are dedicated to perform a background initialization on a redundant virtual drive. Enter a number to modify the percentage.

Consistency Check Rate

This feature displays the percentage at which the system resources are dedicated to perform a consistency check operation on a redundant virtual drive. Enter a number to modify the percentage.

Patrol Read Rate

This feature displays the percentage at which the system resources are dedicated to perform a patrol read operation on the configured drives. Enter a number to modify the percentage.

Rebuild Rate

This feature displays the percentage at which the system resources are dedicated to rebuild data on a new drive after a storage configuration drive has failed. Enter a number to modify the percentage.

Reconstruction Rate

► Apply Changes

Press <Enter> to submit the changes made to the entire form.

External Key Management

► External Key Management

Use this menu to view the properties for the External Key Management (EKM) feature.

The following information is displayed:

- Capability
- Boot Agent
- Configured

Spin Down Drives At Shutdown

► Spin Down Drives At Shutdown

Use this menu to view and modify the spin down of drives at shutdown.

SATA HDD / SAS HDD / SAS SSD / NVMe SSD

This feature allows you to enable or disable the spin down of the selected drive. The options are **Disabled** and Enabled.

SATA SSD

This feature allows you to enable or disable the spin down of the selected drive. The options are Disabled and **Enabled**.

▶ Apply Changes

Press <Enter> to submit the changes made to the entire form.

Virtual Drive Management

▶ Virtual Drive Management

Use this menu to view and modify the virtual drive properties.

Drive Management

▶ Drive Management

Use this menu to view and modify basic drive properties.

Drive

▶ Drive

This menu allows you to view and modify specific drive properties. The number of drives may differ depending on your setup.

Operation

Select the operation that you want to perform on the drive. The options are **Select operation**, Initialize Drive, Cryptographic Erase, Make Unconfigured Bad, Prepare For Removal, and Sanitize.

BASIC PROPERTIES:

The following information is displayed:

- Device ID
- Status
- Size
- Type
- Model
- Serial Number
- Hardware Vendor

Advanced...

► **Advanced...**

This menu displays additional information about the specific drive.

The following information is displayed:

- Certified
- Logical Sector Size
- Physical Sector Size
- SMART Status
- Revision
- Media Errors
- Predicted Fail Count
- WWID
- Multipath
- Drive Power State
- Cache Setting
- Disk Protocol
- Capable Speed
- Negotiated Speed
- PCIe Capable Link Width
- PCIe Negotiated Link Width
- Number of Connections
- FDE Capable
- Secured
- Cryptographic Erase Capable
- Unmap Capable
- Unmap Capability for Configuration
- Temperature (C)

Hardware Components

▶ **Hardware Components**

This menu allows you to view enclosure status.

BASIC HARDWARE STATUS:

▶ **Enclosure Management**

This menu allows you to view enclosure information.

Select Enclosure

This feature allows you to view all attached enclosures.

The following information is displayed:

- Vendor ID
- Enclosure ID
- Enclosure Model

Help

▶ **Help**

This menu displays additional information on configurations.

CONFIGURE:

Allows you to create a virtual drive or a JBOD if applicable by clicking on the Configure option present in the ACTIONS section in the Dashboard View. This option takes you to the Configuration Management page that displays the configuration options. Some options appear only if the controller supports them. As an example, Create Virtual Drive, Create Profile Based Virtual Drive, Make JBOD, Make Unconfigured Good, Clear Configuration, Manage Foreign Configuration, View Drive Group Properties and View Global Hot Spares Drives.

PROPERTIES

PROPERTIES:

The following information is displayed:

- Status
- Backplane
- CacheVault

- Enclosure
- Drives
- JBODs
- Drive Groups
- Virtual Drives

[View Server Profile](#)

▶ View Server Profile

SERVER:

The following information is displayed:

- UEFI Spec Version

CONTROLLER COMPONENTS

[Controller Management](#)

▶ Controller Management

Use this menu to view the controller status and basic properties of the controller.

BASIC PROPERTIES:

The following information is displayed:

- Product Name
- Serial Number
- Controller Status
- Personality Mode
- Select Boot Device
- PCI ID
- PCI Segment:Bus:Device:Function
- PCI Slot Number
- Package Version
- Firmware Version
- NVDATA Version

- Supported Device Interfaces
- Drive Count
- JBOD Count
- Virtual Drive Count

Advanced Controller Management

► **Advanced Controller Management**

Use this menu to modify various controller management activities.

Clear Controller Events

► **Clear Controller Events**

Use this menu to delete all of the existing controller events.

Are you sure you want to clear the controller events?

Confirm

Use this feature to confirm whether you want to clear all controller events. The options are **Disabled** and Enabled. Disabling this feature disables Yes. Enabling this feature enables Yes.

Save Controller Events

► **Save Controller Events**

Use this menu to save all of the existing controller events.

Save TTY Log

► **Save TTY Log**

This menu allows you to save a copy of the controller's firmware terminal log entries. The Diagnostics report includes this information.

Enable Drive Security

► **Enable Drive Security**

Use this menu to activate the controller's drive security.

CHOOSE THE SECURITY KEY MANAGEMENT MODE:

External Key Management (EKM)**Local Key Management (LKM)**

This mode provides key management using keys within the controller itself. This mode does not require any external entity. Local Key Management is preferred in deployments that involve fewer systems. The options are Disabled and **Enabled**.

OK

Press the <Enter> key to proceed with the selected security key management option.

► Cancel

This cancels the chosen drive security mode operation.

Disable Drive Security

► Disable Drive Security

Disable Drive Security

► Disable Drive Security

Manage SAS Storage Link Speed

► Manage SAS Storage Link Speed

Use this menu to manage the SAS storage link speed.

VIEW THE PHY SETTINGS FOR THE CONTROLLER AND CHANGE THEM IF NEEDED:

Phy# 00, Disabled, , Port# 255, Neg. Speed N/A SAS Address: (0x0000000000000000)

This lists the supported link speed by the phy and allows you to select the desired speed (if supported). The default selected speed in the list points to the max link speed supported by the phy. The options are **Auto**, 3 Gbps, 6 Gbps, and 12 Gbps.

Phy# 01, Disabled, , Port# 255, Neg. Speed N/A SAS Address: (0x0000000000000000)

This lists the supported link speed by the phy and allows you to select the desired speed (if supported). The default selected speed in the list points to the max link speed supported by the phy. The options are **Auto**, 3 Gbps, 6 Gbps, and 12 Gbps.

Phy# 02, Disabled, , Port# 255, Neg. Speed N/A SAS Address: (0x0000000000000000)

This lists the supported link speed by the phy and allows you to select the desired speed (if supported). The default selected speed in the list points to the max link speed supported by the phy. The options are **Auto**, 3 Gbps, 6 Gbps, and 12 Gbps.

Phy# 03, Disabled, , Port# 255, Neg. Speed N/A SAS Address: (0x0000000000000000)

This lists the supported link speed by the phy and allows you to select the desired speed (if supported). The default selected speed in the list points to the max link speed supported by the phy. The options are **Auto**, 3 Gbps, 6 Gbps, and 12 Gbps.

Phy# 04, Disabled, , Port# 255, Neg. Speed N/A SAS Address: (0x0000000000000000)

This lists the supported link speed by the phy and allows you to select the desired speed (if supported). The default selected speed in the list points to the max link speed supported by the phy. The options are **Auto**, 3 Gbps, 6 Gbps, and 12 Gbps.

Phy# 05, Disabled, , Port# 255, Neg. Speed N/A SAS Address: (0x0000000000000000)

This lists the supported link speed by the phy and allows you to select the desired speed (if supported). The default selected speed in the list points to the max link speed supported by the phy. The options are **Auto**, 3 Gbps, 6 Gbps, and 12 Gbps.

Phy# 06, Disabled, , Port# 255, Neg. Speed N/A SAS Address: (0x0000000000000000)

This lists the supported link speed by the phy and allows you to select the desired speed (if supported). The default selected speed in the list points to the max link speed supported by the phy. The options are **Auto**, 3 Gbps, 6 Gbps, and 12 Gbps.

Phy# 07, Disabled, , Port# 255, Neg. Speed N/A SAS Address: (0x0000000000000000)

This lists the supported link speed by the phy and allows you to select the desired speed (if supported). The default selected speed in the list points to the max link speed supported by the phy. The options are **Auto**, 3 Gbps, 6 Gbps, and 12 Gbps.

► OK

Press the <Enter> key to commit to the changes.

► Cancel

Press the <Enter> key to cancel the changes.

*Manage PCIe Storage Interface***► Manage PCIe Storage Interface**

Use this menu to manage the controller's link width and lane speed.

► Apply Changes

Press <Enter> to submit the changes made to the entire form.

VIEW LINK WIDTH AND CHANGE THEM IF NEEDED:

Link Width for C0, C1, C2, C3

Use this feature to select the desired link width (if supported). The options are 0–3:x3, 4–7:x4, 0–1:x2, 2–3:x2, 4–5:x2, 6–7:x2, and 0:x1, 1:x1, 2:x1, 3:x1, 4:x1, 5:x1, 6:x1, 7:x1.

Important: If the speed for some of the lanes that are participating in the same link are configured differently, then the lowest speed will be used by the link. Recommendation: Choose the same speed for all lanes that belong to the same link.

VIEW THE LANE SPEED AND CHANGE THEM IF NEEDED:

Lane# 00, Enabled, C0, Link#, 00, Neg. Speed: N/A, WWID: (0x0000000000000000), Device Type: N/A

This feature lists the supported speed by the lane and allows you to select the desired speed (if supported). The default selected speed in the list points to the max supported speed by the lane. The options are 2.5 GT/s, 5 GT/s, 8 GT/s, and **16 GT/s**.

Lane# 01, Enabled, C0, Link#, 00, Neg. Speed: N/A, WWID: (0x0000000000000000), Device Type: N/A

This feature lists the supported speed by the lane and allows you to select the desired speed (if supported). The default selected speed in the list points to the max supported speed by the lane. The options are 2.5 GT/s, 5 GT/s, 8 GT/s, and **16 GT/s**.

Lane# 02, Enabled, C0, Link#, 00, Neg. Speed: N/A, WWID: (0x0000000000000000), Device Type: N/A

This feature lists the supported speed by the lane and allows you to select the desired speed (if supported). The default selected speed in the list points to the max supported speed by the lane. The options are 2.5 GT/s, 5 GT/s, 8 GT/s, and **16 GT/s**.

Lane# 03, Enabled, C0, Link#, 00, Neg. Speed: N/A, WWID: (0x0000000000000000), Device Type: N/A

This feature lists the supported speed by the lane and allows you to select the desired speed (if supported). The default selected speed in the list points to the max supported speed by the lane. The options are 2.5 GT/s, 5 GT/s, 8 GT/s, and **16 GT/s**.

Lane# 04, Enabled, C0, Link#, 00, Neg. Speed: N/A, WWID: (0x0000000000000000), Device Type: N/A

This feature lists the supported speed by the lane and allows you to select the desired speed (if supported). The default selected speed in the list points to the max supported speed by the lane. The options are 2.5 GT/s, 5 GT/s, 8 GT/s, and **16 GT/s**.

Lane# 05, Enabled, C0, Link#, 00, Neg. Speed: N/A, WWID: (0x0000000000000000), Device Type: N/A

This feature lists the supported speed by the lane and allows you to select the desired speed (if supported). The default selected speed in the list points to the max supported speed by the lane. The options are 2.5 GT/s, 5 GT/s, 8 GT/s, and **16 GT/s**.

Lane# 06, Enabled, C0, Link#, 00, Neg. Speed: N/A, WWID: (0x0000000000000000), Device Type: N/A

This feature lists the supported speed by the lane and allows you to select the desired speed (if supported). The default selected speed in the list points to the max supported speed by the lane. The options are 2.5 GT/s, 5 GT/s, 8 GT/s, and **16 GT/s**.

Lane# 07, Enabled, C0, Link#, 00, Neg. Speed: N/A, WWID: (0x0000000000000000), Device Type: N/A

This feature lists the supported speed by the lane and allows you to select the desired speed (if supported). The default selected speed in the list points to the max supported speed by the lane. The options are 2.5 GT/s, 5 GT/s, 8 GT/s, and **16 GT/s**.

► Apply Changes

Press <Enter> to submit the changes made to the entire form.

Manage MegaRAID Advanced Software Options

► Manage MegaRAID Advanced Software Options

This menu enables you set the controller's MegaRAID Advanced Software Options. This menu also shows the Advanced Software Options that are active on the controller.

MegaRAID SafeStore (Unlimited)

MegaRAID FastPath (Unlimited)

The following information is displayed:

- SAFE ID
- Serial Number

Activation Key

Enter a 40 alpha-numeric character value.

► Activate

Press <Enter> to see a summary and activate the advanced software options.

► Deactivate All Trial Software

Schedule Consistency Check

► Schedule Consistency Check

This menu allows you to schedule a Consistency Check (CC) operation.

Consistency Check Frequency

Use this feature to select the frequency of the consistency check runs. The options are Disable, Hourly, Daily, **Weekly**, and Monthly.

Consistency Check Start Date

Use this feature to set the start date for the consistency check operation. Enter the date in the format of MM/DD/YYYY.

Consistency Check Start Time

Use this feature to set the consistency check start time. Enter the time in the format of HH:MM:SS.

Consistency Check Mode

Use this feature to select the consistency check mode. Sequential checks the virtual drives one at a time. **Concurrent** checks all of the selected virtual drives simultaneously.

Start Immediately

SELECT VIRTUAL DRIVES TO CHECK:

► Exclude Virtual Drives

► Apply Changes

Press <Enter> to submit the changes made to the entire form.

Set Factory Defaults

► Set Factory Defaults

Use this menu to restore the controller settings to factory defaults.

Are you sure you want to reset the controller settings to factory defaults?

Confirm

Use this feature to confirm whether you want to reset the controller settings to factory defaults. The options are **Disabled** and Enabled. Disabling this feature disables Yes. Enabling this feature enables Yes.

► No

Press <Enter> to return to the main menu.

Manage Personality Mode

► Manage Personality Mode

Use this menu to change the controller's parameters and personality.

The following information is displayed:

- Personality Mode

Manage Controller Profiles

► Manage Controller Profiles

Use this menu to view the controller's profile information and to choose a profile.

The following information is displayed:

- Number of Profiles

Choose Profile

Use this feature to select the desired controller profile.

DETAILS OF THE PROFILE:

The following information is displayed:

- Personality Mode
- Profile ID
- Default Profile
- Compatible
- Max PD Count
- Max VD Count
- Max NVMe Count

► Set Profile

Manage Phy State

► Manage Phy State

Use this menu to modify the phy state to enabled or disabled.

VIEW THE PHY SETTINGS FOR THE CONTROLLER AND CHANGE THEM IF NEEDED.

Phy# 00 / Phy# 01 / Phy# 03 / Phy# 04 / Phy# 05 / Phy# 06 / Phy# 07

Use this feature to enable or disable the phy state. The options are **Disabled** and Enabled.

▶ **OK**

Press the <Enter> key to commit to the changes.

▶ **Cancel**

Press the <Enter> key to cancel the changes.

Advanced Controller Properties

▶ **Advanced Controller Properties**

This menu allows you to view and modify advanced controller properties.

CONTROLLER PROPERTIES:

▶ **Apply Changes**

Press <Enter> to submit the changes made to the entire form.

Auto Import Foreign Configuration

Enabling this feature allows automatic import of foreign configurations without you needing to intervene. The options are **Enabled** and Disabled.

Coercion Mode

Use this feature to set the drive coercion mode. The options are **None**, 128 MB, and 1 GB.

Boot Mode

Use this feature to set how to handle errors that may occur during boot time. The options are Stop on errors, **Pause on errors**, Ignore errors, and Safe mode on errors.

Controller BIOS

Use this feature to enable or disable the controller BIOS. The options are **Enabled** and Disabled.

ROC Temperature (C)

This displays the temperature of the ROC.

Shield State Supported

This displays whether the shield state is supported or not.

Drive Security

This displays the status of the drive security feature.

T10-PI

This displays the status of the data protection feature.

Maintain Drive Fail History

Enabling this feature allows you to track the fail history of the drives. The options are Disabled and **Enabled**.

SMART Polling

Enter a numeric value to set how frequently the controller polls for drives that are reporting a Predictive Drive Failure. The default option is **300** seconds.

Stop Consistency Check on Error

Enabling this feature stops the consistency check operation on a redundant virtual drive if there is an inconsistency found in the data. Disabling this allows the consistency check operation to continue on a redundant virtual drive if there is an inconsistency found in the data. The options are **Disabled** and Enabled.

JBOD Mode

Use this feature to enable or disable the JBOD mode. The options are **Disabled** and Enabled.

Large IO Support

Unmap Capability

Use this feature to enable or disable the unmap capability for the controller. The options are Disabled and **Enabled**.

Firmware Device Order

Use this feature to select the firmware device order. The options are **Disabled** and Enabled.

PCIe Reference Clock

This feature displays or allows you to change the PCIe reference clock settings. The options are **Default (No Override)**, Enabled, and Disabled.

PERST

This feature displays or allows you to change the PCIe Reset Side-Band Signal (PERST) settings. The options are **Default (No Override)**, Deasserted, and Asserted.

► Apply Changes

Press <Enter> to submit the changes made to the entire form.

Patrol Read

▶ Patrol Read

This menu enables you to view and set patrol read properties.

▶ Start

Press the <Enter> key to start the patrol read for the selected controller.

▶ Suspend

Press the <Enter> key to suspend the patrol read.

▶ Resume

Press the <Enter> key to resume the patrol read.

▶ Stop

Press the <Enter> key to stop the patrol read.

State

This displays the current state of the patrol read operation.

Iterations

This displays the number of patrol read iterations.

Mode

This feature allows you to modify the patrol read mode for the controller. The options are **Auto**, **Manual**, and **Disabled**.

Rate

Enter a numerical value to set the percentage of system resources dedicated to perform a patrol read operation on configured drives.

Setting for Unconfigured Space

This setting indicates the patrol read settings for the unconfigured space.

▶ Apply Changes

Press <Enter> to submit the changes made to the entire form.

Spare

► Spare

Use this menu to view and change controller properties related to emergency spares, hot spares, and replace drives.

► Apply Changes

Press <Enter> to submit the changes made to the entire form.

Persistent Hot Spare

Replace Drive

Use this feature to enable or disable the ability to copy data back from a hot spare drive to a drive. The options are Enabled and **Disabled**.

Replace Hard Disk Drive on SMART Error

Replace Solid State Drive on SMART Error

► Apply Changes

Press <Enter> to submit the changes made to the entire form.

Task Rates

► Task Rates

Use this menu to view and change the percentage of controller resources allotted for various operations.

► Apply Changes

Press <Enter> to submit the changes made to the entire form.

Background Initialization (BGI) Rate

This feature displays the percentage at which the system resources are dedicated to perform a background initialization on a redundant virtual drive. Enter a number to modify the percentage.

Consistency Check Rate

This feature displays the percentage at which the system resources are dedicated to perform a consistency check operation on a redundant virtual drive. Enter a number to modify the percentage.

Patrol Read Rate

This feature displays the percentage at which the system resources are dedicated to perform a patrol read operation on the configured drives. Enter a number to modify the percentage.

Rebuild Rate

This feature displays the percentage at which the system resources are dedicated to rebuild data on a new drive after a storage configuration drive has failed. Enter a number to modify the percentage.

Reconstruction Rate

► Apply Changes

Press <Enter> to submit the changes made to the entire form.

External Key Management

► External Key Management

Use this menu to view the properties for the External Key Management (EKM) feature.

The following information is displayed:

- Capability
- Boot Agent
- Configured

Spin Down Drives At Shutdown

► Spin Down Drives At Shutdown

Use this menu to view and modify the spin down of drives at shutdown.

SATA HDD / SAS HDD / SAS SSD / NVMe SSD

This feature allows you to enable or disable the spin down of the selected drive. The options are **Disabled** and Enabled.

SATA SSD

This feature allows you to enable or disable the spin down of the selected drive. The options are Disabled and **Enabled**.

► Apply Changes

Press <Enter> to submit the changes made to the entire form.

Virtual Drive Management

► Virtual Drive Management

Use this menu to view and modify the virtual drive properties.

Drive Management

► Drive Management

Use this menu to view and modify basic drive properties.

Drive

► Drive

This menu allows you to view and modify specific drive properties. The number of drives may differ depending on your setup.

Operation

Select the operation that you want to perform on the drive. The options are **Select operation**, Initialize Drive, Cryptographic Erase, Make Unconfigured Bad, Prepare For Removal, and Sanitize.

BASIC PROPERTIES:

The following information is displayed:

- Device ID
- Status
- Size
- Type
- Model
- Serial Number
- Hardware Vendor

Advanced...

► Advanced...

This menu displays additional information about the specific drive.

The following information is displayed:

- Certified
- Logical Sector Size
- Physical Sector Size
- SMART Status
- Revision

- Media Errors
- Predicted Fail Count
- WWID
- Multipath
- Drive Power State
- Cache Setting
- Disk Protocol
- Capable Speed
- Negotiated Speed
- PCIe Capable Link Width
- PCIe Negotiated Link Width
- Number of Connections
- FDE Capable
- Secured
- Cryptographic Erase Capable
- Unmap Capable
- Unmap Capability for Configuration
- Temperature (C)

Hardware Components

▶ **Hardware Components**

This menu allows you to view enclosure status.

BASIC HARDWARE STATUS:

▶ **Enclosure Management**

This menu allows you to view enclosure information.

Select Enclosure

This feature allows you to view all attached enclosures.

The following information is displayed:

- Vendor ID
- Enclosure ID
- Enclosure Model

Drive Management

▶ **Drive Management**

Use this menu to view and modify basic drive properties.

Virtual Drive Management

▶ **Virtual Drive Management**

Use this menu to view and modify the virtual drive properties.

ACTIONS

Configuration Management

▶ **Configuration Management**

This menu displays configuration options, some of which will only appear if the controller supports them.

Create Virtual Drive

▶ **Create Virtual Drive**

Use this menu to create a virtual drive.

▶ **Save Configuration**

Press the <Enter> key to save the configuration.

Select RAID Level

This feature allows you to select a RAID level. The options are **RAID0**, RAID1, and RAID00.

Secure Virtual Drive

Unmap Capability

This feature allows you to enable or disable the unmap capability for the virtual drive. The options are Enabled and **Disabled**.

Select Drives From

Use this feature to select drives from Unconfigured Capacity or Free Capacity. The options are **Unconfigured Capacity** and Free Capacity.

CONFIGURE VIRTUAL DRIVE PARAMETERS:

Virtual Drive Name

Enter a name for the virtual drive.

Virtual Drive Size

This displays the amount of storage space on the virtual drive.

Virtual Drive Size Unit

This displays the unit of which the size is measured by.

Strip Size

This feature allows you to select the strip size of the virtual drive. The default option is **64 KB**.

Read Policy

Write Policy

I/O Policy

Access Policy

Use this feature to select the access policy for the virtual drive. The options are **Read/Write**, **Read Only**, and **Blocked**.

Drive Cache

Use this feature to select the virtual drive's cache setting. The options are **Unchanged**, **Enable**, and **Disable**.

Disable Background Initialization

This feature allows you to allow disabling of the background initialization. **No** enables the background initialization and **Yes** disables the background initialization. The options are **No** and **Yes**.

Default Initialization

This feature allows you to choose the default for initialization. The options are **No**, **Fast**, and **Full**.

Emulation Type

This feature allows you to choose an emulation type. The options are **Default**, **Disable**, and **Force**.

► Save Configuration

Press the <Enter> key to save the configuration.

Create Profile Based Virtual Drive

► **Create Profile Based Virtual Drive**

This menu allows you to create a virtual drive through a wizard.

Generic RAID 0

► **Generic RAID 0**

This menu provides information on generic RAID 0, which uses drive striping to store data across multiple disks.

Drive Selection Criteria

This allows you to select a drive.

PROFILE PARAMETERS:

The following information is displayed:

- Virtual Drive Name
- RAID Level
- Virtual Drive Size
- Strip Size
- Read Policy
- Write Policy
- IO Policy
- Drive Cache
- Default Initialization

► **Save Configuration**

Press the <Enter> key to save the configuration.

Generic RAID 1

► **Generic RAID 1**

This menu provides information on generic RAID 1, which is drive mirroring that information can be simultaneously written to more than one drive.

Drive Selection Criteria

This allows you to select a drive.

PROFILE PARAMETERS:

The following information is displayed:

- Virtual Drive Name
- RAID Level
- Virtual Drive Size
- Strip Size
- Read Policy
- Write Policy
- IO Policy
- Drive Cache
- Default Initialization

► Save Configuration

Press the <Enter> key to save the configuration.

*Clear Configuration***► Clear Configuration**

This feature deletes all existing configurations on the RAID controller and discards the pinned cache on missing configuration.

Clear Configuration will delete all of the Virtual Drives, Hot Spare Drives, Pinned Cache and JBODs (if applicable) attached to this controller.

Are you sure you want to clear the configuration?

Confirm

Use this feature to confirm you want to clear the configuration. The options are **Disabled** and **Enabled**. Disabling this feature disables Yes. Enabling this feature enables Yes.

► No

Press <Enter> to return to the main menu.

*Set Factory Defaults***► Set Factory Defaults**

Use this menu to restore the controller settings to factory defaults.

Are you sure you want to reset the controller settings to factory defaults?

Confirm

Use this feature to confirm whether you want to reset the controller settings to factory defaults. The options are **Disabled** and Enabled. Disabling this feature disables Yes. Enabling this feature enables Yes.

► No

Press <Enter> to return to the main menu.

Update Firmware

BACKGROUND OPERATIONS

BACKGROUND OPERATIONS:

The following information is displayed:

- Virtual Drive Operations in Progress
- Drive Operations in Progress

MegaRAID ADVANCED SOFTWARE OPTIONS

MegaRAID ADVANCED SOFTWARE OPTIONS:

The following information is displayed:

- MegaRAID SafeStore
- MegaRAID FastPath

Manage MegaRAID Advanced Software Options

► Manage MegaRAID Advanced Software Options

This menu enables you set the controller's MegaRAID Advanced Software Options. This menu also shows the Advanced Software Options that are active on the controller.

MegaRAID SafeStore (Unlimited)

MegaRAID FastPath (Unlimited)

The following information is displayed:

- SAFE ID
- Serial Number

Activation Key

Enter a 40 alpha-numeric character value.

► Activate

Press <Enter> to see a summary and activate the advanced software options.

► Deactivate All Trial Software

Driver Health Menu

► Driver Health

This feature displays the health information of the drivers installed in your system, including LAN controllers, as detected by the BIOS. Select one and press <Enter> to see the details.

Note: This section is provided for reference only, for the driver health status will differ depending on the drivers installed in your system. It's also based on your system configuration and the environment that your system is operating in.

8.4 Event Logs

Use this menu to configure Event Logs settings.

Note: After making any changes in this section, please be sure to reboot the system for the changes to take effect.

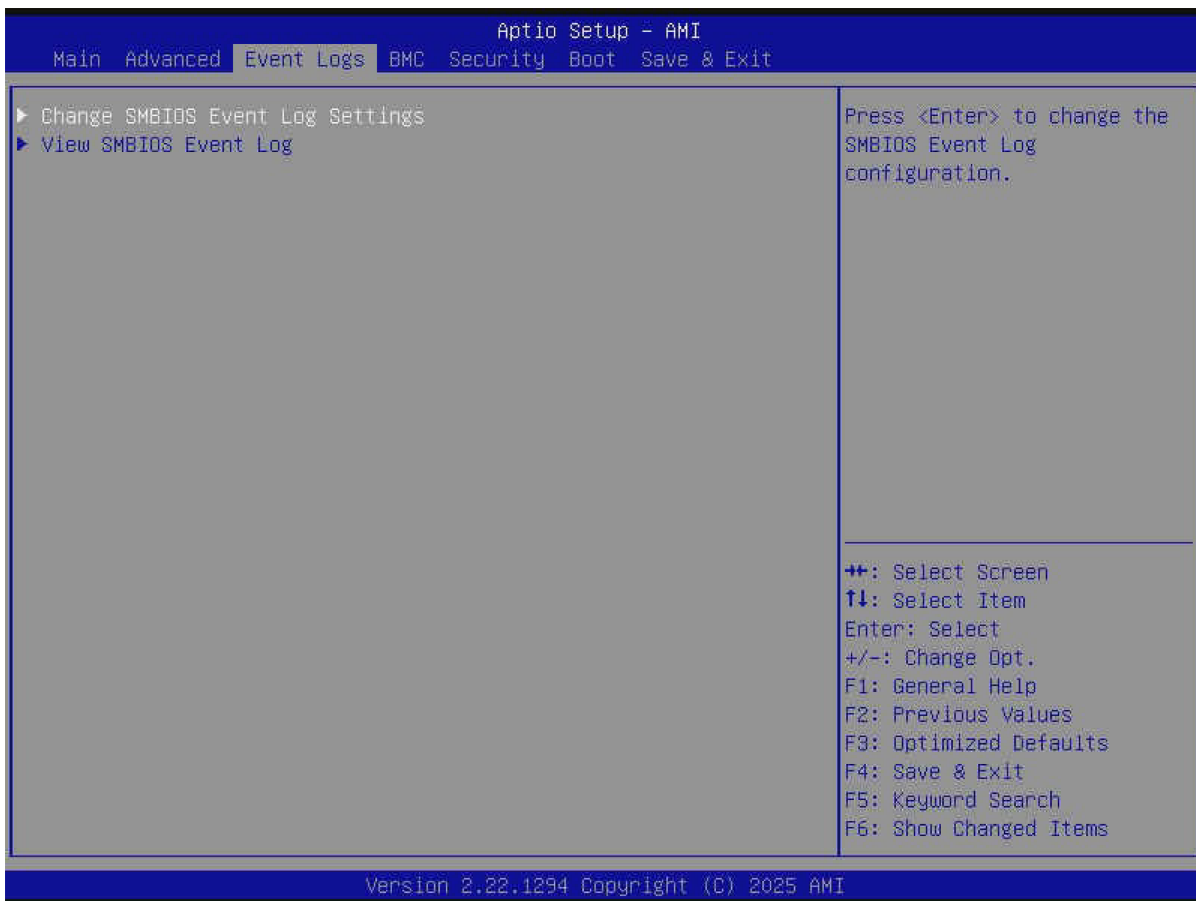


Figure 8-3. Event Logs Screen

▶ Change SMBIOS Event Log Settings

Note: Reboot the system for the changes in this section to take effect.

Enabling/Disabling Options

SMBIOS Event Log

Select Enabled to enable System Management BIOS (SMBIOS) Event Logging during system boot. The options are Disabled and **Enabled**.

Erasing Settings

Erase Event Log (Available when "SMBIOS Event Log" is set to Enabled)

Select No to keep the event log without erasing it upon next system bootup. Select (Yes, Next reset) to erase the event log upon next system reboot. The options are **No**, (Yes, Next reset), and (Yes, Every reset).

When Log is Full (Available when "SMBIOS Event Log" is set to Enabled)

Select Erase Immediately to immediately erase all errors in the SMBIOS event log when the event log is full. Select Do Nothing for the system to do nothing when the SMBIOS event log is full. The options are **Do Nothing** and Erase Immediately.

SMBIOS Event Log Standard Settings

Log System Boot Event (Available when "SMBIOS Event Log" is set to Enabled)

Select Enabled to log system boot events. The options are Enabled and **Disabled**.

MECI (Available when "SMBIOS Event Log" is set to Enabled)

Enter the increment value for the multiple event counter. Enter a number between 1 and 255. The default setting is 1. (MECI is the abbreviation for Multiple Event Count Increment.)

METW (Available when "SMBIOS Event Log" is set to Enabled)

Use this feature to determine how long (in minutes) should the multiple event counter wait before generating a new event log. Enter a number between 0 and 99. The default value is **60**. (METW is the abbreviation for Multiple Event Count Time Window.)

► View SMBIOS Event Log

Use this feature to view the event in the system event log. Select this feature and press <Enter> to view the status of an event in the log. The following information is displayed: DATE / TIME / ERROR CODE / SEVERITY.

8.5 BMC

Use this menu to configure Baseboard Management Console (BMC) settings.

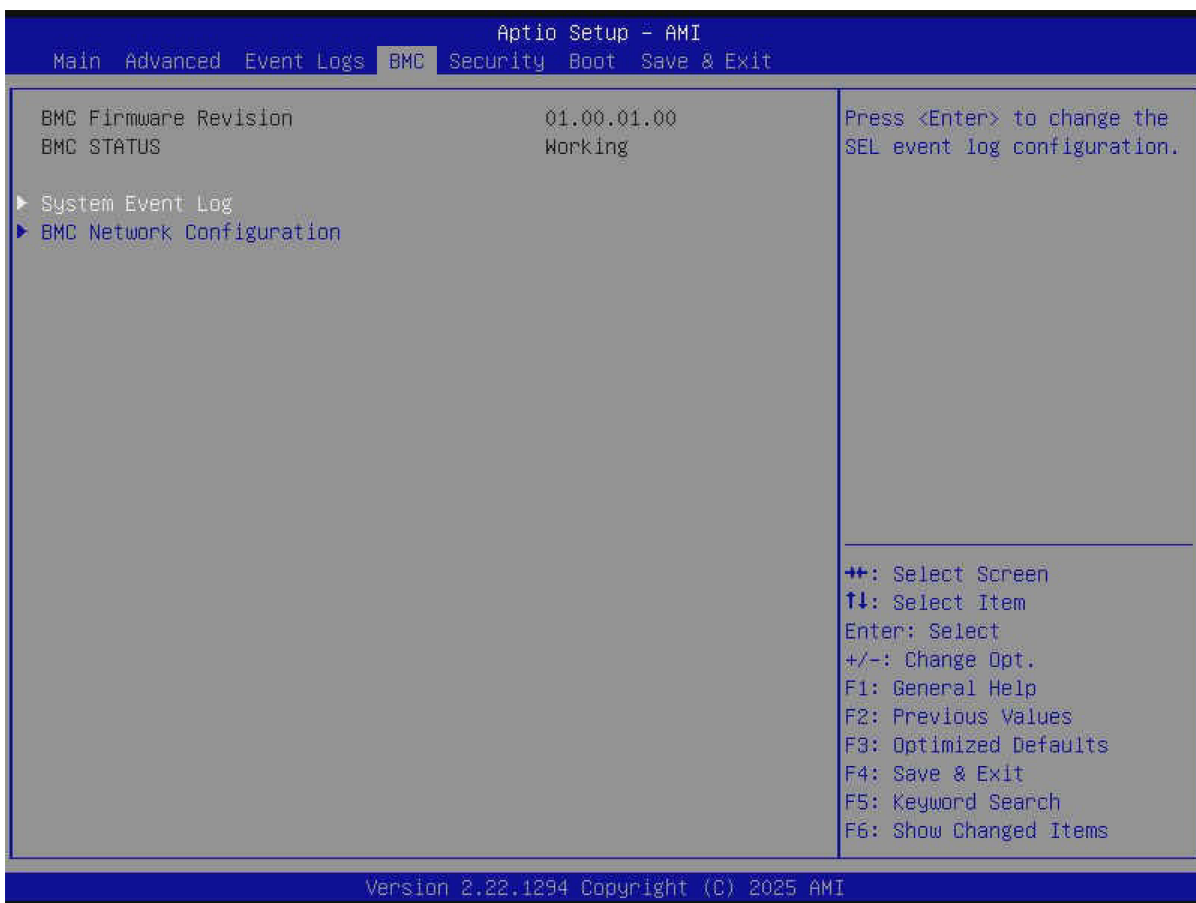


Figure 8-4. BMC Screen

BMC Firmware Revision

This feature indicates the BMC firmware revision used in this system.

BMC STATUS

This feature indicates the status of the BMC firmware installed in this system.

System Event Log Menu

▶ System Event Log

Note: All values changed in this submenu do not take effect until computer is restarted.

Enabling/Disabling Options

SEL Components

Select Enabled to enable all system event logging upon system boot. The options are Disabled and **Enabled**.

Erasing Settings

Erase SEL (Available when "SEL Components" is set to Enabled)

Select (Yes, On next reset) to erase all system event logs upon next system boot. Select (Yes, On every reset) to erase all system event logs upon each system reboot. Select No to keep all system event logs after each system reboot. The options are **No**, (Yes, On next reset), and (Yes, On every reset).

When SEL is Full (Available when "SEL Components" is set to Enabled)

This feature defines what the BIOS should do when the system event log is full. Select Erase Immediately to erase all events in the log when the system event log is full. The options are **Do Nothing** and Erase Immediately.

BMC Network Configuration Menu

► BMC Network Configuration

Update BMC LAN Configuration

Select Yes for the BIOS to implement all IP/MAC address changes upon next system boot. The options are **No** and Yes.

Configure IPv4 Support

BMC LAN Selection

This feature displays the type of the BMC LAN.

BMC Network Link Status:

This feature displays the status of the BMC network link for this system.

Configuration Address Source (Available when "Update BMC LAN Configuration" is set to Yes)

Use this feature to select the source of the IPv4 connection. If Static is selected, note the IP address of the IPv4 connection and enter it to the system manually in the field. If DHCP is

selected, the BIOS will search for a Dynamic Host Configuration Protocol (DHCP) server in the network that is attached to and request the next available IP address for this computer. The options are Static and **DHCP**.

Station IP Address

This feature displays the Station IP address in decimal and in dotted quad form (i.e., 172.29.176.131). It is available for configuration when "Configuration Address Source" above is set to Static.

Subnet Mask

This feature displays the sub-network that this computer belongs to. It is available for configuration when "Configuration Address Source" above is set to Static.

Station MAC Address

This feature displays the Station MAC address for this computer. Mac addresses are six two-digit hexadecimal numbers.

Gateway IP Address

This feature displays the Gateway IP address for this computer. This should be in decimal and in dotted quad form (i.e., 172.29.0.1). It is available for configuration when "Configuration Address Source" above is set to Static.

Configure IPv6 Support

IPv6 Address Status

This feature displays the status of the IPv6 address.

IPv6 Support (Available when "Update BMC LAN Configuration" is set to Yes)

Use this feature to enable IPv6 support. The options are **Enabled** and Disabled.

Configuration Address Source (Available when "IPv6 Support" is set to Enabled)

Use this feature to select the source of the IPv6 connection. If Static Configuration is selected, note the IP address of IPv6 connection and enter it to the system manually in the field. If the other two options are selected, the BIOS will search for a DHCP server in the network that is attached to and request the next available IP address for this computer. The options are Static Configuration, **DHCPv6 Stateless**, and DHCPv6 Stateful.

IPv6 Address ("Static," "DHCPv6 Stateless," or "DHCPv6 Stateful," depending on the option you selected for "Configuration Address Source" above)

This feature displays the station IPv6 address. It is available for configuration when "Configuration Address Source" above is set to Static Configuration.

Prefix Length

This feature displays the prefix length. It is available for configuration when "Configuration Address Source" above is set to Static Configuration.

Gateway IP

This feature displays the IPv6 gateway IP address. It is available for configuration when "Configuration Address Source" above is set to Static Configuration.

Advanced Settings (Available when "Configuration Address Source" is set to DHCPv6 Stateless)

Use this feature to set the DNS server IP. The default setting allows this system to obtain the DNS server IP automatically. The options are **Auto obtain DNS server IP** and Manually obtain DNS server IP.

Preferred DNS server IP (Available when "Advanced Settings" above is set to Manually obtain DNS server IP)

This feature displays the preferred DNS server IP. It can be configured via Redfish.

Alternative DNS server IP (Available when "Advanced Settings" above is set to Manually obtain DNS server IP)

This feature displays the alternative DNS server IP. It can be configured via Redfish.

Configure VLAN Support

VLAN Support (Available when "Update BMC LAN Configuration" is set to Yes)

Use this feature to enable the virtual LAN (VLAN) support. The options are Enabled and Disabled.

VLAN ID (Available when "VLAN Support" is set to Enabled)

Use this feature to create a new VLAN ID. The valid range is 1–4094. The default setting is 1.

8.6 Security

Use this menu to configure the following security settings for the system.

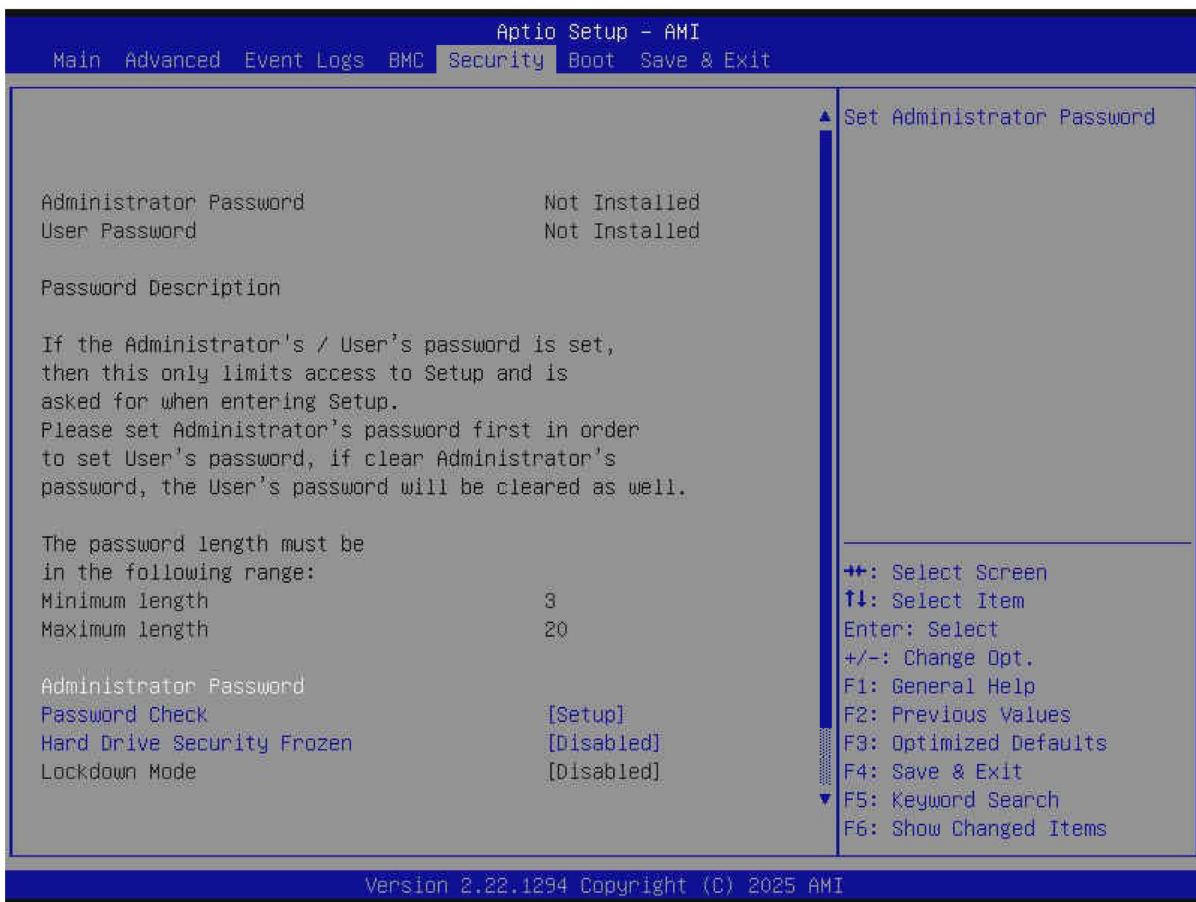


Figure 8-5. Security Screen

Disable Block Sid and Freeze Lock (Available when your storage devices support TCG)

Select Enabled to allow SID authentication to be performed in TCG storage devices. The options are **Disabled** and Enabled.

The following information is displayed:

- Administrator Password
- User Password
- Password Description

Administrator Password

This feature indicates if an administrator password has been installed. Use this feature to set the administrator password, which is required to enter the BIOS Setup utility. The length of the password can be between three and 20 characters long.

User Password (Available when "Administrator Password" has been set)

This feature indicates if a user password has been installed. Use this feature to set the user password which is required to enter the BIOS Setup utility. The length of the password can be between three and 20 characters long.

Password Check

Select Setup for the system to check for a password upon entering the BIOS Setup utility. Select Always for the system to check for the passwords needed at bootup and upon entering the BIOS Setup utility. The options are **Setup** and Always.

Hard Drive Security Frozen

Select Enabled to freeze the Lock Security feature for HDD to protect key data in hard drives from being altered. The options are **Disabled** and Enabled.

Lockdown Mode (Available when the DCMS key is activated)

Select Enabled to support the Lockdown Mode, which prevents the existing data or keys stored in the system from being altered or changed in an effort to preserve system integrity and security. The options are **Disabled** and Enabled.

Supermicro Security Erase Configuration Menu

► Supermicro Security Erase Configuration

Use this submenu to configure the Supermicro-proprietary Security Erase settings. When this submenu is selected, the following information is displayed. Please note that the order of the following information may differ based on the storage devices being detected.

- **HDD Name:** This feature displays the model name of the storage device that is detected by the BIOS.
- **HDD Serial Number:** This feature displays the serial number of the storage device that is detected by the BIOS.
- **Security Mode:** This feature displays the security mode of the storage device that is detected by the BIOS.
- **Estimated Time:** This feature displays the estimate time needed to perform the selected Security Erase features.
- **HDD User Pwd Status:** This feature indicates if a password has been set as a storage device user password, which enables configuring Supermicro Security Erase settings on this storage device.
- **TCG Device Type:** This feature displays the TCG device type detected by the system.

- **Admin Pwd Status:** This feature indicates if a password has been set as a storage device administrator password, which enables configuring Supermicro Security Erase settings on this storage device.

Note: This submenu is available when any storage device is detected by the BIOS. For more information about this feature, refer to our website.

Security Function

Select Set Password to set a storage device user password to enable configuring the security settings on the storage device. Select Security Erase - Password to enter a storage device user password to enable erasing the password and the contents previously stored in the storage device. Select Security Erase - Without Password to use the manufacturer default password "1111111111" as the storage device user password and enable erasing the contents of the storage device by using this default password. The options are **Disabled**, Set Password, Change Password, Clear Password, Security Erase - Password, Security Erase - PSID, and Security Erase - Without Password.

Notes:

- The option of Security Erase - PSID is based on the storage device support. PSID is the abbreviation for Physical Security Identification.
- The options of Change Password and Clear Password are available when "Password" below has been set.
- The option of Set Password is NOT available when "Password" below has been set.

Password

Use this feature to set the storage device user password, which enables configuring the Supermicro Security Erase settings by using this user password.

New Password (Available when "Password" above has been set)

Use this feature to set the new user password for the storage device, which enables configuring the Supermicro Security Erase settings by using this new user password.

HDD Security Configuration Menu

► P4: (Storage device model name)

This submenu is available when the storage device is detected by the BIOS. Select this device. Press <Enter> and the following information is displayed:

- HDD Password Description:
- HDD PASSWORD CONFIGURATION:
- Security Supported:
- Security Enabled:
- Security Locked:
- Security Frozen:
- HDD User Pwd Status:
- HDD Master Pwd Status:

Set User Password (Available when "Security Frozen:" above is No)

Press <Enter> to set the HDD user password.

Secure Boot Menu

► Secure Boot

The following information is displayed:

- System Mode
- Secure Boot

Note: For detailed instructions on configuring Security Boot settings, refer to the Security Boot Configuration User's Guide at <https://www.supermicro.com/support/manuals>.

Secure Boot

Select Enabled to configure Secure Boot settings. The options are **Disabled** and Enabled.

Secure Boot Mode

Use this feature to select the desired secure boot mode for the system. The options are Standard and **Custom**.

► Enter Audit Mode

Select Ok to enter the Audit Mode workflow. It will result in erasing the Platform Key (PK) variables and resetting the system to the Setup/Audit Mode.

Note: This submenu is available when "Secure Boot Mode" is set to Custom.

▶ Enter Deployed Mode / Exit Deployed Mode

Select Ok to reset system to the User Mode or to the Deployed Mode.

Note: This submenu is available when "Secure Boot Mode" is set to Custom.

▶ Key Management

The following information is displayed:

- Vendor Keys

Note: This submenu is available when "Secure Boot Mode" is set to Custom.

Provision Factory Defaults

Select Enabled to install provision factory default settings after a platform reset while the system is in the Setup Mode. The options are **Disabled** and Enabled.

▶ Restore Factory Keys

Select Yes to restore manufacturer default keys to ensure system security. The options are **Yes** and No. Selecting Yes will reset system to the User Mode.

Note: This submenu is available when any secure keys have been installed.

▶ Reset To Setup Mode

This feature resets the system to the Setup Mode. The options are **Yes** and No.

Note: This submenu is available when any secure keys have been installed.

▶ Enroll Efi Image

This feature allows the Efi image to run in the secure boot mode and enroll the SHA256 Hash certificate of a PE image into the Authorized Signature Database (DB).

▶ Export Secure Boot Variables

This feature exports the NVRAM contents of secure boot variables to a storage device. The options are **Yes** and No.

Note: This submenu is available when any secure keys have been installed.

Secure Boot variable / Size / Keys / Key Source

► Platform Key (PK)

Use this feature to enter and configure a set of values to be used as platform firmware keys for the system. These values also indicate the sizes, key numbers, and the sources of the authorized signatures. Select Update to update the platform key.

► Key Exchange Keys (KEK)

Use this feature to enter and configure a set of values to be used as Key Exchange Keys for the system. These values also indicate the sizes, key numbers, and the sources of the authorized signatures. Select Update to update the Key Exchange Keys. Select Append to append the Key Exchange Keys.

► Authorized Signatures (db)

Use this feature to enter and configure a set of values to be used as Authorized Signatures for the system. These values also indicate the sizes, key numbers, and sources of the authorized signatures. Select Update to update the Authorized Signatures. Select Append to append the new Authorized Signatures.

► Forbidden Signatures (dbx)

Use this feature to enter and configure a set of values to be used as Forbidden Signatures for the system. These values also indicate sizes, key numbers, and key sources of the forbidden signatures. Select Update to update the Forbidden Signatures. Select Append to append the Forbidden Signature.

► Authorized TimeStamps (dbt)

Use this feature to set and save the timestamps for the Authorized Signatures, which will indicate the time when these signatures are entered into the system. These values also indicate sizes, keys, and key sources of the authorized timestamps. Select Update to update the Authorized TimeStamps. Select Append to append the Authorized TimeStamps.

► OsRecovery Signatures (dbr)

Use this feature to set and save the Authorized Signatures used for OS recovery. Select Update to update the OsRecovery Signatures. These values also indicate sizes, keys, and key sources of the OsRecovery Signatures. Select Append to append the OsRecovery Signatures.

TCG Storage Security Configuration Menu

▶ (Storage device model name)

Select this device. Press <Enter> and the following information is displayed:

- TCG Storage Security Password Description:
- PASSWORD CONFIGURATION:
- Security Subsystem Class:
- Security Supported:
- Security Enabled:
- Security Locked:
- Security Frozen:
- User Pwd Status:
- Admin Pwd Status:

Note: This submenu is available when the storage device is compliant with TCG specifications.

Set Admin Password

Use this feature to set the administrator password for this storage device.

Set User Password (Available when "Set Admin Password" has been set)

Use this feature to set the user password for this storage device.

Device Reset

Use this feature to reset the password configuration for this storage device.

8.7 Boot

Use this menu to configure Boot settings.

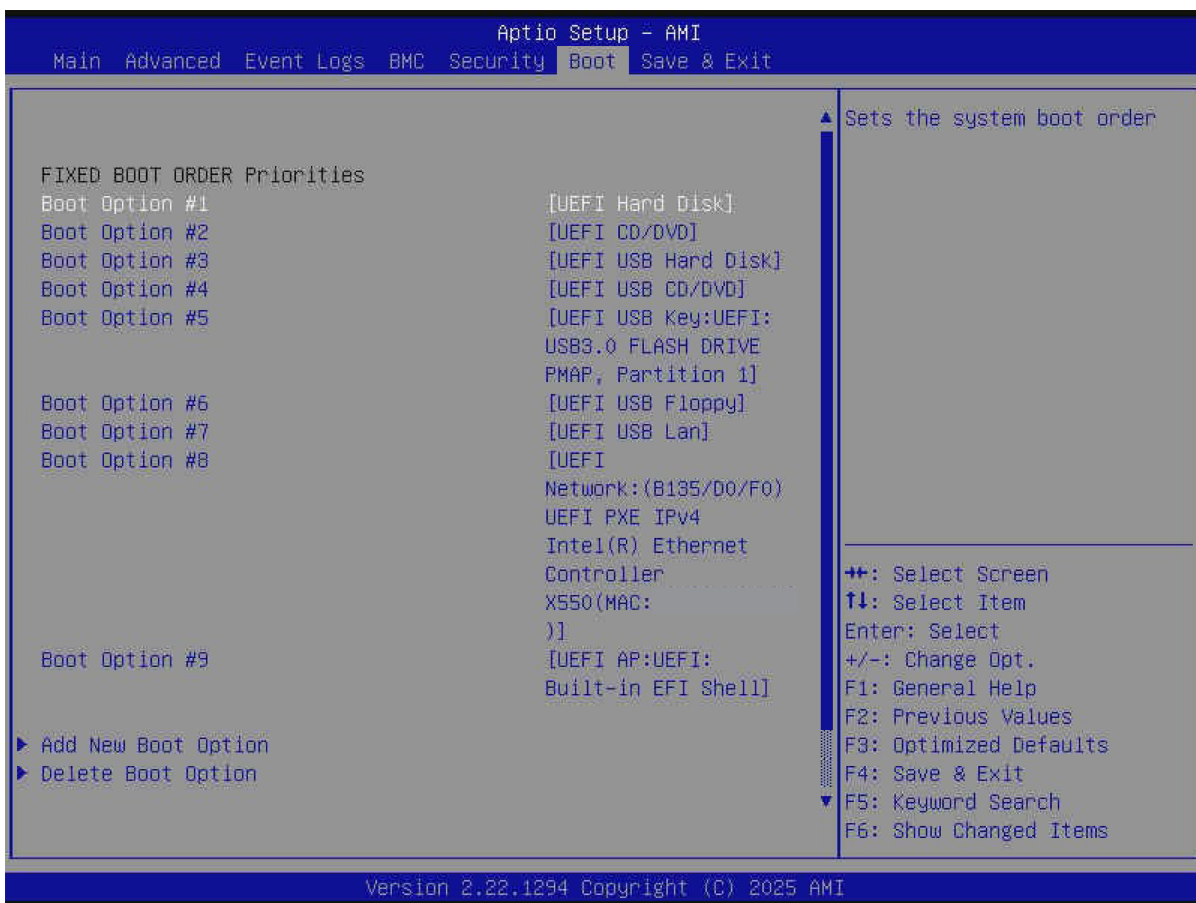


Figure 8-6. Boot Screen

FIXED BOOT ORDER Priorities

Use this feature to prioritize the order of a bootable device from which the system will boot. Press <Enter> on each item sequentially to select the device.

- Boot Option #1 – Boot Option #9

► Add New Boot Option

Use this feature to add a new boot option to the boot priority features for system boot.

Note: This submenu is available when any storage device is detected by the BIOS.

Add boot option

Use this feature to specify the name for the new boot option.

Path for boot option

Use this feature to enter the path for the new boot option in the format fsx:\path\filename.efi.

Boot option File Path

Use this feature to specify the file path for the new boot option.

Create

After setting the name and the file path for the boot option, press <Enter> to create the new boot option in the boot priority list.

▶ Delete Boot Option

Use this feature to select a boot device to delete from the boot priority list.

Delete Boot Option

Use this feature to remove an EFI boot option from the boot priority list.

▶ UEFI NETWORK Drive BBS Priorities

Use this feature to set the system boot order of detected devices.

▶ UEFI Application Boot Priorities

Use this feature to set the system boot order of detected devices.

▶ UEFI USB Key Drive BBS Priorities

Use this feature to set the system boot order of detected devices.

▶ UEFI Hard Disk Drive BBS Priorities

Use this feature to set the system boot order of detected devices.

8.8 Save & Exit

Select Save & Exit from the BIOS Setup screen to configure the settings below.

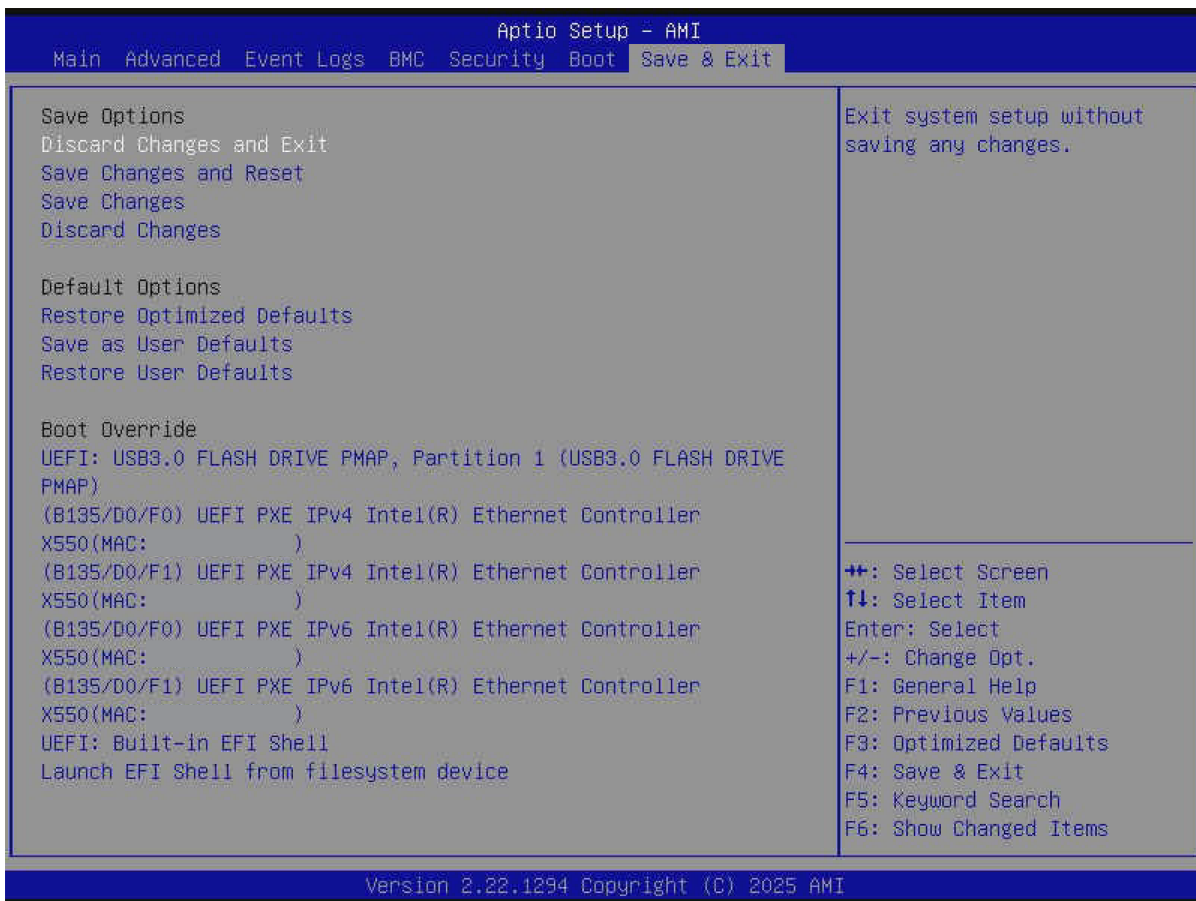


Figure 8-7. Save & Exit Screen

Save Options

Discard Changes and Exit

Use this feature to exit from the BIOS Setup utility without making any permanent changes to the system configuration and reboot the computer.

Save Changes and Reset

On completing the system configuration changes, use this feature to exit the BIOS Setup utility and reboot the computer for the new system configuration parameters to take effect.

Save Changes

On completing the system configuration changes, use this feature to save all changes made. This will not reset (reboot) the system.

Discard Changes

Select this feature and press <Enter> to discard all changes made and return to the BIOS Setup utility.

Default Options**Restore Optimized Defaults**

Select this feature and press <Enter> to load manufacturer optimized default settings, which are intended for maximum system performance but not for maximum stability.

Note: After pressing <Enter>, reboot the system for the changes to take effect, which ensures that this system has the optimized default settings.

Save as User Defaults

Select this feature and press <Enter> to save all changes as the default values specified to the BIOS Setup utility for future use.

Restore User Defaults

Select this feature and press <Enter> to retrieve user-defined default settings that have been saved previously.

Boot Override

Note: Use this section to override the Boot priorities sequence in the Boot menu, and immediately boot the system with a device specified here instead of the one specified in the boot list. This is a one-time boot override.

Launch EFI Shell from filesystem device

Use this feature to launch the EFI shell application (Shell.efi) from one of the available filesystem devices. A filesystem is a virtual, logical, or physical system for organizing, managing, and accessing the files and directories on devices such as SSDs, HDDs, or other storage devices.

Appendix A:

BIOS Codes

For information about BIOS codes for the SSG-542B-DE1CR90/E1CR90/E1CR60 server, refer to the following content.

BIOS Error POST (Beep) Codes

During the Power-On Self-Test (POST) routines, which are performed each time the system is powered on, errors may occur.

Non-fatal errors are those which, in most cases, allow the system to continue the boot up process. The error messages normally appear on the screen.

Fatal errors are those which will not allow the system to continue the boot up process. If a fatal error occurs, you should consult with your system manufacturer for possible repairs.

These fatal errors are usually communicated through a series of audible beeps that can be heard on an external buzzer connected to JD1. The table shown below lists some common errors and their corresponding beep codes encountered by users.

BIOS Beep (POST) Codes		
Beep Code	Error Message	Description
1 beep	Refresh	Circuits have been reset (Ready to power up)
5 short, 1 long	Memory error	No memory detected in system
5 short, 2 long	Display memory read/write error	Video adapter missing or with faulty memory
1 long continuous	System OH	System overheat condition

Additional BIOS POST Codes

The AMI BIOS supplies additional checkpoint codes, which are documented online at <https://www.supermicro.com/support/manuals> ("AMI BIOS POST Codes User's Guide").

For information on AMI updates, refer to <https://www.ami.com/products>.

Appendix B:

Standardized Warning Statements for AC Systems

The following statements are industry standard warnings, provided to warn the user of situations which have the potential for bodily injury. Should you have questions or experience difficulty, contact Supermicro's Technical Support department for assistance. Only certified technicians should attempt to install or configure components.

Read this section in its entirety before installing or configuring components in the Supermicro SSG-542B-DE1CR90/E1CR90/E1CR60 server.

These warnings may also be found on our website at the following page:

https://www.supermicro.com/about/policies/safety_information.cfm

Warning Definition



Warning! This warning symbol means danger. You are in a situation that could cause bodily injury. Before you work on any equipment, be aware of the hazards involved with electrical circuitry and be familiar with standard practices for preventing accidents.

警告の定義

この警告サインは危険を意味します。

人身事故につながる可能性がありますので、いずれの機器でも動作させる前に、電気回路に含まれる危険性に注意して、標準的な事故防止策に精通して下さい。

此警告符号代表危險。

您正处于可能受到严重伤害的工作环境中。在您使用设备开始工作之前，必须充分意识到触电的危险，并熟练掌握防止事故发生的标准工作程序。请根据每项警告结尾的声明号码找到此设备的安全性警告说明的翻译文本。

此警告符號代表危險。

您正處於可能身體可能會受損傷的工作環境中。在您使用任何設備之前，請注意觸電的危險，並且要熟悉預防事故發生的標準工作程序。請依照每一注意事項後的號碼找到相關的翻譯說明內容。

Warnung

WICHTIGE SICHERHEITSHINWEISE

Dieses Warnsymbol bedeutet Gefahr. Sie befinden sich in einer Situation, die zu Verletzungen führen kann. Machen Sie sich vor der Arbeit mit Geräten mit den Gefahren elektrischer Schaltungen und den üblichen Verfahren zur Vorbeugung vor Unfällen vertraut. Suchen Sie mit der am Ende jeder Warnung angegebenen Anweisungsnummer nach der jeweiligen Übersetzung in den übersetzten Sicherheitshinweisen, die zusammen mit diesem Gerät ausgeliefert wurden.

BEWAHREN SIE DIESE HINWEISE GUT AUF.

INSTRUCCIONES IMPORTANTES DE SEGURIDAD

Este símbolo de aviso indica peligro. Existe riesgo para su integridad física. Antes de manipular cualquier equipo, considere los riesgos de la corriente eléctrica y familiarícese con los procedimientos estándar de prevención de accidentes. Al final de cada advertencia encontrará el número que le ayudará a encontrar el texto traducido en el apartado de traducciones que acompaña a este dispositivo.

GUARDE ESTAS INSTRUCCIONES.

IMPORTANTES INFORMATIONS DE SÉCURITÉ

Ce symbole d'avertissement indique un danger. Vous vous trouvez dans une situation pouvant entraîner des blessures ou des dommages corporels. Avant de travailler sur un équipement, soyez conscient des dangers liés aux circuits électriques et familiarisez-vous avec les procédures couramment utilisées pour éviter les accidents. Pour prendre connaissance des traductions des avertissements figurant dans les consignes de sécurité traduites qui accompagnent cet appareil, référez-vous au numéro de l'instruction situé à la fin de chaque avertissement.

CONSERVEZ CES INFORMATIONS.

תקנון הצהרות אזהרה

הצהרות הבאות הן אזהרות על פי תקני התעשייה, על מנת להזהיר את המשתמש מפני חבלה פיזית אפשרית. במידה ויש שאלות או היתקלות בבעיה כלשהי, יש ליצור קשר עם מחלקת תמיכה טכנית של סופרמיקרו. טכנאים מוסמכים בלבד רשאים להתקין או להגדיר את הרכיבים. יש לקרוא את הנספח במלואו לפני התקנת או הגדרת הרכיבים במארזי סופרמיקרו.

الكافة حالة وكي أي تتسبب ف اصابة جسده هذا الزهر ع خطر! اتخذ.
 قبل أي تعول على أي هعدات، كي على علن بالوخاطز ال اجوة عي الزوانز
 الكهزبائ ة

وكي على درا ة بالووارسات النقاء ة لو ع وقع أي حداثث
 استخدم رقن الب إى الو صنص ف ها ة كل تحذ ز للعنثر تزجوتها

안전을 위한 주의사항

경고!

이 경고 기호는 위험이 있음을 알려 줍니다. 작업자의 신체에 부상을 야기 할 수 있는 상태에 있게 됩니다. 모든 장비에 대한 작업을 수행하기 전에 전기회로와 관련된 위험요소들을 확인하시고 사전에 사고를 방지할 수 있도록 표준 작업절차를 준수해 주시기 바랍니다.

해당 번역문을 찾기 위해 각 경고의 마지막 부분에 제공된 경고문 번호를 참조하십시오

BELANGRIJKE VEILIGHEIDSINSTRUCTIES

Dit waarschuwings symbool betekent gevaar. U verkeert in een situatie die lichamelijk letsel kan veroorzaken. Voordat u aan enige apparatuur gaat werken, dient u zich bewust te zijn van de bij een elektrische installatie betrokken risico's en dient u op de hoogte te zijn van de standaard procedures om ongelukken te voorkomen. Gebruik de nummers aan het eind van elke waarschuwing om deze te herleiden naar de desbetreffende locatie.

BEWAAR DEZE INSTRUCTIES

Installation Instructions



Warning! Read the installation instructions before connecting the system to the power source.

設置手順書

システムを電源に接続する前に、設置手順書をお読み下さい。

警告

将此系统连接电源前,请先阅读安装说明。

警告

將系統與電源連接前,請先閱讀安裝說明。

Warnung

Vor dem Anschließen des Systems an die Stromquelle die Installationsanweisungen lesen.

¡Advertencia!

Lea las instrucciones de instalación antes de conectar el sistema a la red de alimentación.

Attention

Avant de brancher le système sur la source d'alimentation, consulter les directives d'installation.

יש לקרוא את הוראות התקנה לפני חיבור המערכת למקור מתח.

اقر إرشادات التركيب قبل توصيل النظام إلى مصدر للطاقة

시스템을 전원에 연결하기 전에 설치 안내를 읽어주십시오.

Waarschuwing

Raadpleeg de installatie-instructies voordat u het systeem op de voedingsbron aansluit.

Circuit Breaker



Warning! This product relies on the building's installation for short-circuit (overcurrent) protection. Ensure that the protective device is rated not greater than: 250 V, 20 A.

サーキット・ブレーカー

この製品は、短絡(過電流)保護装置がある建物での設置を前提としています。

保護装置の定格が250V、20Aを超えないことを確認下さい。

警告

此产品的短路(过载电流)保护由建筑物的供电系统提供,确保短路保护设备的额定电流不大于 250V,20A。

警告

此產品的短路(過載電流)保護由建築物的供電系統提供,確保短路保護設備的額定電流不大於 250V,20A。

Warnung

Dieses Produkt ist darauf angewiesen, dass im Gebäude ein Kurzschluss- bzw. Überstromschutz installiert ist. Stellen Sie sicher, dass der Nennwert der Schutzvorrichtung nicht mehr als: 250 V, 20 A beträgt.

¡Advertencia!

Este equipo utiliza el sistema de protección contra cortocircuitos (o sobrecorrientes) del edificio. Asegúrese de que el dispositivo de protección no sea superior a: 250 V, 20 A.

Attention

Pour ce qui est de la protection contre les courts-circuits (surtension), ce produit dépend de l'installation électrique du local. Vérifiez que le courant nominal du dispositif de protection n'est pas supérieur à :250 V, 20 A.

מוצר זה מסתמך על הגנה המותקנת במבנים למניעת קצר חשמלי. יש לוודא כי

המכשיר המגן מפני הקצר החשמלי הוא לא יותר מ-250V, 20A

هذا المنتج يعتمد على معدات الحماية من الدوائر القصيرة التي تم تثبيتها في

المبنى

تأكد من أن تقييم الجهاز الوقائي ليس أكثر من : 20A, 250V

경고!

이 제품은 전원의 단락(과전류)방지에 대해서 전적으로 건물의 관련 설비에 의존합니다. 보호장치의 정격이 반드시 250V(볼트), 20A(암페어)를 초과하지 않도록 해야 합니다.

Waarschuwing

Dit product is afhankelijk van de kortsluitbeveiliging (overspanning) van uw elektrische installatie. Controleer of het beveiligde apparaat niet groter gedimensioneerd is dan 250V, 20A.

Power Disconnection Warning



Warning! The system must be disconnected from all sources of power and the power cord removed from the power supply module(s) before accessing the chassis interior to install or remove system components (except for hot-swap components).

電源切断の警告

システムコンポーネントの取り付けまたは取り外しのために、シャーシ内部にアクセスするには、システムの電源はすべてのソースから切断され、電源コードは電源モジュールから取り外す必要があります。

警告

在你打开机箱并安装或移除内部器件前,必须将系统完全断电,并移除电源线。

警告

在您打開機殼安裝或移除內部元件前,必須將系統完全斷電,並移除電源線。

Warnung

Das System muss von allen Quellen der Energie und vom Netzanschlusskabel getrennt sein, das von den Spg.Versorgungsteilmodulen entfernt wird, bevor es auf den Chassisinnenraum zurückgreift, um Systemsbestandteile anzubringen oder zu entfernen.

¡Advertencia!

El sistema debe ser disconnected de todas las fuentes de energía y del cable eléctrico quitado de los módulos de fuente de alimentación antes de tener acceso el interior del chasis para instalar o para quitar componentes de sistema.

Attention

Le système doit être débranché de toutes les sources de puissance ainsi que de son cordon d'alimentation secteur avant d'accéder à l'intérieur du châssis pour installer ou enlever des composants de système.

אזהרה מפני ניתוק חשמלי

אזהרה!

יש לנתק את המערכת מכל מקורות החשמל ויש להסיר את כבל החשמלי מהספק לפני גישה לחלק הפנימי של המארז לצורך התקנת או הסרת רכיבים.

يجب فصل انظماو من جميع مصادر انطاقت وإزانت سهك انكهرباء من وحدة امداد انطاقت قيم

انصلل إلى انمناطق انداخييت نههيكم ننتبيج أو إزانت مكنناث الجهاز

경고!

시스템에 부품들을 장착하거나 제거하기 위해서는 새시 내부에 접근하기 전에 반드시 전원 공급장치로부터 연결되어있는 모든 전원과 전기코드를 분리해주어야 합니다.

Waarschuwing

Voordat u toegang neemt tot het binnenwerk van de behuizing voor het installeren of verwijderen van systeem onderdelen, dient u alle spanningsbronnen en alle stroomkabels aangesloten op de voeding(en) van de behuizing te verwijderen

Equipment Installation



Warning! Only authorized personnel and qualified service persons should be allowed to install, replace, or service this equipment.

機器の設置

トレーニングを受け認定された人だけがこの装置の設置、交換、またはサービスを許可されています。

警告

只有经过培训且具有资格的人员才能进行此设备的安装、更换和维修。

警告

只有經過受訓且具資格人員才可安裝、更換與維修此設備。

Warnung

Nur autorisiertes Personal und qualifizierte Servicetechniker dürfen dieses Gerät installieren, austauschen oder warten.

¡Advertencia!

Sólo el personal autorizado y el personal de servicio calificado deben poder instalar, reemplazar o dar servicio a este equipo.

Attention

Seul le personnel autorisé et le personnel de maintenance qualifié doivent être autorisés à installer, remplacer ou entretenir cet équipement.

אזהרה!

יש לאפשר רק צוות מורשה ואנשי שירות מוסמכים להתקין, להחליף או לטפל בצידוד זה

ينبغي السماح فقط للموظفين المعتمدين وأفراد الخدمة المؤهلين بتركيب هذا الجهاز أو استبداله أو صيانته

경고!

승인된 직원과 자격을 갖춘 서비스 담당자만이 이 장비를 설치, 교체 또는 서비스할 수 있습니다.

Waarschuwing

Alleen geautoriseerd personeel en gekwalificeerd onderhoudspersoneel mag deze apparatuur installeren, vervangen of onderhouden.

Rack Stability Hazard



Warning! Stability hazard. The rack may tip over causing serious personal injury. Before extending the rack to the installation position, read the installation instructions. Do not put any load on the slide-rail mounted equipment in the installation position. Do not leave the slide-rail mounted equipment in the installation position.

ファンの警告

安定性に危険があります。ラックが転倒して、重大な人身事故を引き起こす可能性があります。ラックを設置位置まで伸ばす前に、設置手順をお読みください。設置位置にあるスライドレールに取り付けられた機器に負荷をかけないでください。スライドレールに取り付けられた機器を設置位置に放置しないでください。

警告

稳定性危険。机架可能会翻倒，造成严重的人身伤害。在将机架延伸到安装位置之前，请阅读安装说明。请勿在安装位置对滑轨安装的设备施加任何负载。请勿将滑轨安装的设备留在安装位置。

警告

穩定性危險。機架可能會翻倒，造成嚴重的人身傷害。將機架延伸至安裝位置前，請先閱讀安裝說明。請勿在安裝位置的滑軌安裝設備上放置任何負載。請勿將滑軌安裝設備留在安裝位置。

Warnung

Gefahr der Instabilität. Das Rack kann umkippen und schwere Verletzungen verursachen. Lesen Sie die Installationsanweisungen, bevor Sie das Rack in die Einbauposition ausfahren. Belasten Sie die auf den Gleitschienen montierten Geräte nicht in der Einbauposition. Lassen Sie die auf den Gleitschienen montierten Geräte nicht in der Einbauposition.

¡Advertencia!

Peligro de inestabilidad. El rack podría volcarse y causar lesiones personales graves. Antes de extender el rack a la posición de instalación, lea las instrucciones de instalación. No coloque ninguna carga sobre el equipo montado sobre rieles deslizantes en la posición de instalación. No deje el equipo montado sobre rieles deslizantes en la posición de instalación.

Attention

Danger d'instabilité. Le rack peut basculer et provoquer des blessures corporelles graves. Avant d'étendre le rack en position d'installation, lire les instructions d'installation. Ne pas charger l'équipement monté sur rail de glissière en position d'installation. Ne pas laisser l'équipement monté sur rail de glissière en position d'installation.

אזהרה!

סכנת חוסר יציבות

המתלה עלול להתהפך ולגרום לפציעה חמורה

לפני הארכת המתלה למצב ההתקנה, קרא את הוראות ההתקנה

אין להעמיס כל עומס על הציוד המותקן על מסילת ההחלקה במצב ההתקנה

אל תשאיר את הציוד המותקן על מסילת ההחלקה במצב ההתקנה

تحذير!

خطر عدم الاستقرار.

قد ينقلب الرف مسبباً إصابات جسدية خطيرة.

قبل تمديد الرف إلى موضع التركيب، اقرأ تعليمات التركيب.

لا تضع أي حمولة على الجهاز المثبت على سكة الانزلاق في موضع التركيب.

لا تترك الجهاز المثبت على سكة الانزلاق في موضع التركيب.

경고!

안정성 위험. 랙이 넘어져 심각한 개인 부상을 입을 수 있습니다. 랙을 설치 위치까지 확장하기 전에 설치 지침을 읽으십시오. 설치 위치에서 슬라이드 레일 장착 장비에 하중을 가하지 마십시오. 슬라이드 레일 장착 장비를 설치 위치에 두지 마십시오.

Waarschuwing

Gevaar voor instabiliteit. Het rek kan kantelen en ernstig persoonlijk letsel veroorzaken. Lees de installatie-instructies voordat u het rek uitschuift naar de installatiepositie. Plaats geen last op de op de glijrail gemonteerde apparatuur in de installatiepositie. Laat de op de glijrail gemonteerde apparatuur niet in de installatiepositie staan.

Restricted Area



Warning! This unit is intended for installation in restricted access areas. A restricted access area can be accessed only through the use of a special tool, lock and key, or other means of security. (This warning does not apply to workstations).

アクセス制限区域

このユニットは、アクセス制限区域に設置されることを想定しています。

アクセス制限区域は、特別なツール、鍵と錠前、その他のセキュリティの手段を用いてのみ出入りが可能です。

警告

此部件应安装在限制进出的场所，限制进出的场所指只能通过使用特殊工具、锁和钥匙或其它安全手段进出的场所。

警告

此装置僅限安裝於進出管制區域，進出管制區域係指僅能以特殊工具、鎖頭及鑰匙或其他安全方式才能進入的區域。

Warnung

Diese Einheit ist zur Installation in Bereichen mit beschränktem Zutritt vorgesehen. Der Zutritt zu derartigen Bereichen ist nur mit einem Spezialwerkzeug, Schloss und Schlüssel oder einer sonstigen Sicherheitsvorkehrung möglich.

¡Advertencia!

Esta unidad ha sido diseñada para instalación en áreas de acceso restringido. Sólo puede obtenerse acceso a una de estas áreas mediante la utilización de una herramienta especial, cerradura con llave u otro medio de seguridad.

Attention

Cet appareil doit être installée dans des zones d'accès réservés. L'accès à une zone d'accès réservé n'est possible qu'en utilisant un outil spécial, un mécanisme de verrouillage et une clé, ou tout autre moyen de sécurité.

אזור עם גישה מוגבלת

אזהרה!

יש להתקין את היחידה באזורים שיש בהם הגבלת גישה. הגישה ניתנת בעזרת
'כלי אבטחה בלבד (מפתח, מנעול וכד.).

اتخصيص هذه انحدة نترك بُها ف مناطق محظورة تم .

مكن اننصل إن منطقت محظورة فقط من خلال استخداو أداة خاصت،

أو أوس هُت أخري نلاأمما ققم ومفتاح

경고!

이 장치는 접근이 제한된 구역에 설치하도록 되어있습니다. 특수도구, 잠금 장치 및 키, 또는 기타 보안 수단을 통해서만 접근 제한 구역에 들어갈 수 있습니다.

Waarschuwing

Dit apparaat is bedoeld voor installatie in gebieden met een beperkte toegang. Toegang tot dergelijke gebieden kunnen alleen verkregen worden door gebruik te maken van speciaal gereedschap, slot en sleutel of andere veiligheidsmaatregelen.

Battery Handling



CAUTION There is risk of explosion if the battery is replaced by an incorrect type. Replace the battery only with the same or equivalent type recommended by the manufacturer. Dispose of used batteries according to the manufacturer's instructions.

電池の取り扱い

バッテリーを間違ったタイプに交換すると爆発の危険があります。交換する電池はメーカーが推奨する型、または同等のものを使用下さい。使用済電池は製造元の指示に従って処分して下さい。

警告

如果更换的电池类型不正确。请只使用同类电池或制造商推荐的功能相当的电池更换原有电池。请按制造商的说明处理废旧电池。

警告

如果更換的電池類型不正確。請使用製造商建議之相同或功能相當的電池更換原有電池。請按照製造商的說明指示處理廢棄舊電池。

WARNUNG

Es besteht Explosionsgefahr, wenn die Batterie durch einen falschen Typ ersetzt wird. Ersetzen Sie die Batterie nur durch den gleichen oder vom Hersteller empfohlenen Batterietyp. Entsorgen Sie die benutzten Batterien nach den Anweisungen des Herstellers.

ADVERTENCIA

Existe riesgo de explosión si la batería se reemplaza por un tipo incorrecto. Reemplazar la batería exclusivamente con el mismo tipo o el equivalente recomendado por el fabricante. Desechar las baterías gastadas según las instrucciones del fabricante.

ATTENTION

Il existe un risque d'explosion si la batterie est remplacée par un type incorrect. Ne la remplacer que par une pile de type semblable ou équivalent, recommandée par le fabricant. Jeter les piles usagées conformément aux instructions du fabricant.

אזהרה!

קיימת סכנת פיצוץ אם הסוללה תוחלף בסוג שגוי. יש להחליף

את הסוללה בסוג התואם מחברת יצרן מומלצת.

סילוק הסוללות המשומשות יש לבצע לפי הוראות היצרן.

هناك خطر الانفجار إذا تم استبدال البطارية بنوع غير صحيح.

استبدال البطارية

فقط بنفس النوع أو ما يعادلها مما أوصت به الشركة المصنعة

جخلص من البطاريات المسحومة وفقا لتعليمات الشركة الصانعة

경고!

배터리를 잘못된 종류로 교체하면 폭발의 위험이 있습니다. 기존 배터리와 동일하거나 제조사에서 권장하는 동등한 종류의 배터리로만 교체해야 합니다. 제조사의 안내에 따라 사용된 배터리를 처리하여 주십시오.

WAARSCHUWING

Er bestaat explosiegevaar als de batterij wordt vervangen door een verkeerd type. Vervang de batterij slechts met hetzelfde of een equivalent type die door de fabrikant aanbevolen wordt. Gebruikte batterijen dienen overeenkomstig fabrieksvoorschriften afgevoerd te worden.

Redundant Power Supplies



Warning! This unit might have more than one power supply connection. All connections must be removed to de-energize the unit.

冗長電源装置

このユニットは複数の電源装置が接続されている場合があります。

ユニットの電源を切るためには、すべての接続を取り外さなければなりません。

警告

此部件连接的电源可能不止一个，必须将所有电源断开才能停止给该部件供电。

警告

此装置连接的电源可能不只一个，必须切断所有电源才能停止对该装置的供电。

Warnung

Dieses Gerät kann mehr als eine Stromzufuhr haben. Um sicherzustellen, dass der Einheit kein Strom zugeführt wird, müssen alle Verbindungen entfernt werden.

¡Advertencia!

Puede que esta unidad tenga más de una conexión para fuentes de alimentación. Para cortar por completo el suministro de energía, deben desconectarse todas las conexiones.

Attention

Cette unité peut avoir plus d'une connexion d'alimentation. Pour supprimer toute tension et tout courant électrique de l'unité, toutes les connexions d'alimentation doivent être débranchées.

אם קיים יותר מספק אחד

אזהרה!

ליחידה יש יותר מחיבור אחד של ספק. יש להסיר את כל החיבורים על מנת לרוקן

את היחידה.

قد يكون لهذا الجهاز عدة اتصالات بوحدات امداد الطاقة .

يجب إزالة كافة الاتصالات لعزل الوحدة عن الكهرباء

경고!

이 장치에는 한 개 이상의 전원 공급 단자가 연결되어 있을 수 있습니다. 이 장치에 전원을 차단하기 위해서는 모든 연결 단자를 제거해야만 합니다.

Waarschuwing

Deze eenheid kan meer dan één stroomtoevoeraansluiting bevatten. Alle aansluitingen dienen verwijderd te worden om het apparaat stroomloos te maken.

Backplane Voltage



Warning! Hazardous voltage or energy is present on the backplane when the system is operating. Use caution when servicing.

バックプレーンの電圧

システムの稼働中は危険な電圧または電力が、バックプレーン上にかかっています。

修理するには注意ください。

警告

当系统正在进行时,背板上有很危险的电压或能量,进行维修时务必小心。

警告

當系統正在進行時,背板上危險的電壓或能量,進行維修時務必小心。

Warnung

Wenn das System in Betrieb ist, treten auf der Rückwandplatine gefährliche Spannungen oder Energien auf. Vorsicht bei der Wartung.

¡Advertencia!

Cuando el sistema está en funcionamiento, el voltaje del plano trasero es peligroso. Tenga cuidado cuando lo revise.

Attention

Lorsque le système est en fonctionnement, des tensions électriques circulent sur le fond de panier. Prendre des précautions lors de la maintenance.

מתח בפנל האחורי

אזהרה!

קיימת סכנת מתח בפנל האחורי בזמן תפעול המערכת. יש להיזהר במהלך

העבודה.

هناك خطر من التيار الكهربائي أو الطاقة المخزنة على اللوحة

عندما يكون النظام يعمل كه حذرا عند خدمة هذا الجهاز

경고!

시스템이 동작 중일 때 후면판 (Backplane)에는 위험한 전압이나 에너지가 발생 합니다. 서비스 작업 시 주의하십시오.

Waarschuwing

Een gevaarlijke spanning of energie is aanwezig op de backplane wanneer het systeem in gebruik is. Voorzichtigheid is geboden tijdens het onderhoud.

Comply with Local and National Electrical Codes



Warning! Installation of the equipment must comply with local and national electrical codes.

地方および国の電気規格に準拠

機器の取り付けはその地方および国の電気規格に準拠する必要があります。

警告

设备安装必须符合本地与本国电气法规。

警告

設備安裝必須符合本地與本國電氣法規。

Warnung

Die Installation der Geräte muss den Sicherheitsstandards entsprechen.

¡Advertencia!

La instalacion del equipo debe cumplir con las normas de electricidad locales y nacionales.

Attention

L'équipement doit être installé conformément aux normes électriques nationales et locales.

תיאום חוקי החשמל הארצי

אזהרה!

התקנת הציוד חייבת להיות תואמת לחוקי החשמל המקומיים והארציים.

تركيب المعدات الكهربائية يجب أن يمتثل للقوانين المحلية والنظمية المتعلقة

بالكهرباء

경고!

현 지역 및 국가의 전기 규정에 따라 장비를 설치해야 합니다.

Waarschuwing

Bij installatie van de apparatuur moet worden voldaan aan de lokale en nationale elektriciteitsvoorschriften.

Product Disposal



Warning! Ultimate disposal of this product should be handled according to all national laws and regulations.

製品の廃棄

この製品を廃棄処分する場合、国の関係する全ての法律・条例に従い処理する必要があります。

警告

本产品的废弃处理应根据所有国家的法律和规章进行。

警告

本產品的廢棄處理應根據所有國家的法律和規章進行。

Warnung

Die Entsorgung dieses Produkts sollte gemäß allen Bestimmungen und Gesetzen des Landes erfolgen.

¡Advertencia!

Al deshacerse por completo de este producto debe seguir todas las leyes y reglamentos nacionales.

Attention

La mise au rebut ou le recyclage de ce produit sont généralement soumis à des lois et/ou directives de respect de l'environnement. Renseignez-vous auprès de l'organisme compétent.

סילוק המוצר

אזהרה!

סילוק סופי של מוצר זה חייב להיות בהתאם להנחיות וחוקי המדינה.

عند التخلص النهائي من هذا المنتج ينبغي التعامل معه وفقا لجميع القوانين واللوائح الوطنية

경고!

이 제품은 해당 국가의 관련 법규 및 규정에 따라 폐기되어야 합니다.

Waarschuwing

De uiteindelijke verwijdering van dit product dient te geschieden in overeenstemming met alle nationale wetten en reglementen.

Fan Warning



Warning! Hazardous moving parts. Keep away from moving fan blades. The fans might still be turning when you remove the fan assembly from the chassis. Keep fingers, screwdrivers, and other objects away from the openings in the fan assembly's housing



ファンの警告

警告！回転部品に注意。運転中は回転部(羽根)に触れないでください。シャーシから冷却ファン装置を取り外した際、ファンがまだ回転している可能性があります。ファンの開口部に、指、ドライバー、およびその他のものを近づけないで下さい。

警告！

警告！危険的可移動性零件。请务必与转动的风扇叶片保持距离。当您从机架移除风扇装置，风扇可能仍在转动。小心不要将手指、螺丝起子和其他物品太靠近风扇

警告

危險的可移動性零件。請務必與轉動的風扇葉片保持距離。當您從機架移除風扇裝置，風扇可能仍在轉動。小心不要將手指、螺絲起子和其他物品太靠近風扇。

Warnung

Gefährlich Bewegende Teile. Von den bewegenden Lüfterblätter fern halten. Die Lüfter drehen sich u. U. noch, wenn die Lüfterbaugruppe aus dem Chassis genommen wird. Halten Sie Finger, Schraubendreher und andere Gegenstände von den Öffnungen des Lüftergehäuses entfernt.

¡Advertencia!

Riesgo de piezas móviles. Mantener alejado de las aspas del ventilador. Los ventiladores podran dar vuelta cuando usted quite el montaje del ventilador del chasis. Mantenga los dedos, los destornilladores y todos los objetos lejos de las aberturas del ventilador.

Attention

Pieces mobiles dangereuses. Se tenir a l'écart des lames du ventilateur Il est possible que les ventilateurs soient toujours en rotation lorsque vous retirerez le bloc ventilateur du châssis. Prenez garde à ce que doigts, tournevis et autres objets soient éloignés du logement du bloc ventilateur.

אזהרה!

חלקים נעים מסוכנים. התרחק מלהבי המאוורר בפעולה כאשר מסירים את חלקי המאוורר מהמארז, יתכן והמאווררים עדיין עובדים. יש להרחיק למרחק בטוח את האצבעות וכלי עבודה שונים מהפתחים בתוך המאוורר

تحذير! أجزاء متحركة خطيرة. ابتعد عن شفرات المروحة المتحركة من الممكن أن المراوح لا تزال تدور عند إزالة كتلة المروحة من الهيكل يجب إبقاء الأصابع ومفكات البراغي وغيرها من الأشياء بعيدا عن الفتحات في كتلة المروحة.

경고!

움직이는 위험한 부품. 회전하는 송풍 날개에 접근하지 마세요. 새시로부터 팬 조립품을 제거할 때 팬은 여전히 회전하고 있을 수 있습니다. 팬 조립품 외관의 열려있는 부분들로부터 손가락 및 스크류드라이버, 다른 물체들이 가까이 하지 않도록 배치해 주십시오.

Waarschuwing

Gevaarlijk bewegende onderdelen. Houd voldoende afstand tot de bewegende ventilatorbladen. Het is mogelijk dat de ventilator nog draait tijdens het verwijderen van het ventilatorsamenstel uit het chassis. Houd uw vingers, schroevendraaiers en eventuele andere voorwerpen uit de buurt van de openingen in de ventilatorbehuizing.

Power Cable and AC Adapter



Warning! When installing the product, use the provided or designated connection cables, power cables and AC adaptors. Using any other cables and adaptors could cause a malfunction or a fire. Electrical Appliance and Material Safety Law prohibits the use of UL or CSA -certified cables (that have UL/CSA shown on the cord) for any other electrical devices than products designated by Supermicro only.

電源コードとACアダプター

製品を設置する場合、提供または指定および購入された接続ケーブル、電源コードとACアダプターを該当する地域の条例や安全基準に適合するコードサイズやプラグと共に使用下さい。他のケーブルやアダプタを使用すると故障や火災の原因になることがあります。

電気用品安全法は、ULまたはCSA認定のケーブル(UL/CSAマークがコードに表記)を Supermicro が指定する製品以外に使用することを禁止しています。

警告

安装此产品时,请使用本身提供的或指定的或采购的连接线,电源线和电源适配器,包含遵照当地法规和安全要求的合规的电源线尺寸和插头.使用其它线材或适配器可能会引起故障或火灾。除了 Supermicro 所指定的产品,电气用品和材料安全法律规定禁止使用未经 UL 或 CSA 认证的线材。(线材上会显示 UL/CSA 符号)。

警告

安裝此產品時,請使用本身提供的或指定的或採購的連接線,電源線和電源適配器,包含遵照當地法規和安全要求的合規的電源線尺寸和插頭.使用其它線材或適配器可能會引起故障或火災。除了 Supermicro 所指定的產品,電氣用品和材料安全法律規定禁止使用未經 UL 或 CSA 認證的線材。(線材上會顯示 UL/CSA 符號)。

Warnung

Nutzen Sie beim Installieren des Produkts ausschließlich die von uns zur Verfügung gestellten Verbindungskabeln, Stromkabeln und/oder Adapter, die Ihre örtlichen Sicherheitsstandards einhalten. Der Gebrauch von anderen Kabeln und Adapter können Fehlfunktionen oder Feuer verursachen. Die Richtlinien untersagen das Nutzen von UL oder CAS zertifizierten Kabeln (mit UL/CSA gekennzeichnet), an Geräten oder Produkten die nicht mit Supermicro gekennzeichnet sind.

¡Advertencia!

Cuando instale el producto, utilice la conexión provista o designada o procure cables, Cables de alimentación y adaptadores de CA que cumplan con los códigos locales y los requisitos de seguridad, incluyendo el tamaño adecuado del cable y el enchufe. El uso de otros cables y adaptadores podría causar un mal funcionamiento o un incendio. La Ley de Seguridad de Aparatos Eléctricos y de Materiales prohíbe El uso de cables certificados por UL o CSA (que tienen el certificado UL / CSA en el código) para cualquier otros dispositivos eléctricos que los productos designados únicamente por Supermicro.

Attention

Lors de l'installation du produit, utilisez les câbles de connection fournis ou désigné ou achetez des câbles, câbles de puissance et adaptateurs respectant les normes locales et les conditions de sécurité y compris les tailles de câbles et les prises électriques appropriées. L'utilisation d'autres câbles et adaptateurs peut provoquer un dysfonctionnement ou un incendie. Appareils électroménagers et la Loi sur la Sécurité Matériel interdit l'utilisation de câbles certifiés- UL ou CSA (qui ont UL ou CSA indiqué sur le code) pour tous les autres appareils électriques sauf les produits désignés par Supermicro seulement.

AC ימאתמו םיילמשח םילבכ

הרהזא!

ךרוצל ומאתוה וא ושכרנ רשא AC םימאתמו םיקפס, םילבכב שמתשהל שי, רצומה תא םיניקתמ רשאכ לכב שומיש . עקתהו לבכה לש הנוכנ הדימ ללוכ, תוימוקמה תוחיטבה תושירדל ומאתוה רשאו, הנקתהה למשחה ירישכמב שומישה יקוחל סאתהב . ילמשח רצק וא הלקתל םורגל לולע, רחא גוסמ סאתמ וא לבכ לש דוק םהילע עיפומ רשאכ) CSA- ב וא UL - ב םיכסומה םילבכב שמתשהל רוסיא םייק, תוחיטבה יקוחו דבלב Supermicro י"ע סאתוה רשא רצומב קר אלא, רחא ילמשח רצומ לכ רובע (UL/CSA).

תאלבאקלא ארשב مق وأ ؤددمحلا وأ ؤرفوتملا تاليصوتلا مادختساب مق ،جتئملا بيكرت دنع

كلذ يف امب ؤيلحملا ؤمالسلا تابلطتمو نيناوقب ماز تلالا عم ددرتملا رايتلا تالوحمو ؤيناوبرهكلا

قيرح وأ لطح يف ببستي دق برخأ تالوحمو تالباك يا مادختسا .ميلسلا سباقلاو لصوملا مجح .

CSA وأ UL لبق نم ؤدمتعملا تالباكلا مادختسا تادعملاو ؤيناوبرهكلا ؤز هجالل ؤمالسلا نوناق رظحي

Supermicro لبق نم ؤددمحلاو ؤينعملا تاجتئملا ريغ برخأ تادعم يا عم (UL/CSA) ؤمالع لمحت يتلاو .

전원 케이블 및 AC 어댑터

경고! 제품을 설치할 때 현지 코드 및 적절한 굵기의 코드와 플러그를 포함한 안전 요구 사항을 준수하여 제공되거나 지정된 연결 혹은 구매 케이블, 전원 케이블 및 AC 어댑터를 사용하십시오.

다른 케이블이나 어댑터를 사용하면 오작동이나 화재가 발생할 수 있습니다. 전기 용품 안전법은 UL 또는 CSA 인증 케이블 (코드에 UL / CSA가 표시된 케이블)을 Supermicro 가 지정한 제품 이외의 전기 장치에 사용하는 것을 금지합니다.

Stroomkabel en AC-Adapter

Waarschuwing! Bij het aansluiten van het Product uitsluitend gebruik maken van de geleverde Kabels of een andere geschikte aan te schaffen Aansluitmethode, deze moet altijd voldoen aan de lokale voorschriften en veiligheidsnormen, inclusief de juiste kabeldikte en stekker. Het gebruik van niet geschikte Kabels en/of Adapters kan een storing of brand veroorzaken. Wetgeving voor Elektrische apparatuur en Materiaalveiligheid verbied het gebruik van UL of CSA -gecertificeerde Kabels (met UL/CSA in de code) voor elke andere toepassing dan de door Supermicro hiervoor beoogde Producten.

Appendix C:

System Specifications

Processors

Intel® Xeon® 6700/6500-series processors with P-cores or Intel® Xeon® 6700-series processor with E-cores with Socket LGA 4710 E2 and a Thermal Design Power (TDP) of up to 350 W

Chipset

System on Chip

BIOS

512 Mb AMI BIOS® SPI Flash BIOS

ACPI 6.5 or later, Plug and Play (PnP) SPI dual/quad speed support, riser card auto detection support, SMBIOS 3.7.0 or later

Memory

16 DIMM slots, supporting up to 512 GB MRDIMM with speeds up to 8000 MT/s (1DPC), or up to 4 TB of 3DS RDIMM with speeds up to 6400 MT/s (1DPC) or 5200 MT/s (2DPC)

Note: Intel® Xeon® 6700/6500-series processors with P-cores are required to support MRDIMM.

PCI Expansion Slots

One PCIe 5.0 x8 (in x8) half-height, half-length (HHHL) slot

Three PCIe 5.0 x16 (in x16) HHHL slots

Input/Output

LAN: One RJ45 1 GbE Dedicated BMC LAN port

USB: Two USB 3.0 ports (rear)

Video: 1 VGA port

Storage Drives

In addition to configuration-specific drive support, all configurations below feature two motherboard-mounted M.2 PCIe 4.0 x2 NVMe slots (M-key 2280/22110).

Note: NVMe support might require additional storage controller and/or cables; for details, see ["Optional Components" on page 115](#).

For SSG-542B-DE1CR90 only:

Default: 90 top-loading hot-swap 3.5"/2.5" SAS/SATA drive bays

Option A: Two additional internal fixed 2.5" U.2 PCIe 5.0 x4 NVMe drive bays per node

For SSG-542B-E1CR90 only:

Default: 90 top-loading hot-swap 3.5"/2.5" SAS/SATA drive bays

Option A: Four additional rear hot-swap 2.5" U.2 PCIe 5.0 x4 NVMe drive bays

Option B: Two additional internal fixed 2.5" U.2 PCIe 5.0 x4 NVMe drive bays

Note: Separately from Options A and B, the SSG-542B-E1CR90 can support two U.2 NVMe slots (on left side of system rear) instead of the two M.2 NVMe slots mentioned above. These two configurations are mutually exclusive.

For SSG-542B-E1CR60 only:

Default: 60 top-loading hot-swap 3.5"/2.5" SAS/SATA drive bays

Option A: Four additional rear hot-swap 2.5" U.2 PCIe 4.0 x4 NVMe drive bays

Option B: Two additional internal fixed 2.5" U.2 PCIe 5.0 x4 NVMe drive bays

Note: Separately from Options A and B, the SSG-542B-E1CR60 can support two U.2 NVMe slots (on left side of system rear) instead of the two M.2 NVMe slots mentioned above. These two configurations are mutually exclusive.

Motherboard

X14SBSC: Proprietary 10.9" x 14.8" (276.86 x 375.92 mm) (WxL)

Chassis**For SSG-542B-DE1CR90 and SSG-542B-E1CR90:**

CSE-947HTS-R2K63P: 4U rackmount, 17.6" x 6.96" x 43.3" (447 x 177 x 1099 mm) (WxHxD)

For SSG-542B-E1CR60:

CSE-947STS-R2K05P: 4U rackmount, 17.6" x 6.96" x 32" (447 x 177 x 813 mm) (WxHxD)

System Cooling

Six heavy-duty 8 cm fans

One counter-rotating 6 cm fan

Power Supply**For SSG-542B-DE1CR90 and SSG-542B-E1CR90:**

Two 2600 W redundant (1+1) Titanium Level (96%) power supplies

For SSG-542B-E1CR60:

Two 2000 W redundant (1+1) Titanium Level (96%) power supplies

Operating Environment

Operating temperature: 10°C to 35°C (50°F to 95°F)

Non-operating temperature: -40°C to 70°C (-40°F to 158°F)

Operating relative humidity: 8% to 90% (non-condensing)

Non-operating relative humidity: 5% to 95% (non-condensing)

Regulatory Compliance

FCC, ICES, CE, UKCA, VCCI, RCM, NRTL, CB

Certified Safety Models

Certified as compliant with UL or CSA:

For SSG-542B-DE1CR90 and SSG-542B-E1CR90: 947H-R26X14 or 947S-R20X14

For SSG-542B-E1CR60: 947S-R20X14

Perchlorate Warning

California Best Management Practices Regulations for Perchlorate Materials: This Perchlorate warning applies only to products containing CR (Manganese Dioxide) Lithium coin cells. Perchlorate Material-special handling may apply. See

<https://www.dtsc.ca.gov/hazardouswaste/perchlorate>

Applied Directives, Standards**Directives:**

EMC/EMI: 2014/30/EU (EMC Directive)
Electromagnetic Compatibility Regulations 2016
FCC Part 15 Subpart B
ICES-003
VCCI-CISPR 32
AS/NZS CISPR 32
CISPR 32
CISPR 35
BS/EN 55032
BS/EN 55035
BS/EN 61000-3-2
BS/EN 61000-3-3
BS/EN 61000-4-2
BS/EN 61000-4-3
BS/EN 61000-4-4
BS/EN 61000-4-5
BS/EN 61000-4-6
BS/EN 61000-4-8
BS/EN 61000-4-11

Environment:

Delegated Directive (EU) 2015/863
Directive 2011/65/EU (RoHS)
REACH Regulation EC 1907/2006
WEEE Directive 2012/19/EU
California Proposition 65

Product Safety:

2014/35/EU (LVD Directive)
UL/CSA 62368-1 (USA and Canada)
Electrical Equipment (Safety) Regulations 2016
IEC/BS/EN 62368-1

この装置は、クラスA機器です。この装置を住宅環境で使用すると電波妨害を引き起こすことがあります。この場合には使用者が適切な対策を講ずるよう要求されることがあります。

VCCI – A

Appendix D:

General Data Center Environmental Specifications

Particulate Contamination Specifications

Air filtration: Data centers must be kept clean to Class 8 of ISO 14644-1 (ISO 2015). The air entering the data center should be filtered with a MERV 11 filter or better. The air within the data center should be continuously filtered with a MERV 8 filter or better.

Conductive dust: Air should be free of conductive dust, zinc whiskers, or other conductive particles.

Corrosive dust: Air should be free of corrosive dust.

Gaseous Contamination Specifications

Copper coupon corrosion rate: <300 Å/month per class G1 as defined by ANSI.ISA71.04-2013, reference by ASHRAE TC 9.9

Silver coupon corrosion rate: <200 Å/month per class G1 as defined by ANSI.ISA71.04-2013, reference by ASHRAE TC 9.9

Note: If testing with silver or copper coupons results in values less than 200 Å/month or 300 Å/month, respectively, then operating up to 70% relative humidity (RH) is acceptable. If the testing shows corrosion levels exceed these limits, then catalyst type pollutants are probably present and RH should be driven to 50% or lower.